

# LUMISERVE



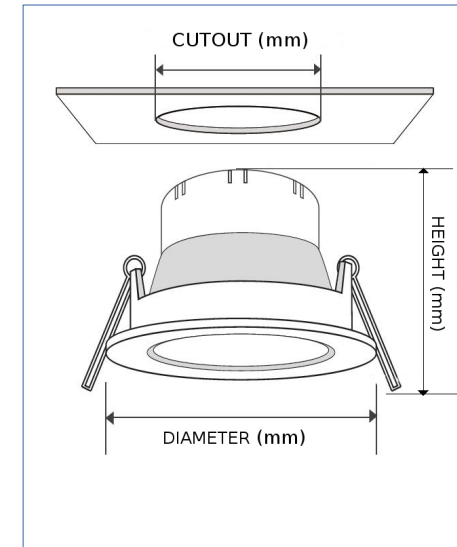
## LED DOWN LIGHTS

[www.lumiserve.in](http://www.lumiserve.in)

### Recessed Round shape LED Down Lights :

#### Technical Specifications:

Input Voltage : AC 220-240 V, 50/60Hz  
 Driver Type : High Performance, Constant Current  
 P.F >= 0.9  
 Surge Protection: 2.5 KV  
 CCT Available: 3000K / 4000K / 6500K  
 CRI: > 80 Ra  
 LED Life: 50,000 Burning Hours  
 Optics : High Efficiency Reflector  
 Accessories : With Driver and Mounting Springs  
 Material: Aluminium Body + Reflector  
 Warranty: 2 years



Power	CCT	Lumens*	Cutout Dimensions (mm)	Outer Dimensions (Diameter x Height)(mm)	Product Code
3W	3000K 4000K 6500K	300 lm	Ø55	85 X 14	LS-DL-3W
5W		500 lm	Ø70	120 X 14	LS-DL-5W
10W		1000 lm	Ø90	120 X 14	LS-DL-10W
15W		1500 lm	Ø120	165 X 14	LS-DL-15W
30W		3000 lm	Ø140	165 X 14	LS-DL-30W

\* Note: Due to constant improvement in technology, the above specifications may be subject to change without prior notice.