



Main Features:

- ✓ Inputs Thermocouple/ RTD/ mA/ Vdc (Dedicated)
- ✓ 3½ Digit 7 Segment LED Display
- ✓ Highly Accurate
- ✓ Cold Junction Compensated
- ✓ External Zero & Span Adjustment Provision
- ✓ Adjustable Hysteresis With Internal Pot
- ✓ 1 or 2 Set points & Relay O/Ps With NO, NC, COM Contacts.

Operation

The instrument's front panel consist of a 3½ digit 7- segment display with 14.3mm RED FNDs. The display normally indicates process value, and can be switched to show the set value by push buttons provided for this purpose. Set point adjustment is by multi turn pots. Probe failure indication by displaying ±1 indication. Optional 4-20mA re-transmission signal can be ordered for recording purpose or remote signal transmission to PLC/ DCS/ DAS systems.

Calibration / Hysteresis Adjustment

Calibration is by multi turn potentiometers, accessible from back. It is calibrated by giving it input from a standard source, & adjusting the zero (z) & span (s) pots. Similarly, for adjusting on-off relay differential (hysteresis), pots are provided inside.

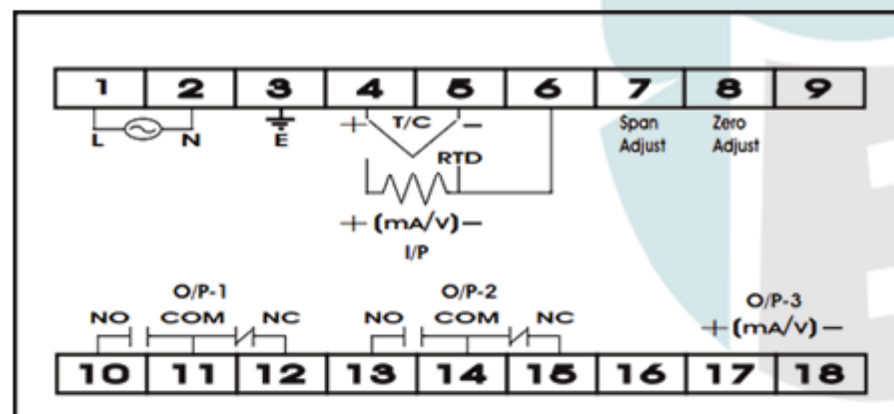
Specification

Accuracy	: 0.25% FS ±1 Digit
Display	: 3½ Digits, 7Segment RED FND, IN14.3mm Height.
Power Supply	: 220 VAC ±10%, 50Hz.
Retransmission Signal	: 0/4-20mA or 0/1-5 VDC Proportional To Input (On Order)
Enclosure	: ABS, 96X96X110 mm (WHD), or 72X72X110mm, with 2 Mounting Clamps.
Environmental Operating Conditions	: Ambient Temperature 50° C, Humidity 90% Rh. max.
Control/ Alarm Function	: 1 Or 2 Set-Points (DUAL or DOUBLE) Relay (On Order)
Control/ Alarm Type	: High or Low Fail-Safe Function (Relays Energized or De-Energized).
Relay Property	: NO-C-NC Relay Contacts, Rated 1A or 5A, 240V, For Resistive Loads. External Fuses Recommended.

Input/ Range Chart (for Odering Information Purpose)

Input Type	Range Limit	Resolution
Pt-100 RTD (3Wire)	-199.9°C to +199.9° C	0.1° C
Pt-100 RTD (3Wire)	0°C to +199.9° C	0.1° C
Pt-100 RTD (3Wire)	0°C to +400° C	1.0° C
Fe-Const Thermocouple (ANSI J)	0°C to +600° C	1.0° C
Cr-Al Thermocouple (ANSI K)	0°C to +1200° C	1.0° C
Pt-PtRh (13%) Thermocouple (ANSI R)	0°C to +1600° C	1.0° C
Pt-PtRh (10%) Thermocouple (ANSI S)	0°C to +1750° C	1.0° C

Back Terminal Connection



Ordering Information for Model Selection

DTC 80	1	2	3	4	5	6	7	8
	No. of Set Point	Input	Resolution	Output 1	Output 2	Output 3	Enclosure Size (LxWxB)	Enclosure Material
	1' Single O/P	J' "J" Type T/C	1' for 0.1° C	Y' for relay Contact	Y' for relay Contact	I' for Current	9' 96x96x110mm	P' for Plastic
	2' Double O/P	K' "J" Type T/C	2' for 1.0° C	#' for NONE	#' for NONE	V' for Voltage	7' 72x72x110mm	M' for Metal
		R' "J" Type T/C				#' for NONE		
		S' "J" Type T/C						
		"Pt" "Pt-100" Type RTD						
DTC 80	1	K	2	Y	#	I	9	P
	No. of Set Point	Input	Resolution	Output 1	Output 2	Output 3	Enclosure Size (LxWxB)	Enclosure Material
	1' Single O/P	K' "J" Type T/C	2' for 1.0° C	Y' for relay Contact	#' for NONE	I' for Current	9' 96x96x110mm	P' for Plastic