



Main Features:

- ✓ 3½ Digit 7 Segment LED Display
- ✓ Highly Accurate
- ✓ Cold Junction Compensated
- ✓ Auto Linearization
- ✓ External Zero & Span Adjustment Provision

Operation

The instrument's front panel consists of a 3½ digit 7-segment display with 14.3mm red FNDs. The display indicates process value. Probe failure indication by displaying ± 1 indication. Optional 4-20mA re-transmission signal can be ordered for recording purpose or remote signal transmission to PLC / DCS / DAS systems.

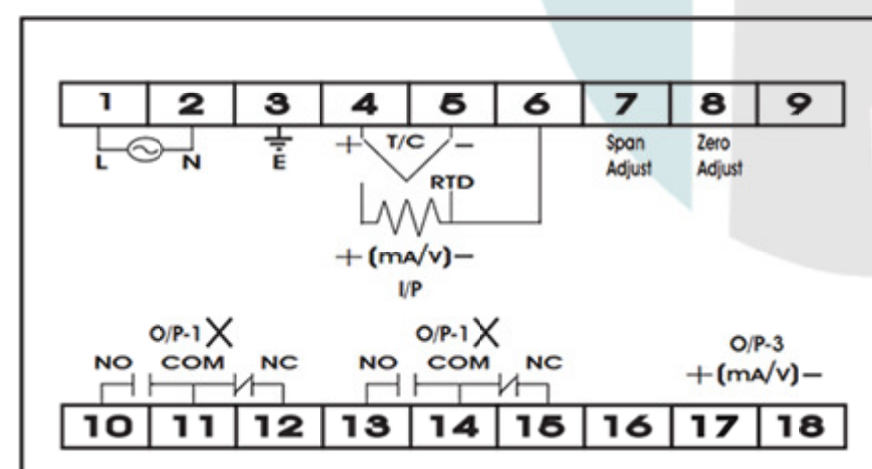
Specification

Accuracy	: ±0.25% FS ±1Digit
Display	: 3½ Digit 7 Segment RED FND, IN14.3mm Height.
Power Supply	: 220 VAC ±10%, 50Hz
Retransmission Signal	: 0/4-20mA or 0/1-5 VDC Proportional to Input (On Order)
Enclosure	: ABS, 96X96X110mm (WHD), or 72X72X110mm, with Two Mounting Clamps.
Environmental Operating Conditions	: Ambient Temperature 50° C, Humidity 90% Rh. max.

Input/ Range Chart (for Oding Information Purpose)

Input Type	Range Limit	Resolution
Pt-100 RTD (3Wire)	-199.9°C to +199.9° C	0.1° C
Pt-100 RTD (3Wire)	0°C to +199.9° C	0.1° C
Pt-100 RTD (3Wire)	0°C to +400° C	1.0° C
Fe-Const Thermocouple (ANSI J)	0°C to +600° C	1.0° C
Cr-Al Thermocouple (ANSI K)	0°C to +1200° C	1.0° C
Pt-PtRh (13%) Thermocouple (ANSI R)	0°C to +1600° C	1.0° C
Pt-PtRh (10%) Thermocouple (ANSI S)	0°C to +1750° C	1.0° C

Back Terminal Connection



Ordering Information for Model Selection

DTI 801	1	2	3	4	5	6	7
	Input	Resolution	Output 1	Output 2	Output 3	Enclosure Size (LxWxB)	Enclosure Material
	J "J" Type T/C K "K" Type T/C R "R" Type T/C S "S" Type T/C Pt "Pt-100" Type RTD -100	1 for 0.1° C 2 for 1.0° C	# for NONE	# for NONE	I for Current V for Voltage # for NONE	9 96x96x110mm 7 72x72x110mm	P for Plastic M for Metal

DTI 801	J	2	#	#	I	9	P
(example)	Input	Resolution	Output 1	Output 2	Output 3	Enclosure Size (LxWxB)	Enclosure Material
	J "J" Type T/C	2 for 1.0° C	# for NONE	# for NONE	I for Current	9 96x96x110mm	P for Plastic