



Main Features:

- ✓ Low Cost
- ✓ Single Tank Two Level Controller
- ✓ Adjustable Sensitivity
- ✓ Suitable For Conductive Liquid

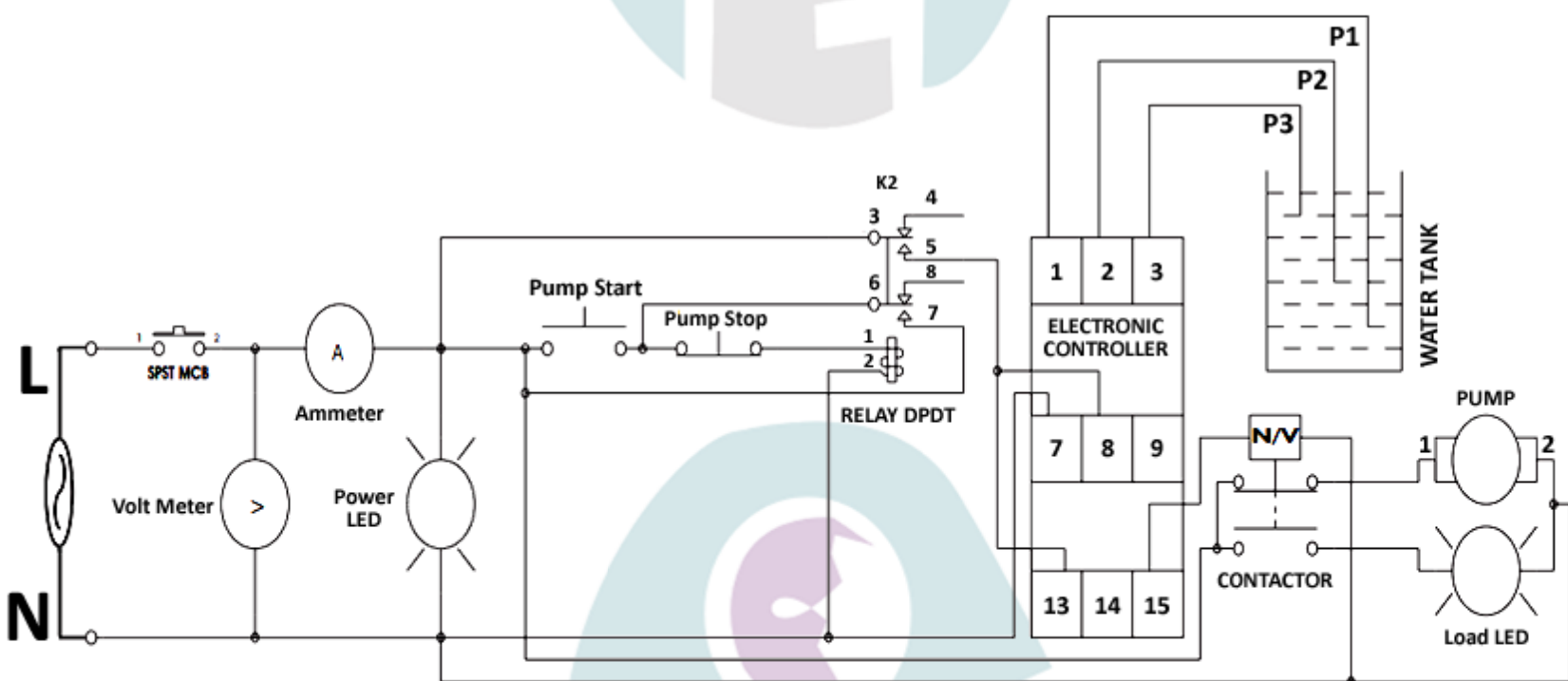
Operation

The instrument operates on electrical conductivity principle for controlling the pump operation automatically at two desired water level in the overhead tank or underground water tank / borewell. Here we provide 3 nos. of probe (P1, P2 & P3). P1 probe always stay at the bottom end of the tank, is called reference probe. Probe P2 is used for lower level sensing & probe P3 is used for upper level sensing. Here we used a power contactor for pump actuation, a volt meter for incoming voltage display, an ammeter for load current display, a MCB for over current tripping, a power on display indicating led & a load indication led.

Specification

Auxiliary Supply	: 220 VAC ±10%, 50Hz.
Sensitivity	: 1 KOhms to 200 KOhms
Trip Time Delay	: Less Than 1 Sec
Resetting	: Automatic
Environmental Operating Conditions	: Ambient Temperature 50° C, Humidity 90% Rh. max.
Enclosure	: Powder Coated Panel, 300x350x140mm (WHD) With Two Mounting Clamps

Internal Panel Wiring Diagram



Terminal Connection Diagram

