



Woltmann Water Meters

50mm to 300mm (2"to 12")



C
O
L
D
V
E
R
S
I
O
N



(50 mm - 300 mm)

H
O
T
V
E
R
S
I
O
N



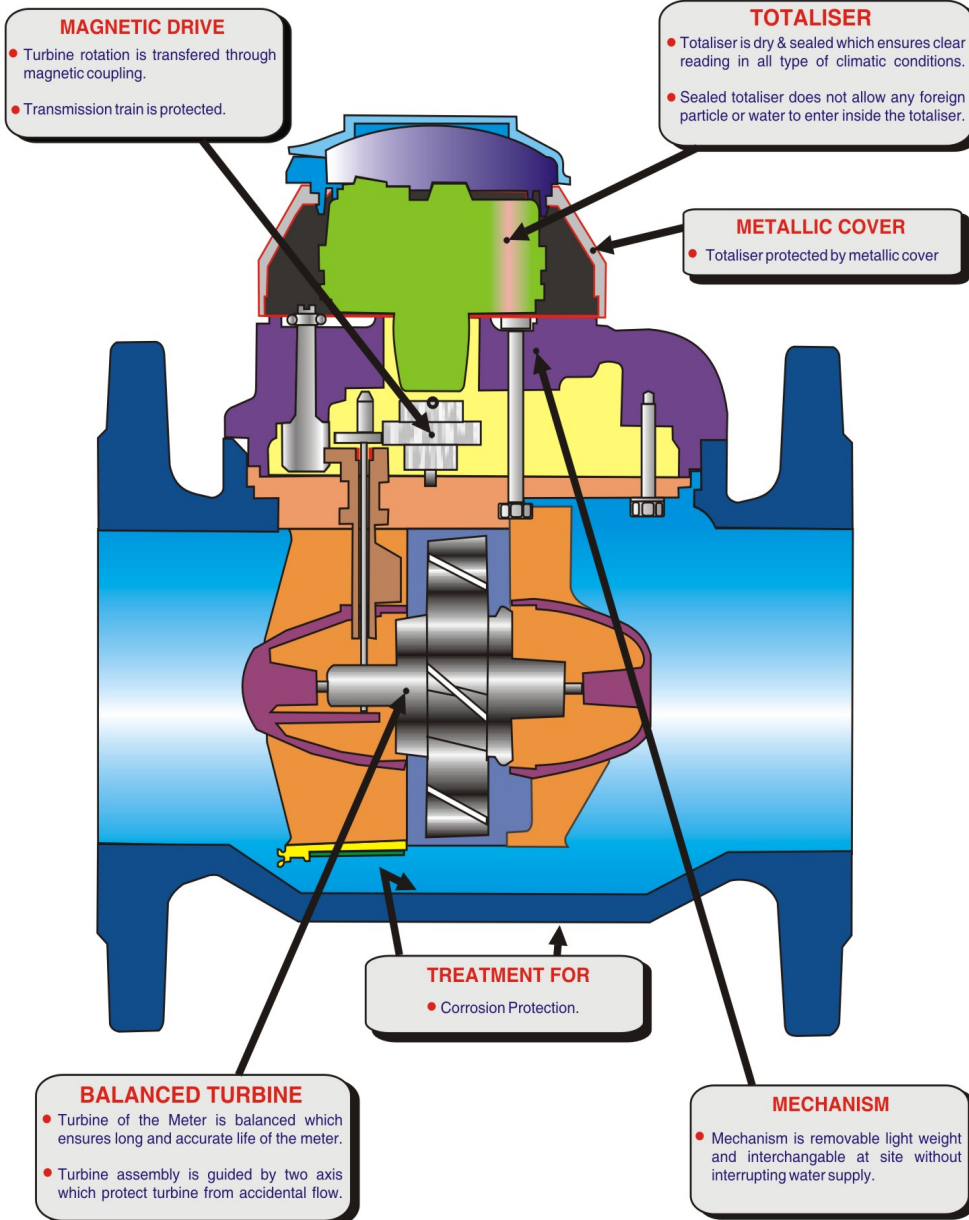
(50 mm - 200 mm)

P
U
L
S
E
V
E
R
S
I
O
N



(50 mm - 300 mm)

**Woltmann water meter
ISO Class-B
horizontal helix
removable mechanism
magnetic drive**



FEATURES

A removable mechanism type
Woltmann Water Meter
with magnetic drive
and vacuum sealed register.

STANDARDS

Conforms to ISO 4064, Class-B.
EEC Marked (on demand)

APPLICATION

Water Distribution Network
Industrial / Commercial Water Supply

- Leak proof and sealed totaliser
- Magnetic drive
- Repairable without interrupting water supply
- Removable mechanism ensures easy maintenance
- Totaliser protected by metallic cover.
- Reliable sensitive metrology and low pressure loss..

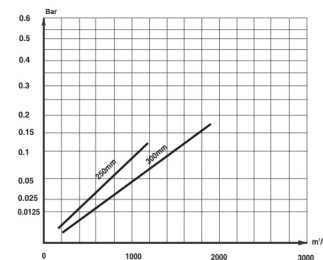
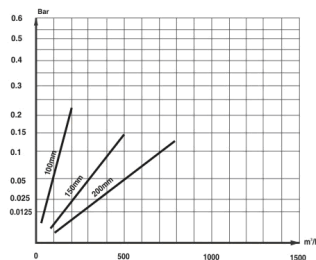
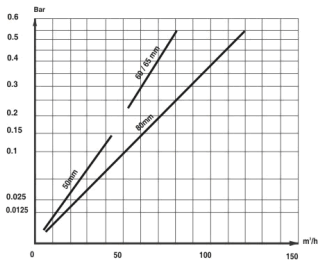
OPTIONS

- Hot water meters (<90°C)
- Pulse output water meters.

METROLOGICAL PERFORMANCE:

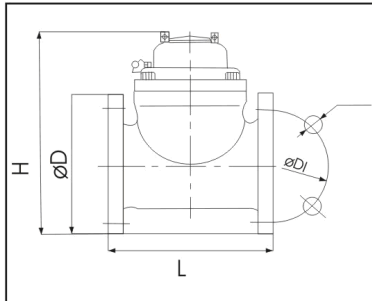
Size of meter		Acc(%)	50 mm	80 mm	100mm	150mm	200mm	250mm	300mm
Minimum flow Q min	m ³ /h	±5	0.45	1.20	1.80	4.50	7.50	12.00	18.00
Transitional flow Qt	m ³ /h	±2	3	8	12	30	50	80	120
Nominal flow Qn	m ³ /h	±2	15	40	60	150	250	400	600
Maximum flow Q max	m ³ /h	±2	30	80	120	300	500	800	12
Minimum Reading	m ³		0.0002	0.0002	0.0002	0.002	0.002	0.002	0.002
Maximum Reading	m ³		999999	999999	999999	9999999	9999999	9999999	9999999
Temperature Suitability	°C		50°C						
Working Pressure	Mpa		≤1.6 MPa						

HEAD LOSS CURVES



DIMENSIONS

Size of meter	50 mm	80 mm	100 mm	150 mm	200 mm	250 mm	300 mm
Length (L) mm	200	225	250	300	350	450	500
Height (H) mm	260	280	290	320	364	470	495
Weight kg	10.6	15.4	18.6	31.6	46



FLANGE DETAILS

Size of meter	50 mm	80 mm	100 mm	150 mm	200 mm	250 mm	300 mm
Bolt Circle (øD) mm	125	160	180	240	295	355	410
Dia of Flange hole	19	19	19	23	23	28	28
Number of Bolts	4	8 (4)	8	8	8 (12)	12	12
Flange outer dia (øD) mm	165	165	220	285	340

INSTALLATION :

FILTERS: We strongly recommend the installation of a filter upstream of the water meter to protect the mechanism.

FLOW STRAIGHTNER : If flow straightner is not provided a straight length of 14D and 10D of the pipe dia must be provided on the upstream and the downstream side of the water meter.



NXL FLOW INSTRUMENTS

No 22,Chikkankahalli Road,II Cross,Behind Essae Inpd Compound,
Bommanahalli Industrial Area,Bangalore-560 068
Ph :0091 80 25732069,65713357 Tele-Fax:0091 80 25734854
Email:nxlinstruments@yahoo.com
WWW.nxlflowinstruments.com

Authorised Dealer / Agent: