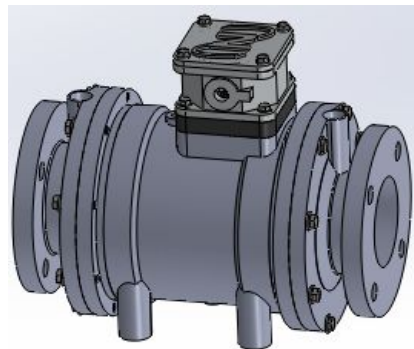
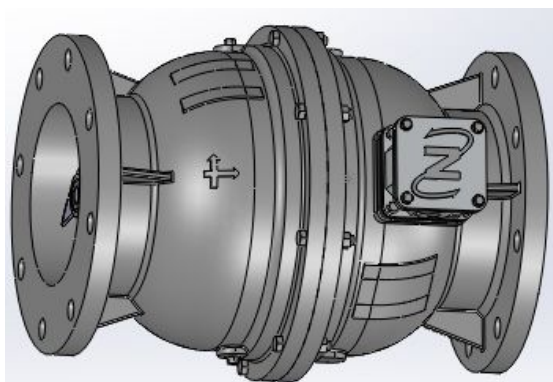


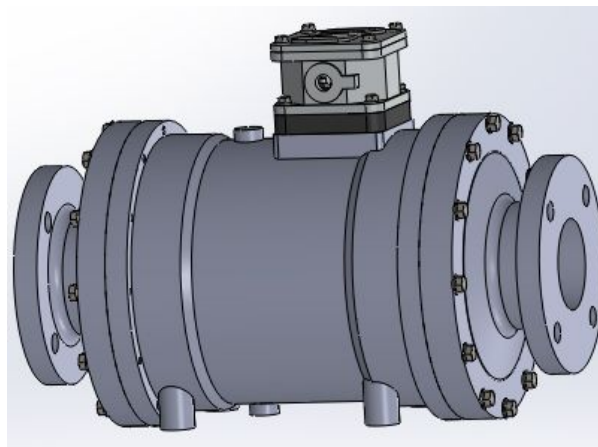
**Model:4105**



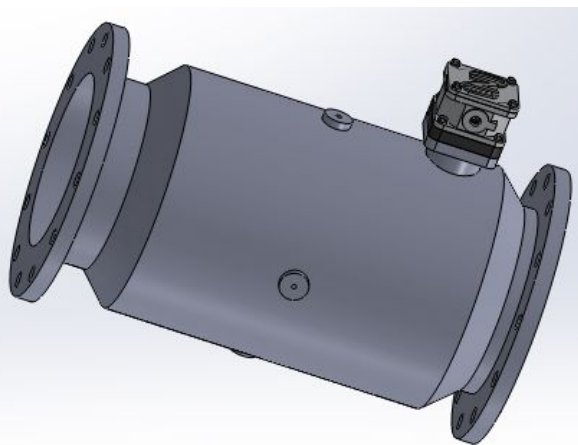
**Model: TD3**



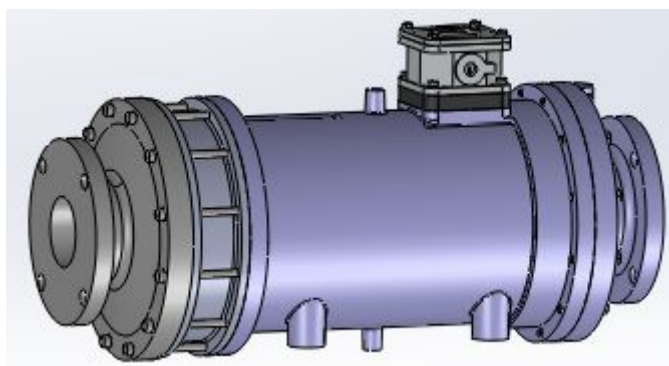
**Model:4120/4150**



**Model: TD 7.5**



**Model:41250**



**Model: TD 15**



STANDARD FEATURES			OPTIONAL FEATURES		
<ul style="list-style-type: none"> <li>GLANDLESS Monoblock</li> <li>Frictionless Bearings</li> <li>2pole to 4/6 pole speed-as required</li> <li>230 / 415 Volts, 1 PH &amp; 3 PH, 50 Hz/60Hz</li> <li>'F' class Insulation</li> <li>Pedestal (Foot) / Flange Mounted</li> <li>IP-55 PROTECTION</li> </ul>			<ul style="list-style-type: none"> <li>'H' class Insulation</li> <li>Non-Ferrous Impeller for Centrifugal Pumps</li> <li>Special Bearings</li> <li>Voltage range - as required</li> <li>IP-67 PROTECTION</li> </ul>		
Model	Motor Hp	Design in LPM	Total Head in Mt.	Suction	Delivery
3115- 1 Ph	1.5	400	7.3	76	65
3120	2.0	112 to 385	15 to 4.6	38	38
3130	3.0	112 to 500	18 to 8	38	38
3143	4.3	750 to 1200	11 to 7.5	100	100
3175	7.5	830 to 2250	20 to 7.5	150	150
31100	10	2700	7	150	150
4105	0.5	300	2.5	80	80
4120-1	2.0	1800	2.5	150	150
4120-2	2.0	800	2.5	150	150
4120-3 (1P)	2.0	800	2.5	150	150
4130-1	3.0	900	5.8	150	150



4130-2	3.0	1800	3.0	150	150
4150-3	5.0	2700	2.5	200	200
4150-4	5.0	3400	3.0	200	200
4150-5	5.0	4500	3.0	200	200
4150 -3H	3	2700	2.5	200	200
41250	5.0	4500	3.0	250	250
TD 3	3.0	700	10.8	80	80
TD 3 – 1P	1.5	400	8.0	80	80
TD 3 -4	4.3	1000	10.0	80	80
TD 7.5	6.3	1000	1.83Bar	80	80
TD 7.5-5-1	5.0	1100	10.0	100	100
TD 15	15.0	960	3.3 Bar	100	100
3130 FMV	3.0	40	15.0	50	38
3150 FMV	5.0	100	15.0	50	38
3175 FMV	7.5	170	15.0	65	38
31100 FMV	10.0	200	15.0	65	38



**Model: 3115 F , 3143 F ,3175 F,31100 F Flange Mounted**

**3115 P , 3143 P ,3175 P,31100 P Pedestal**



**Model: 3130 FM V,3150 FM V,3175 FM V &**

**31100 FMV**



**Model: 3120 F & 3130 F Flange Mounted**

**3120 P & 3130 P Pedestal**

---

**Unit 1: No 22, Chikkanahalli Road, IInd Cross, Bommanahalli Industrial Area, Bangalore-560 068**

**Unit 2 : No. 4, Sy No 63/1, Jwalamala Indl Area, Bagat Singh Rd, Kodichikkanahalli Main Rd,  
Bommanahalli Indl Area, Bangalore-560 068**

**Ph :0091 80 65713357 Mobile:9341250460,9164542404**

**Email:nxlinstruments@yahoo.com ,WWW.nxlflow.in**