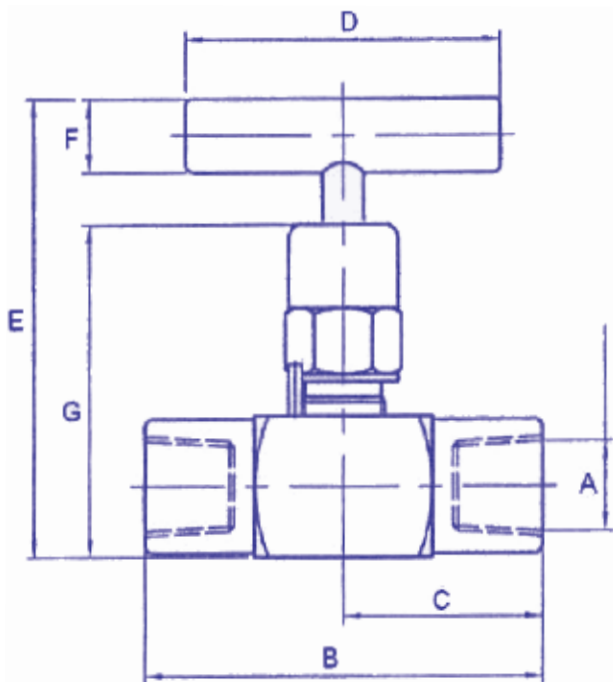
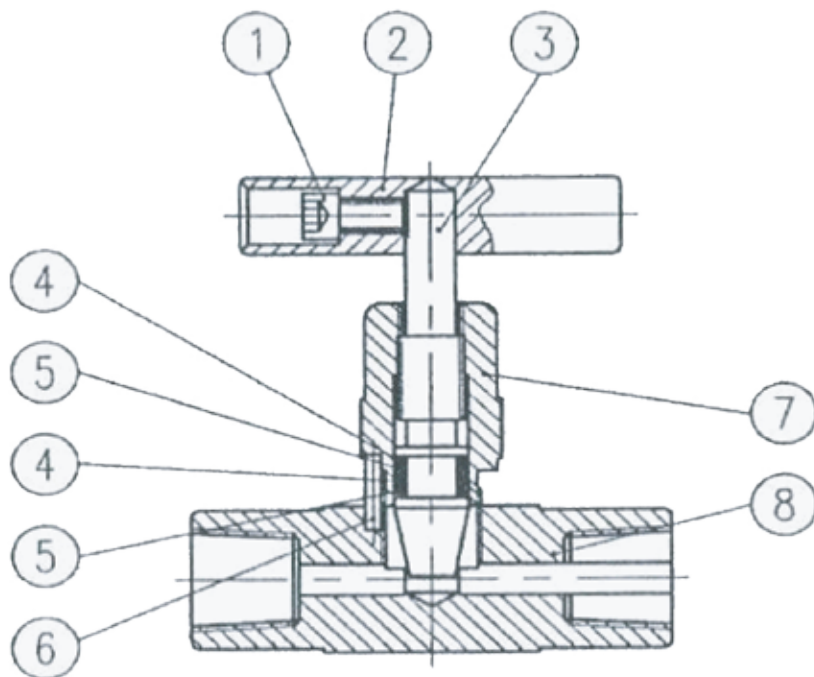


## CARBON STEEL F X F MINI NEEDLE VALVE SERIES: MCH



### SPECIFICATIONS

**RATED TO 6,000 PSI**  
**CARBON STEEL CONSTRUCTION**  
**VITON PACKING AND SEALS**  
**WORKING TEMPERATURE - 20 DEG F TO 200 DEG F**  
**THREADS CONFORM TO ASME B1.20.1**  
**NACE MR0175**

ITEM	MATERIAL	
1	Handle Fixing Screw	CARBON STEEL
2	Handle	CARBON STEEL
3	Stem	SS 316
4	Back Up Ring	Teflon
5	O - Ring	Viton
6	Bonnet Lock Pin	CARBON STEEL
7	Bonnet	CARBON STEEL
8	Body	CARBON STEEL

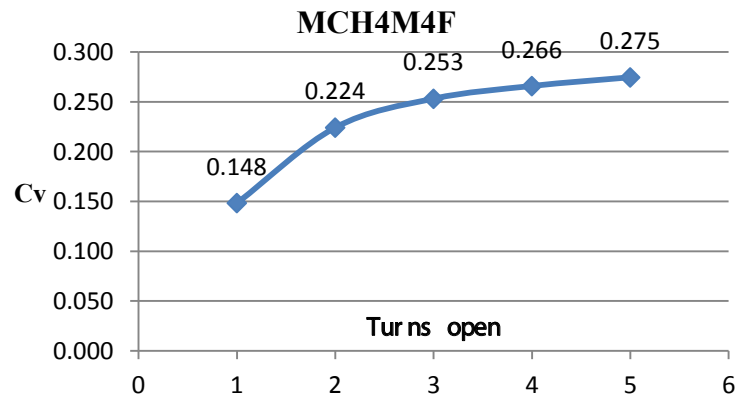
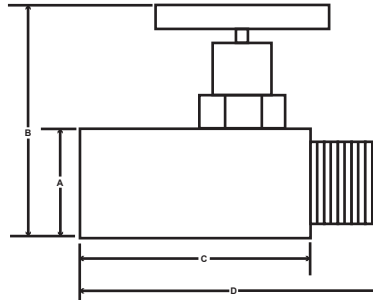
### DIMENSIONS

NPS	PART #	STYLE	WEIGHT	A	B	C	D	E	F	G
1/4"	MCH4F4F	F X F	0.71	PT 1/8	2.28"	1.14"	1.81"	2.44"	0.39"	1.77"

*\* Due to the continuous development of our products, design or construction may change without prior notice*



## CARBON STEEL M X F MINI NEEDLE VALVE SERIES: MCH



### SPECIFICATIONS

**RATED TO 6,000 PSI**  
**CARBON STEEL CONSTRUCTION**  
**VITON PACKING AND SEALS**  
**WORKING TEMPERATURE - 20 DEG F TO 200 DEG F**  
**THREADS CONFORM TO ASME B1.20.1**  
**NACE MR0175**

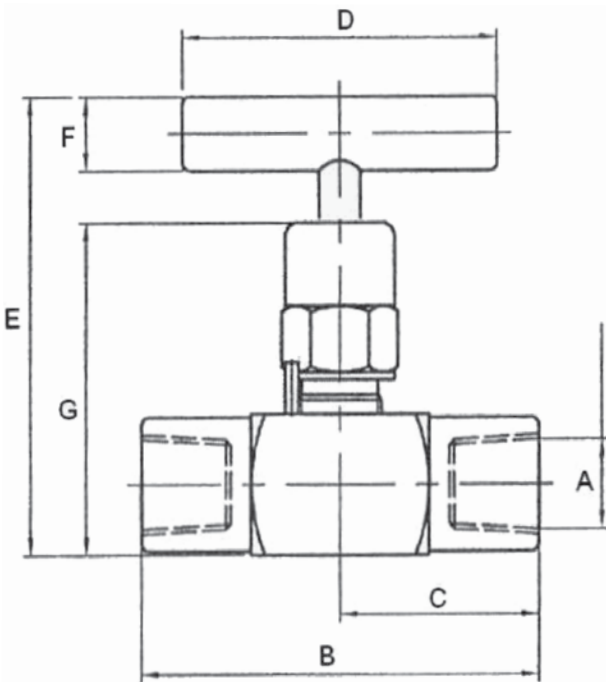
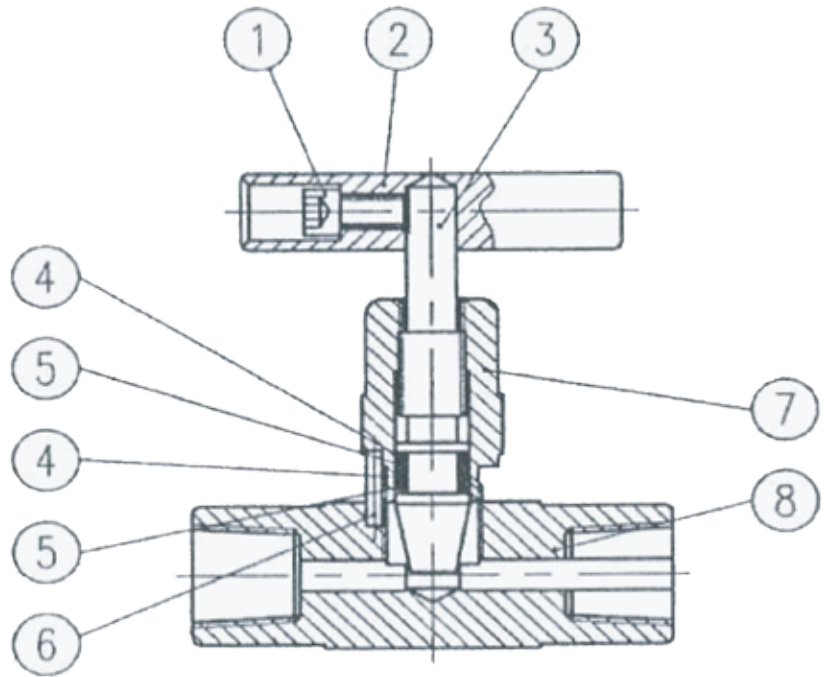
	ITEM	MATERIAL
1	Handle Fixing Screw	CARBON STEEL
2	Handle	CARBON STEEL
3	Stem	SS 316
4	Back Up Ring	Teflon
5	O - Ring	Viton
6	Bonnet Lock Pin	CARBON STEEL
7	Bonnet	CARBON STEEL
8	Body	CARBON STEEL

### DIMENSIONS

NPS	PART #	STYLE	WEIGHT	PT	A	B	C	D
1/4"	MCH4M4F	M X F	0.71	1/8"	.75"	2.37"	1.65"	2.31"

\* Due to the continuous development of our products, design or construction may change without prior notice

## STAINLESS STEEL F X F MINI NEEDLE VALVE SERIES: MSH



### SPECIFICATIONS

**RATED TO 6,000 PSI**  
**STAINLESS STEEL CONSTRUCTION**  
**VITON PACKING AND SEALS**  
**WORKING TEMPERATURE - 20 DEG F TO 200 DEG F**  
**THREADS CONFORM TO ASME B1.20.1**  
**NACE MR0175**

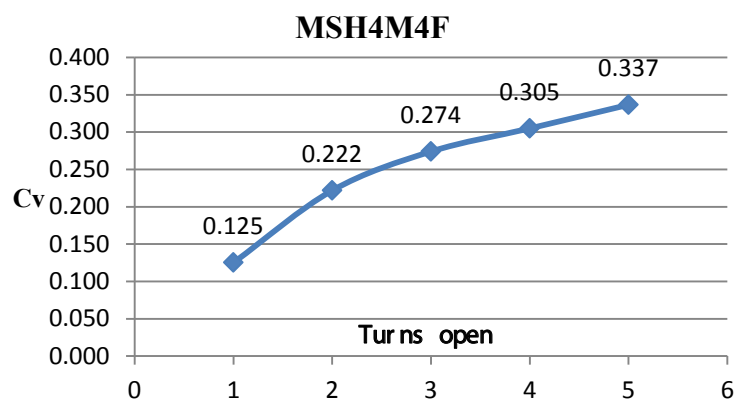
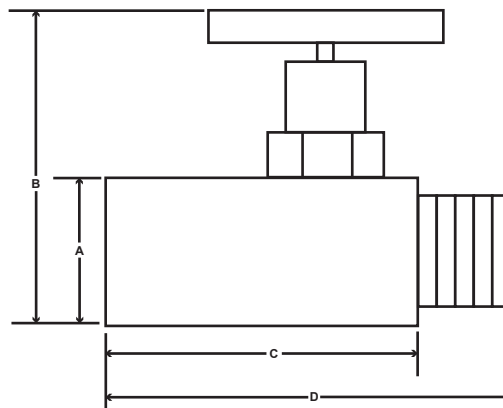
ITEM	MATERIAL	
1	Handle Fixing Screw	SS 320
2	Handle	SS 303
3	Stem	SS 316
4	Back Up Ring	Teflon
5	O - Ring	Viton
6	Bonnet Lock Pin	SS 303
7	Bonnet	SS 316
8	Body	SS 316

### DIMENSIONS

NPS	PART #	STYLE	WEIGHT	A	B	C	D	E	F	G
1/4"		F X F	0.71	PT 1/8	2.28"	1.14"	1.81"	2.44"	0.39"	1.77"

*\* Due to the continuous development of our products, design or construction may change without prior notice*

## STAINLESS STEEL M X F MINI NEEDLE VALVE SERIES: MSH



### SPECIFICATIONS

**RATED TO 6,000 PSI**  
**STAINLESS STEEL CONSTRUCTION**  
**VITON PACKING AND SEALS**  
**WORKING TEMPERATURE -20 DEG F TO 200 DEG F**  
**THREADS CONFORM TO ASME B1.20.1**  
**AVAILABLE IN MxM, MxF AND FXF**  
**NACE MR0175**

PART	MATERIAL
T-HANDLE	303 STAINLESS STEEL
STEM	304 STAINLESS STEEL
BONNET	316 STAINLESS STEEL
VALVE BODY	316 STAINLESS STEEL

### DIMENSIONS

NPS	PART #	STYLE	WEIGHT	PT	A	B	C	D
1/4"	MSH4M4F	M X F	0.71	1/8"	.75"	2.37"	1.65"	2.31"

*\* Due to the continuous development of our products, design or construction may change without prior notice*