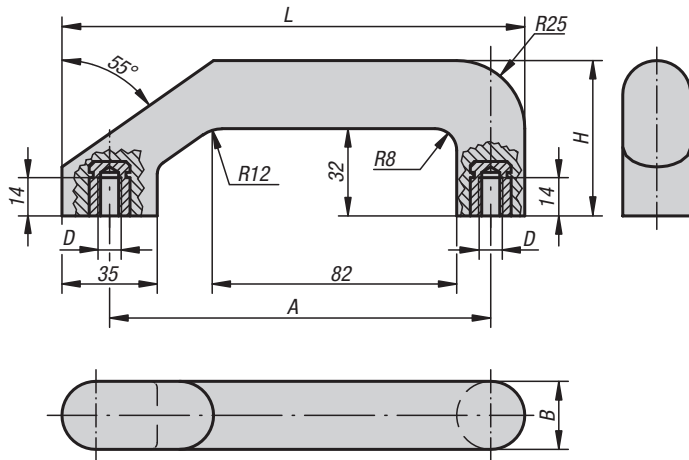


Pull handles, tubular handles, recessed handles



Pull handles



Material:
Duroplast PF 31, black.
Bushing brass or galvanized steel.

Version:
High-gloss polished.

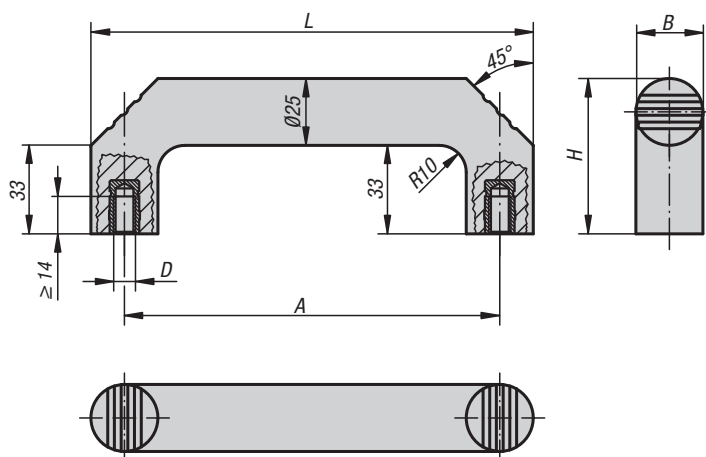
Sample order:
K0187.101

Assembly:
From the rear.

KIPP Pull handles

Order No.	Bushing	A	B	D	H	L	Load capacity N
K0187.101	brass	140	25	M8	57	170	300
K0187.201	steel	140	25	M8	57	170	300

Pull handles



Material:
Duroplast PF 31, black.
Bushing brass or galvanized steel.

Version:
High-gloss polished.

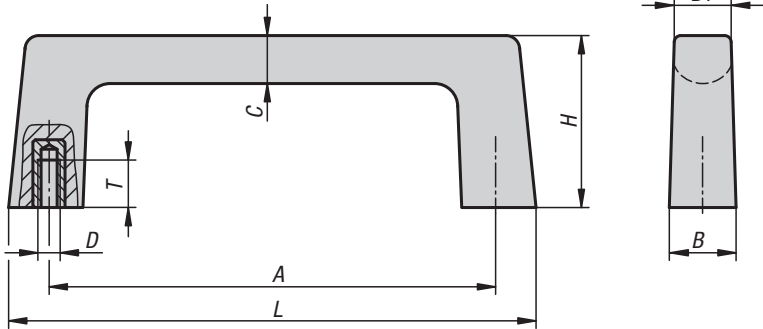
Sample order:
K0188.114008

Assembly:
From the rear.

KIPP Pull handles

Order No.	Bushing	A	B	D	H	L	Load capacity N
K0188.114008	brass	140	25	M8	58	165	500
K0188.214008	steel	140	25	M8	58	165	500

Pull handles



Material:
Duroplast FS 31.
Threaded insert steel.

Version:
black.

Sample order:
K1074.11005

Note for ordering:
Fastening screws included.

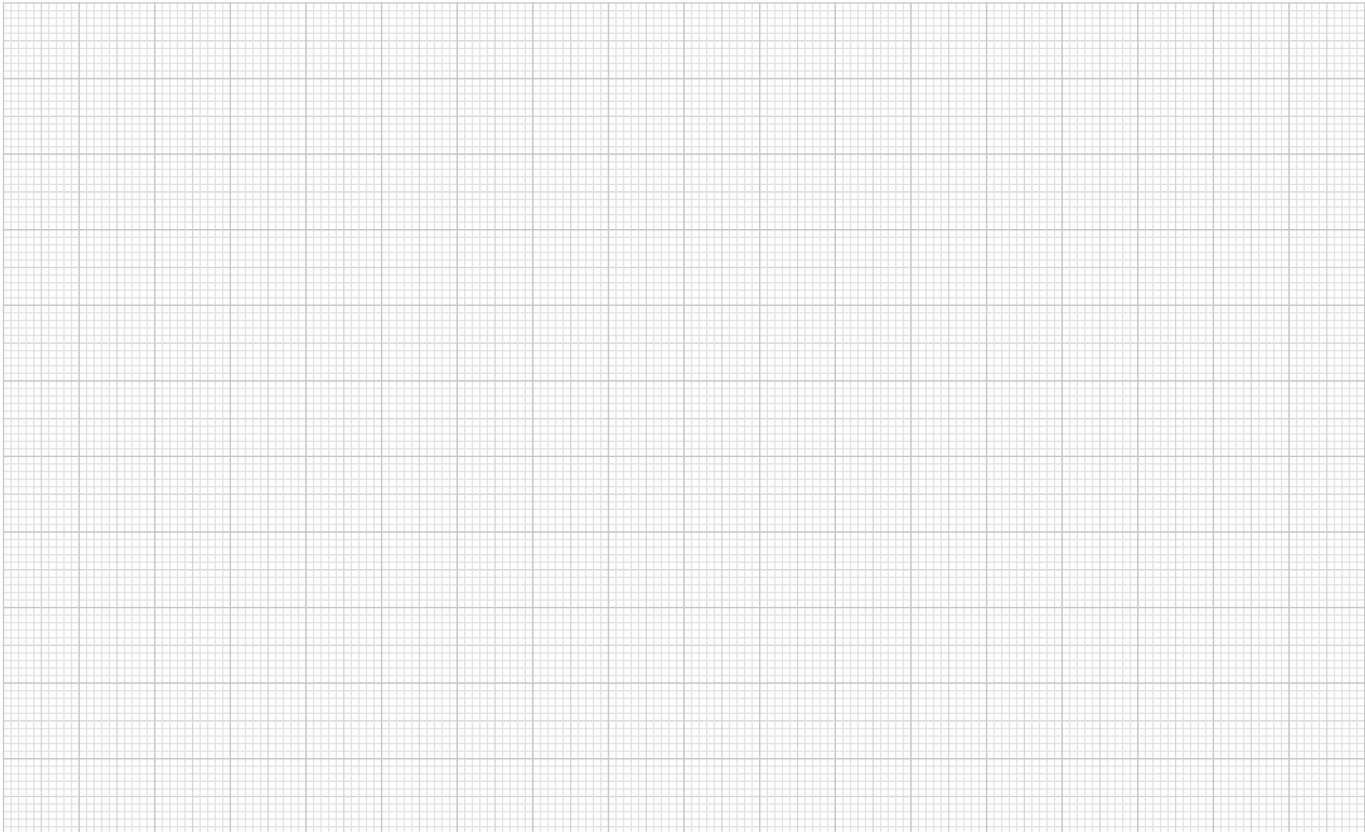
Note:
Load rating max. 500 N.

Assembly:
From the rear.

KIPP Pull handles

Order No.	Main material	A	B	B1	C	D	H	L	T	Load capacity N
K1074.11005	Duroplast	110	16	14	12	M5	42	130	10	500

Notes



Pull handles



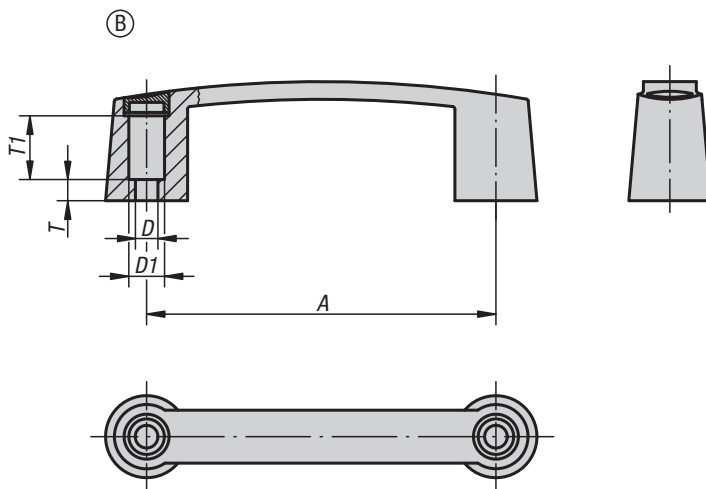
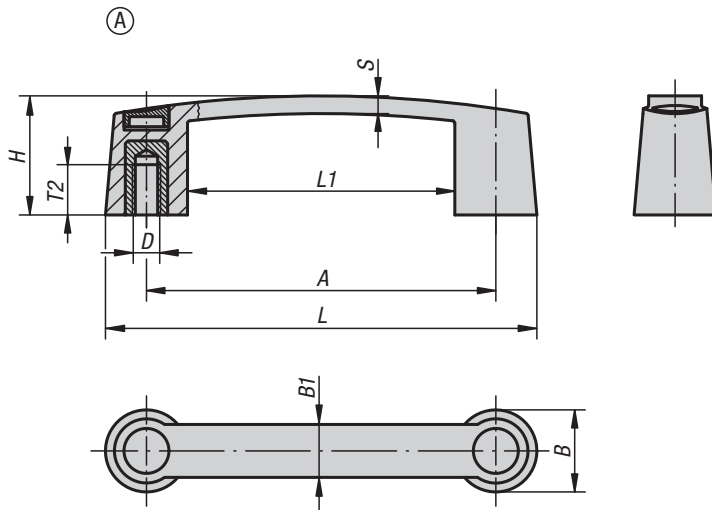
Material:
Thermoplastic.
Bushing brass.

Version:
Handle and cap black.

Sample order:
K0189.109406

Assembly:
Form A from the rear.
Form B from the front.

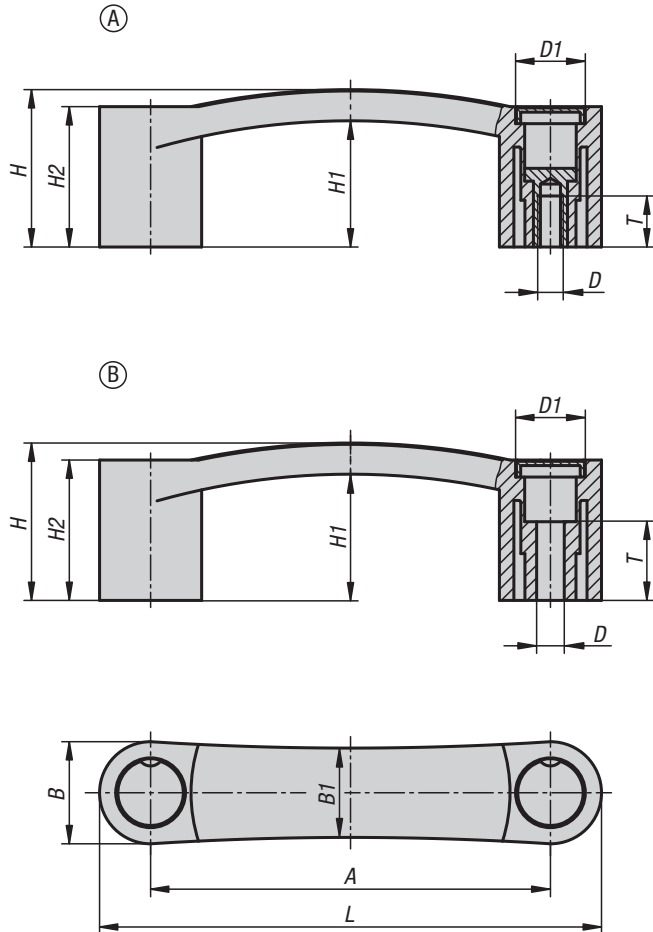
On request:
Other handle or cap colours.



KIPP Pull handles

Order No.	Form	A	B	B1	D	D1	H	L	L1	S	T	T1	T2	Load capacity N
K0189.109406	A	93,5	26	17	M6	-	35	119,5	67,5	5,8	-	-	15,5	320
K0189.111706	A	117	29	19	M6	-	40	145	89	6,4	-	-	15,5	320
K0189.111708	A	117	29	19	M8	-	40	145	89	6,4	-	-	16	870
K0189.113206	A	132	31	20	M6	-	45	163	101	6,7	-	-	15,5	320
K0189.113208	A	132	31	20	M8	-	45	163	101	6,7	-	-	16	870
K0189.117910	A	179	35	22	M10	-	50	213	145	7,1	-	-	22	1200
K0189.209406	B	93,5	26	17	6,8	12	35	119,5	67,5	5,8	4,5	19	-	500
K0189.211708	B	117	29	19	8,5	13,5	40	145	89	6,4	8	23	-	950
K0189.213208	B	132	31	20	8,5	13,5	45	163	101	6,7	8	22	-	950
K0189.217908	B	179	35	22	8,5	13,5	50	213	145	7,1	12	22	-	950

Pull handles



Material:
Fibreglass reinforced thermoplastic.
Tapped bush brass.

Version:
Black.
Cap grey.

Sample order:
K1092.109406

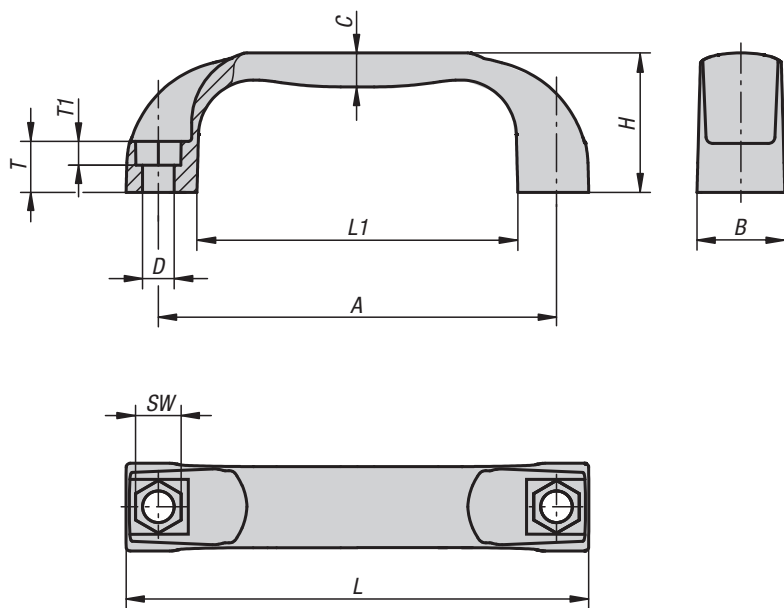
Assembly:
Form A from the rear.
Form B from the front.

On request:
Other handle or cap colours.

KIPP Pull handles

Order No.	Version	Form	A	B	B1	D	D1	H	H1	H2	L	T	Load capacity N
K1092.109406	internal thread	A	94	24	21	M6	16	37	30	33	118	12	2000
K1092.111706	internal thread	A	117	28	24	M6	18	40,5	31,5	34	145	12	3400
K1092.111708	internal thread	A	117	28	24	M8	18	40,5	31,5	34	145	12	3400
K1092.112006	internal thread	A	120	28	24	M6	18	40,5	31,5	34	148	12	3500
K1092.112008	internal thread	A	120	28	24	M8	18	40,5	31,5	34	148	12	3500
K1092.113208	internal thread	A	132	28	24	M8	18	43	34	36,5	160	12	3500
K1092.209406	with through hole	B	94	24	21	6,5	16	37	30	33	118	14	2500
K1092.211706	with through hole	B	117	28	24	6,5	18	40,5	31,5	34	145	15	3700
K1092.211708	with through hole	B	117	28	24	8,5	18	40,5	31,5	34	145	15	3700
K1092.212006	with through hole	B	120	28	24	6,5	18	40,5	31,5	34	148	15	2900
K1092.212008	with through hole	B	120	28	24	8,5	18	40,5	31,5	34	148	15	2900
K1092.213208	with through hole	B	132	28	24	8,5	18	43	34	36,5	160	15	3200

Pull handles



Material:

Thermoplast PA (polyamide), glass-bead reinforced or PP (polypropylene), fibreglass reinforced.

Version:

black grey

Sample order:

K0190.113208

Note:

The fastening hole is designed to accept the head of a socket or hexagon head bolt or a hexagon nut.

Assembly:

From the front or rear.

On request:

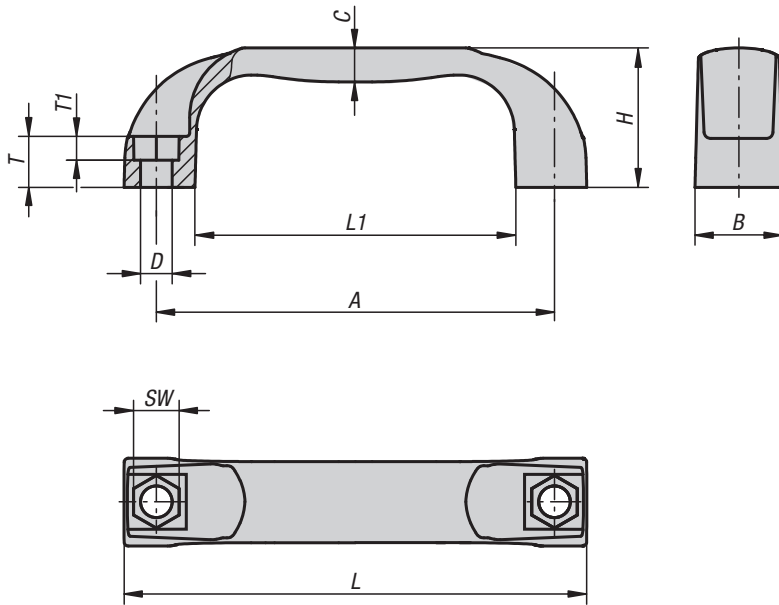
Other handle colours.

KIPP Pull handles

Order No.	Main material	A	B	C	D	H	L	L1	SW	T	T1	Load capacity N
K0190.109406	polyamide	94	21	8	6,6	36	109	76	10	13	6	1000
K0190.111708	polyamide	117	26	10	9	41	136	94	13	15	8	1500
K0190.113208	polyamide	132	27	11	9	44	154	112	13	16	8	1500
K0190.117908	polyamide	179	28	11	9	50	197	156	13	17	8	1500
K0190.209406	polypropylene	94	21	8	6,6	36	109	76	10	13	6	500
K0190.211708	polypropylene	117	26	10	9	41	136	94	13	15	8	800
K0190.213208	polypropylene	132	27	11	9	44	154	112	13	16	8	800
K0190.217908	polypropylene	179	28	11	9	50	197	156	13	17	8	800

Pull handles,

high temperature resistant



Material:

Thermoplastic PPA (resistant to high temperatures), fibreglass reinforced.

Version:

black.

Sample order:

K0190.311708

Note:

The fastening hole is designed to accept the head of a socket or hexagon head bolt or a hexagon nut.

Temperature range:

Continuous operating temperature acc. to IEC 216 max. 150°C - 160°C.

Temporary operating temperature max. 250°C.

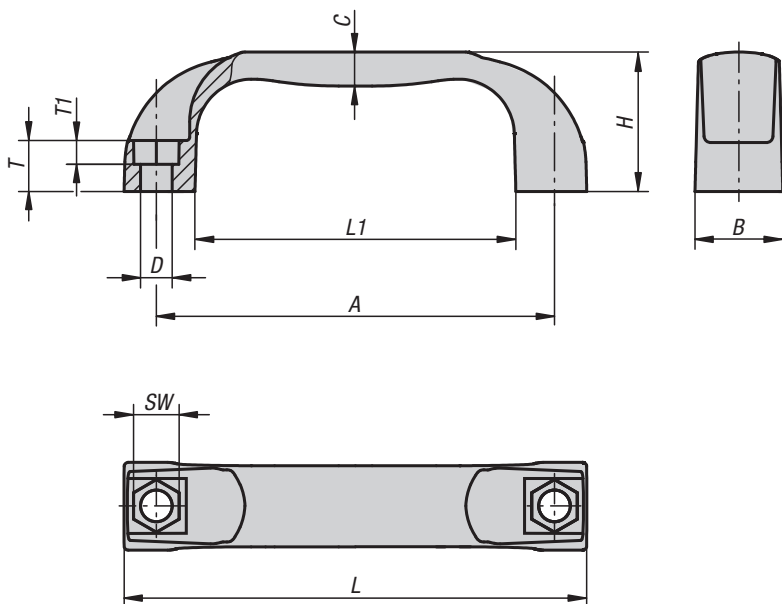
Assembly:

From the front or rear.

KIPP Pull handles, high temperature resistant

Order No.	A	B	C	D	H	L	L1	SW	T	T1	Load capacity N
K0190.311708	117	26	10	9	41	136	94	13	15	8	1500
K0190.313208	132	27	11	9	44	154	112	13	16	8	1500

Pull handles antibacterial



Material:

Thermoplastic PA (polyamide) reinforced.

Version:

slate grey.

Sample order:

K0190.1211708144

Note:

The fastening hole is designed to accept the head of a socket or hexagon head bolt or a hexagon nut.

Application:

The antibacterial KIPP MEDI grip products are highly effective against a variety of hazardous microorganisms, such as bacteria, fungi, viruses and even multi-resistant bacteria (e.g. MRSA). The plastic used incorporates micro-silver particles with an antimicrobial effect to ensure effective results throughout the entire product life cycle.

Function:

Silver ions are effective in preventing harmful microorganisms from forming on the product surface, promoting a constant reduction of the existing germs on the MEDI grip products (as tested and confirmed by an accredited testing laboratory). During cleaning cycles the risk of infection while touching these products is significantly lower.

Assembly:

From the front or rear.

Advantages:

Resistant to humidity and cleaning products (during disinfection) with no toxic side effects.

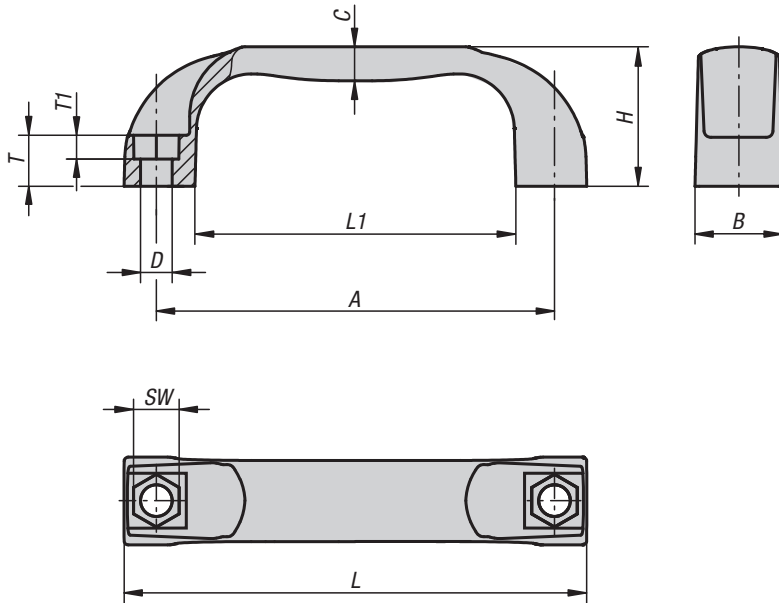
Applications:

For installation on machines, equipment, plants and furnishings in areas with increased hygienic requirements (including hospitals, doctors' surgeries, rehabilitation centres and food production facilities), as well as for use in public areas or regularly frequented institutions (i.e. nursing homes or daycare centres).

KIPP Pull handles antibacterial

Order No.	A	B	C	D	H	L	L1	SW	T	T1	Load capacity N
K0190.1211708144	117	26	10	9	41	136	94	13	15	8	1000

Pull handles antistatic

**Material:**

Thermoplastic PA (polyamide) reinforced.

Version:

graphite black.

Sample order:

K0190.111170824

Note:

The fastening hole is designed to accept the head of a socket or hexagon head bolt or a hexagon nut.

Application:

Sensitive electrical or electronic equipment, components and devices (ESD sensitive elements) may be damaged or destroyed by electrostatic discharges (ESD) in the immediate vicinity.

Electrostatic discharges can come from people or through handling ESD sensitive components (e.g. during production, assembly, transport, storage etc).

Electrically conductive products which conform to DIN EN 61340-5-1 are essential within electronic environments to prevent an electrostatic discharge.

These products can be used for ESD applications or in ESD protection areas (EPA) in accordance with DIN EN 61340-5-1. The yellow ESD logo is printed on the side of the product to clearly identify it.

Assembly:

From the front or rear.

Safety:

These ESD products can also be used for devices, components and protection systems in areas with high risk of explosion. Use of these ESD products prevents the occurrence of electrostatic spark discharges, eliminating the potential ignition of gases and dusts which could lead to explosions in enclosed spaces.

Manufacturers and operators must use and conform to ATEX directives for the protection of persons working in areas with high risk of explosion.

These ESD products are certified by TÜV-Süd in relation to their electrical discharge capability.

Target groups:

Device manufacturers required to conform to ATEX product directive 2014/34/EU.

Operators required to conform to ATEX worker protection directive 1999/92/EC.

KIPP Pull handles antistatic

Order No.	Main colour	A	B	C	D	H	L	L1	SW	T	T1	Load capacity N
K0190.111170824	graphite black RAL 9011	117	26	10	9	41	136	94	13	15	8	1000

Pull handles



Material:

Thermoplastic PA (polyamide), glass-bead reinforced.
Bush, screw, washer and nut steel or stainless steel.

Version:

black grey

Sample order:

K1060.1100051

Note:

This pull handle is characterised by its large size and pleasant haptics.

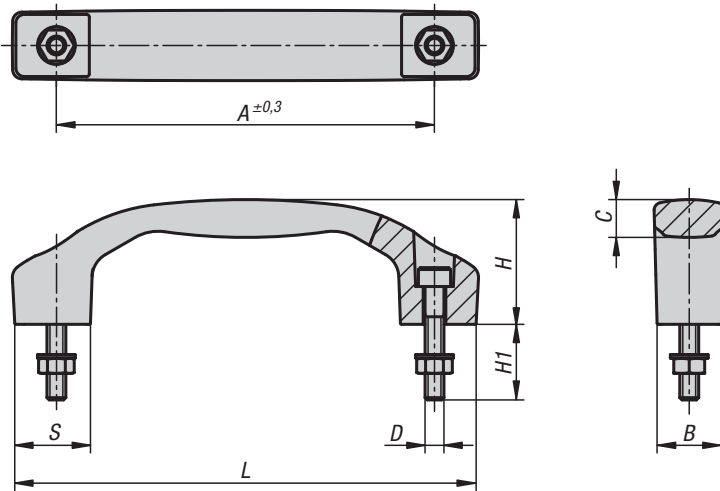
Form A is supplied with fastening screws, washers and nuts.

Assembly:

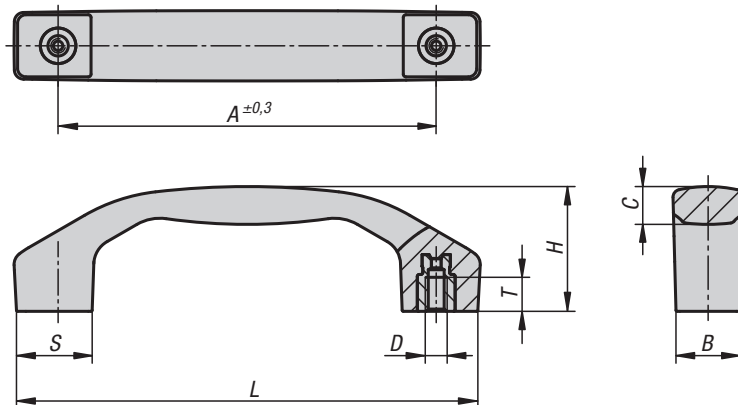
Form A from the front.

Form B from the rear.

Ⓐ



Ⓑ



KIPP Pull handles

Order No.	Form	Component material	A	B	C	D	H	H1	L	S	T	Load capacity N
K1060.1100051	A	steel	100	17	9,5	M5	33	20	122	20	-	1000
K1060.1120061	A	steel	120	21	11,4	M6	39	25	146	24	-	1000
K1060.1140081	A	steel	140	24	14,2	M8	45	30	170	28	-	1000
K1060.1100052	A	stainless steel	100	17	9,5	M5	33	20	122	20	-	1000
K1060.1120062	A	stainless steel	120	21	11,4	M6	39	25	146	24	-	1000
K1060.1140082	A	stainless steel	140	24	14,2	M8	45	30	170	28	-	1000
K1060.2100051	B	steel	100	17	9,5	M5	33	-	122	20	9	1000
K1060.2120061	B	steel	120	21	11,4	M6	39	-	146	24	12	1000
K1060.2140081	B	steel	140	24	14,2	M8	45	-	170	28	12	1000
K1060.2100052	B	stainless steel	100	17	9,5	M5	33	-	122	20	9	1000
K1060.2120062	B	stainless steel	120	21	11,4	M6	39	-	146	24	12	1000
K1060.2140082	B	stainless steel	140	24	14,2	M8	45	-	170	28	12	1000

Pull handles



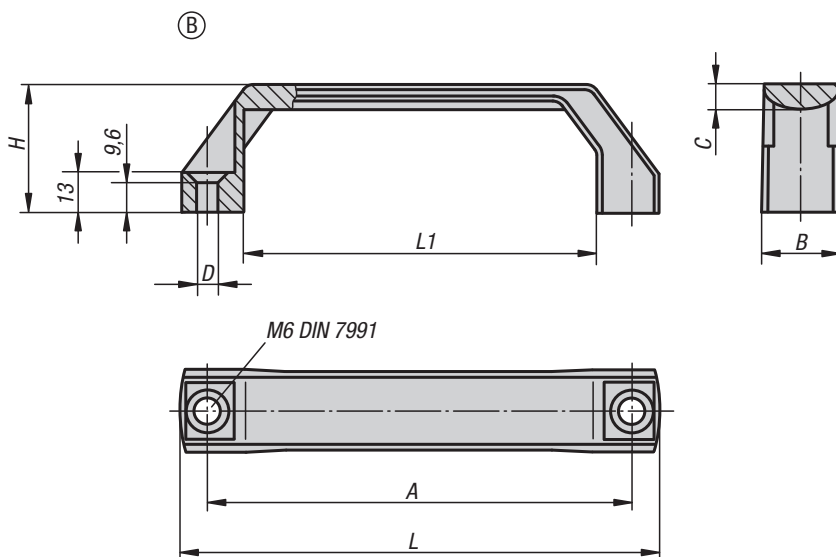
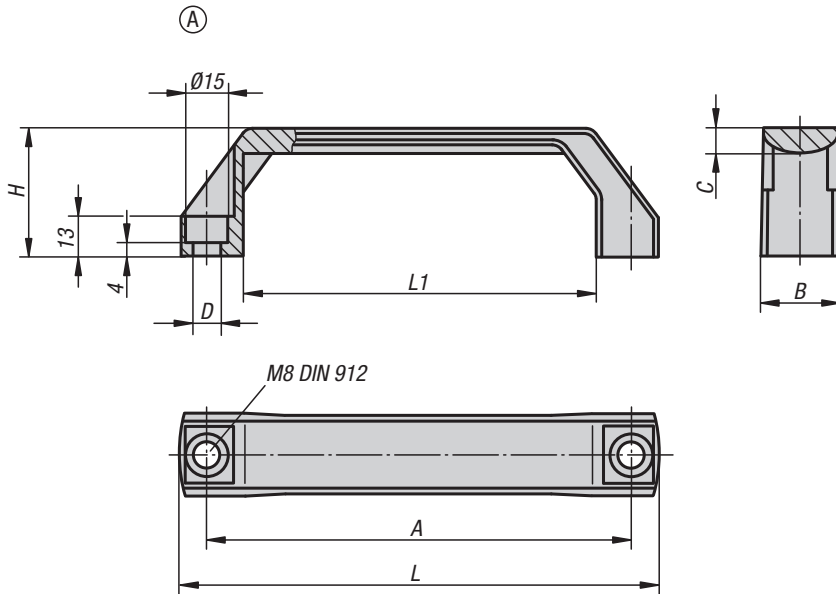
Material:
Glass bead reinforced thermoplastic

Version:
Matt black or orange

Sample order:
K0191.1120081

Note:
Dimension "A" applies after mounting. Before mounting it can be up to 2 mm smaller due to the release of the bending stress.

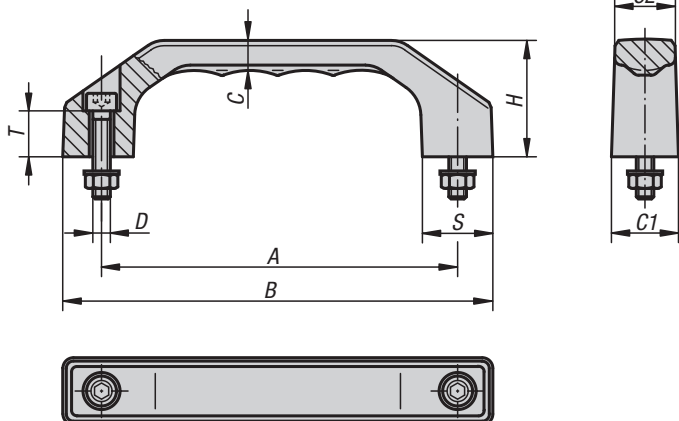
Assembly:
From the front.



KIPP Pull handles

Order No. Black grey RAL 7021	Order No. Orange	Form	A	B	C	D	H	L	L1	Load capacity N
K0191.1120081	K0191.1120082	A	120	26	8	9	42	138	96	1000
K0191.1140081	K0191.1140082	A	140	26	8	9	42	158	116	1000
K0191.1160081	K0191.1160082	A	160	28	9	9	45	178	136	1000
K0191.2120061	K0191.2120062	B	120	26	8	6,6	42	138	96	1000
K0191.2140061	K0191.2140062	B	140	26	8	6,6	42	158	116	1000
K0191.2160061	K0191.2160062	B	160	28	9	6,6	45	178	136	1000

Pull handles



Material:

Glass bead reinforced thermoplastic

Version:

Matt black with fine texture.

Sample order:

K0200.140082

Note:

These handles are extremely flex-resistant and are very user friendly. Fastening screws, nuts and washers are supplied. Stainless steel fasteners are supplied for wet areas.

Assembly:

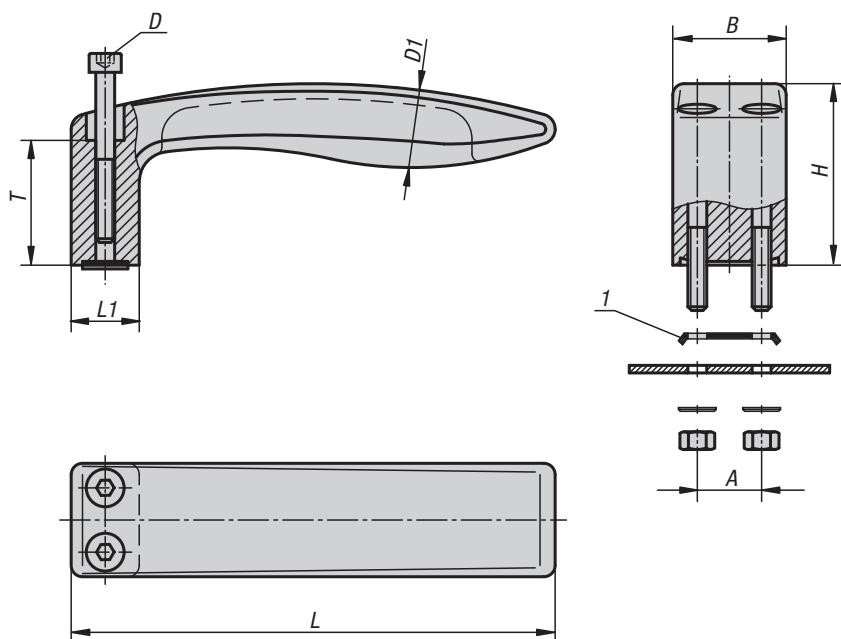
From the front.

KIPP Pull handles

Order No.	Order No. wet area	A	B	C	C1	C2	D	H	S	T	Load capacity N
K0200.100051	K0200.100052	100	122	8,5	19	17	M5x22	35	20	13	1000
K0200.120061	K0200.120062	120	146	10,5	23	20,5	M6x25	39	24	15	1000
K0200.140081	K0200.140082	140	170	12	27	24	M8x30	45	28	16	1000
K0200.160081	K0200.160082	160	194	13,5	31	27,5	M8x35	52	32	20	1000
K0200.180081	K0200.180082	180	218	15,5	35	31	M10x40	58	36	20	1000

Pull handles

open-ended screw on



Material:

Glass-bead reinforced thermoplastic.
Fastening material 1.4301.

Version:

Matt black with fine texture.

Sample order:

K0237.12805

Note:

These open-ended handles can be mounted right or left. They are form stable and have a high load rating. Fastening bolts, nuts and washers are supplied as is a locking plate to prevent twisting.

Assembly:

From the front.

Drawing reference:

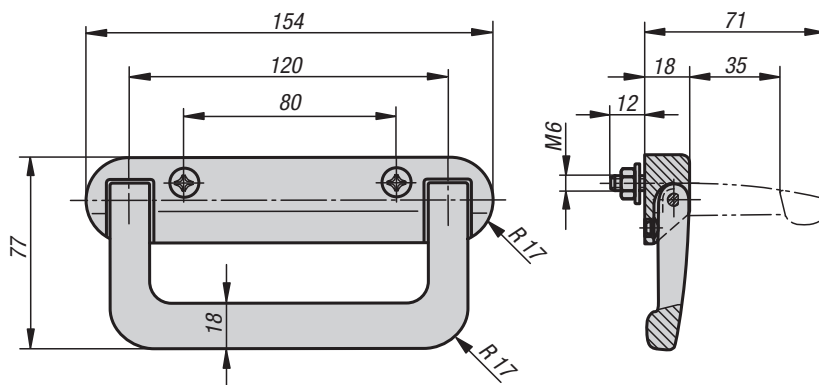
1) locking plate

KIPP Pull handles open-ended screw on

Order No.	A	B	D	D1	H	L	L1	T	Load capacity N
K0237.12805	17	30	M5x45	20	48	128	18	33	800
K0237.15606	20	36	M6x55	24	58	156	22	40	1000

Pull handles

fold-down



Material:

Frame and grip glass-bead reinforced thermoplastic. Linkpins and return springs stainless steel.

Version:

mat black.

Sample order:

K0241.080181

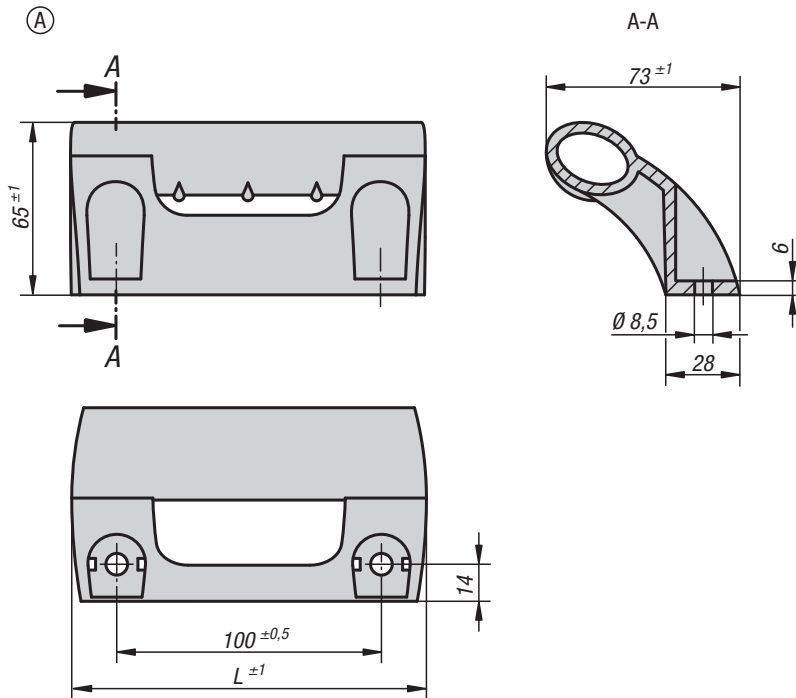
Note:

The fold-down handle automatically returns to rest. Can be screwed onto a housing panel. Black galvanized DIN 965 countersunk M6x30 screws with cross slit, washers and nuts are supplied.

KIPP Pull handles fold-down

Order No.	Load capacity N
K0241.080181	300

Pull handles angled



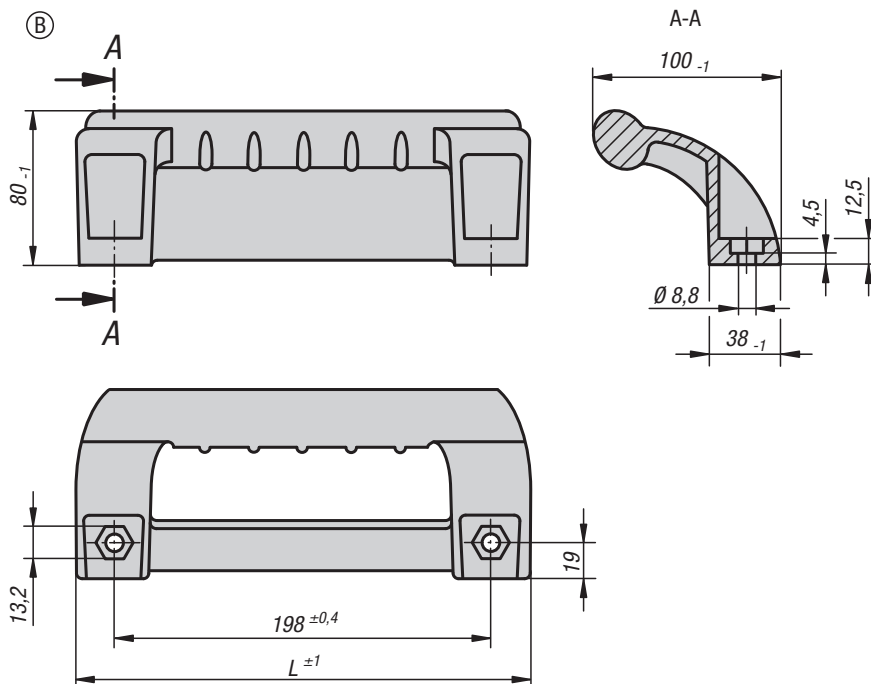
Material:
Glass-bead reinforced thermoplastic PA

Version:
black.

Sample order:
K0244.100081
K0244.1 (2 per pack)

Note:
Ergonomic design pull handles with finger shield. For mounting on doors, hatches and aluminium profiles. Ideal for double-leaf doors. Fastening with hexagon or socket head M8 bolts.

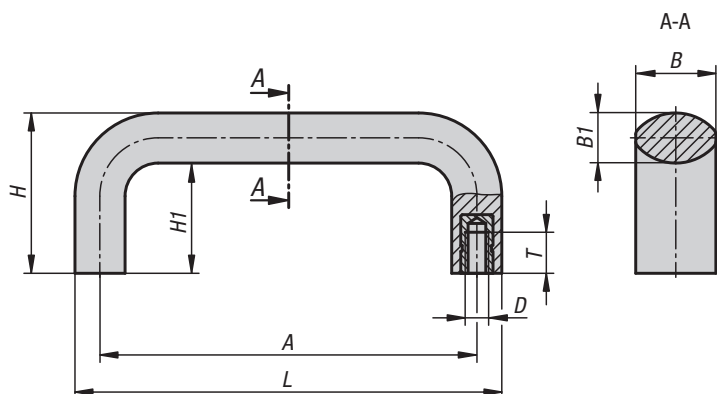
Cover caps are not supplied.



KIPP Pull handles angled

Order No.	Form	L	Load capacity N	Order No. cover caps
K0244.100081	A	134	1000	K0244.1
K0244.198081	B	236	1000	K0244.3

Pull handles



Material:
Fibreglass reinforced thermoplastic.
Tapped bush brass.

Version:
black.

Sample order:
K1087.08605

Assembly:
From the rear.

KIPP Pull handles

Order No.	A	B	B1	D	H	H1	L	T	Load capacity N
K1087.08605	86	20	12,5	M5	40	28	98,5	10	1000
K1087.08606	86	20	12,5	M6	40	28	98,5	9	1000
K1087.09405	94	20	12,5	M5	40	28	106,5	10	1000
K1087.09406	94	20	12,5	M6	40	28	106,5	9	1000
K1087.11705	117	25	16	M5	50	34	134	10	1000
K1087.11706	117	25	16	M6	50	34	134	9	1000
K1087.11708	117	25	16	M8	50	34	134	14	1000
K1087.12005	120	25	16	M5	50	34	134	10	1000
K1087.12006	120	25	16	M6	50	34	134	9	1000
K1087.12008	120	25	16	M8	50	34	134	14	1000
K1087.13205	132	25	16	M5	50	34	148	10	1000
K1087.13206	132	25	16	M6	50	34	148	9	1000
K1087.13208	132	25	16	M8	50	34	148	14	1000
K1087.15006	150	29	18	M6	58	40	168	15	1000
K1087.15008	150	29	18	M8	58	40	168	14	1000
K1087.15010	150	29	18	M10	58	40	168	14	1000
K1087.17908	179	29	18	M8	58	40	197	14	1000
K1087.17910	179	29	18	M10	58	40	197	14	1000

Pull handles

with soft inner face



Material:

Hard components glass-bead reinforced thermoplastic.
Soft components SEBS

Version:

Hard component matt black, soft component basalt grey.

Sample order:

K0171.515008

Note:

Heavy-duty polyamide handle. Excellent carrying and gripping comfort thanks to its soft inner surface. Black galvanized cylindrical screws, nuts and washers are supplied.

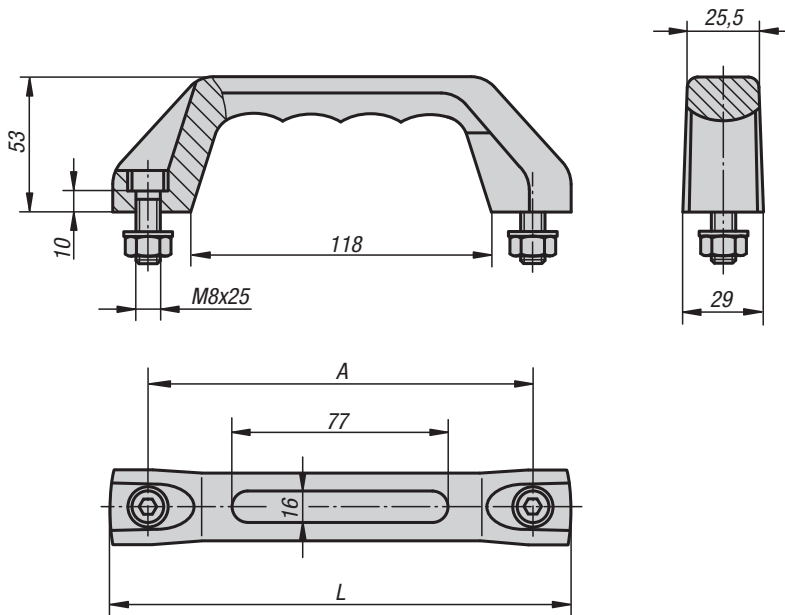
For wet areas, the fastening material is supplied in stainless steel (1.4301).

Assembly:

From the front.

On request:

With individual caption, embossed or raised on the soft material. Hard and soft components are available in all RAL colours.



KIPP Pull handles with soft inner face

Order No.	Version	A	L	Load capacity N
K0171.515008	-	150	178	500
K0171.615008	wet area	150	178	500

Pull handles

oblique



Material:

Grip glass-bead reinforced thermoplastic.
Bushing brass.

Version:

Matt black or light grey

Sample order:

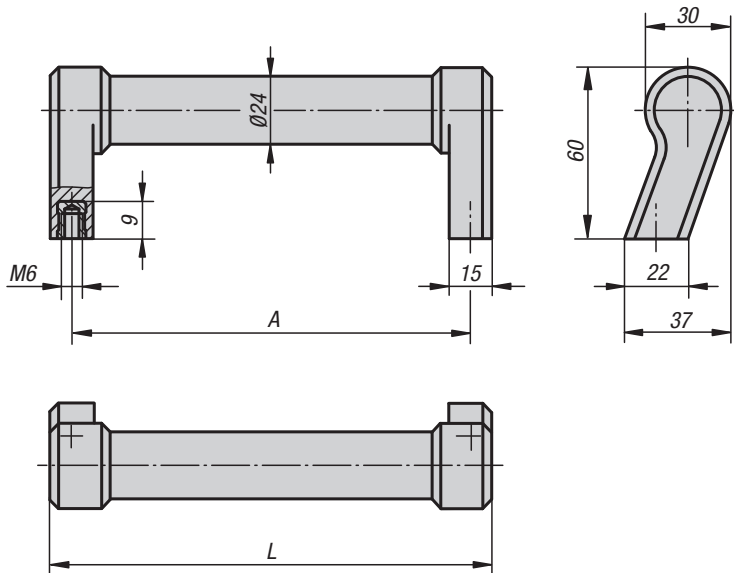
K0197.140061

Note:

Oblique, robust polyamide handle. Tube and legs form one unit. The oblique contact faces allow mounting under cramped conditions e.g. in corners.

Assembly:

From the rear.



KIPP Pull handles, oblique

Order No.	Main colour	A	L	Load capacity N
K0197.140061	black grey RAL 7021	140	155	1000
K0197.140062	light grey RAL 7035	140	155	1000

Pull handles



Material:
Glass-bead reinforced thermoplastic.

Version:
matt black.

Sample order:
K0192.110006

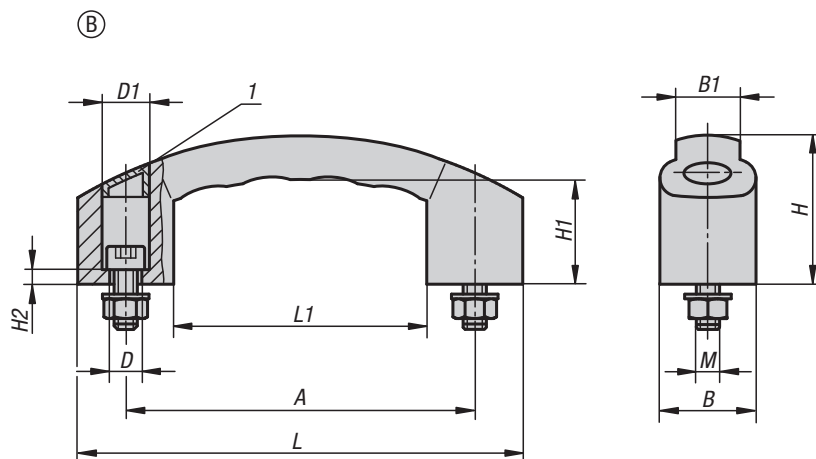
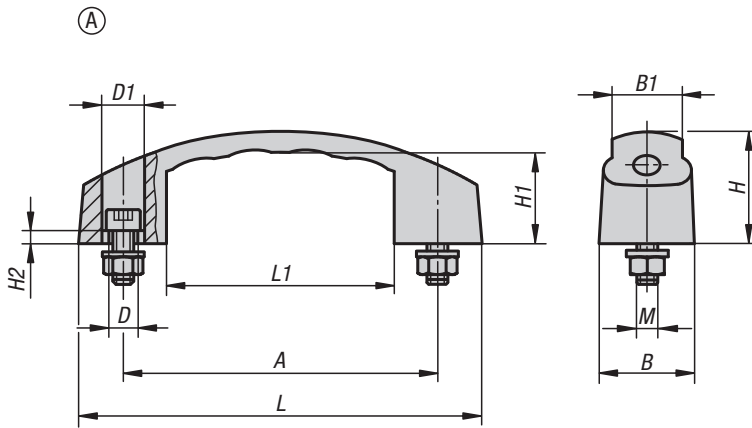
Note:
Ergonomic and functional pull handles with temperature resistance of -50 °C to +130 °C.

Supplied with DIN 912 socket head screws, DIN 934 nuts and DIN 125 galvanized washers as well as caps for Form B
Form A are supplied without caps.

Assembly:
From the front.

Drawing reference:
Form A: without cover cap
Form B: with cover cap

1) cover cap



KIPP Pull handles

Order No.	Form	Version	A	B	B1	D	D1	H	H1	H2	L	L1	M	Load capacity N
K0192.110006	A	without cover cap	100	27	22	7	11	38	29	5	130	79	M6x25	600
K0192.112006	A	without cover cap	120	29	23	7	11	38	29	8	150	91	M6x25	600
K0192.212008	B	with cover cap	120	33	22	9	14	51	36	5	153	87	M8x30	1000
K0192.214008	B	with cover cap	140	38	26	9,5	15	59	42	6	178	101	M8x30	1000

Pull handles arch



Material:

Glass-bead reinforced thermoplastic.

Version:

matt black.

Sample order:

K0193.110006

Note:

Ergonomic and functional pull handles with temperature resistance of -50 °C to +130 °C.

Supplied with DIN 912 galvanised socket head screws, DIN 934 nuts, DIN 125 galvanised washers and caps. The versions K0193.110006 and K0193.210006 are supplied without caps.

Assembly:

From the front.

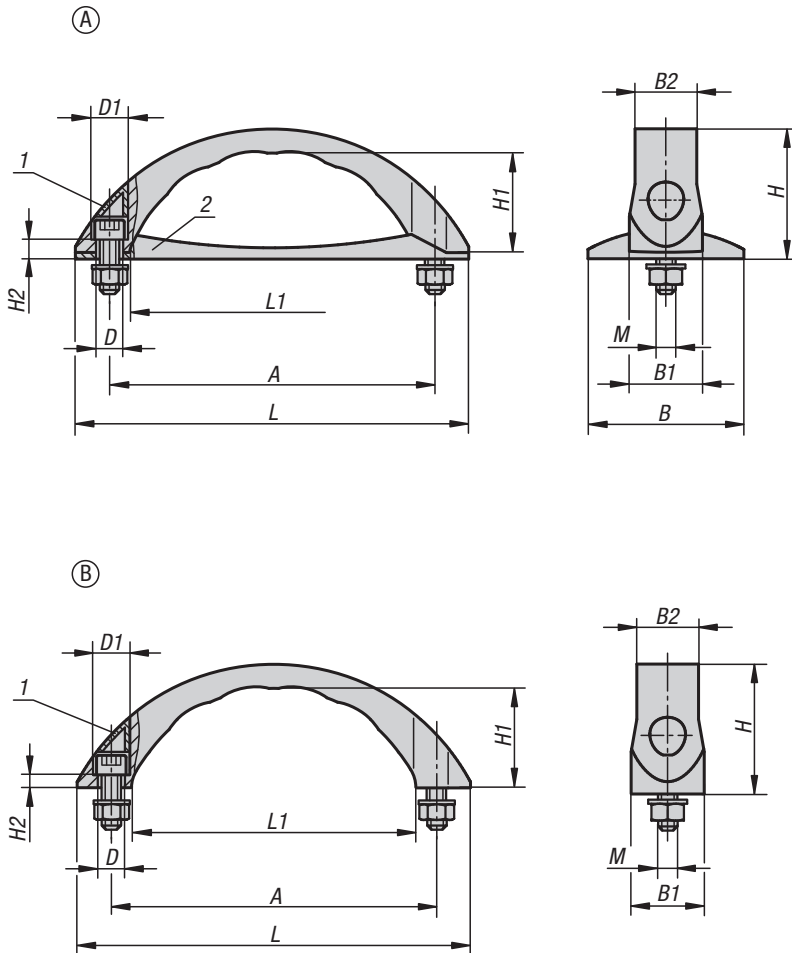
Drawing reference:

Form A: with base plate

Form B: without base plate

1) cover cap

2) base plate

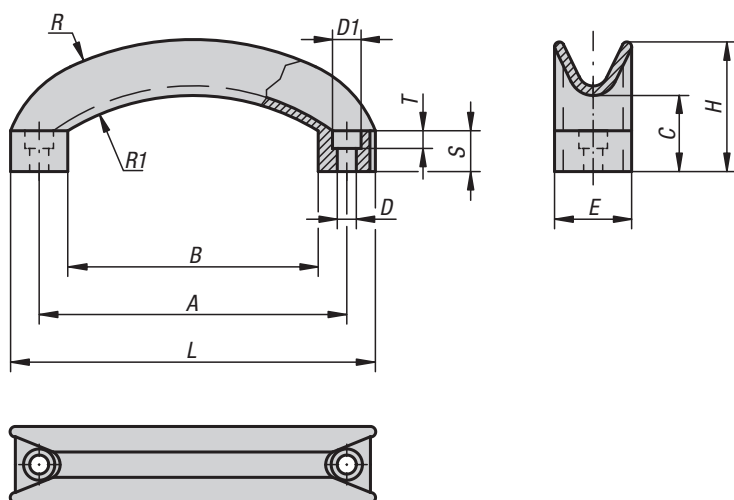


KIPP Pull handles, arch

Order No.	Form	Type	Version	A	B	B1	B2	D	D1	H	H1	H2	L	L1	M	Load capacity N
K0193.110006	A	with base plate	without cover cap	100	48	23	19	7	11	40	29	6	121	84	M6x25	600
K0193.112006	A	with base plate	with cover cap	120	57	28	23	7	12	52	36	7	152	104	M6x25	600
K0193.114008	A	with base plate	with cover cap	140	62	31	25	9,5	16	56	37	7,5	177	122	M8x30	600
K0193.210006	B	without base plate	without cover cap	100	-	23	19	7	11	38	31	4	121	84	M6x25	600
K0193.212006	B	without base plate	with cover cap	120	-	28	23	7	12	50	38	5	152	104	M6x25	600
K0193.214008	B	without base plate	with cover cap	140	-	31	25	9,5	16	54	39	5,5	177	122	M8x30	600

K0194

Pull handles arch



Material:
Black grey thermoplastic.

Sample order:
K0194.11406

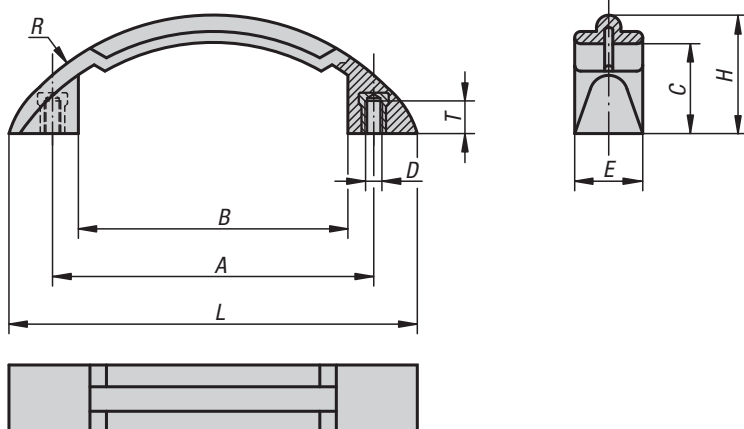
Assembly:
From the front.

KIPP Pull handles arch

Order No.	D	D1	A	B	C	E	H	L	R	R1	S	T	Load capacity N
K0194.11406	6,5	10,5	114	92	29	28	48	134	117	79	15	6,5	1000

K0196

Pull handles arch



Material, version:
Thermoplastic, black grey.
Bushes galvanized steel.

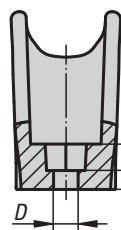
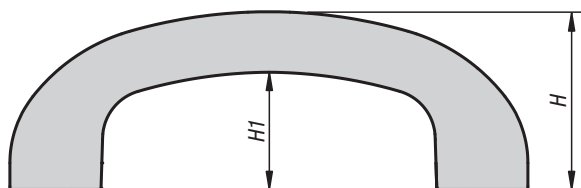
Sample order:
K0196.11906

Assembly:
From the rear.

KIPP Pull handles arch

Order No.	D	A	B	C	E	H	L	R	T	Load capacity N
K0196.11906	M6	119	98	33	25	43,5	150	94	10	1000

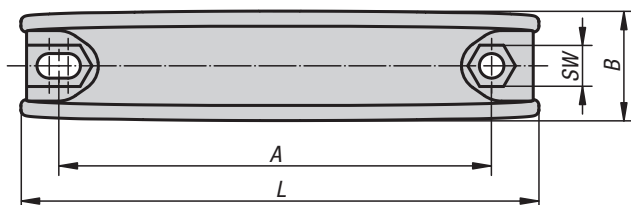
Pull handles arch



Material:
Black thermoplastic.

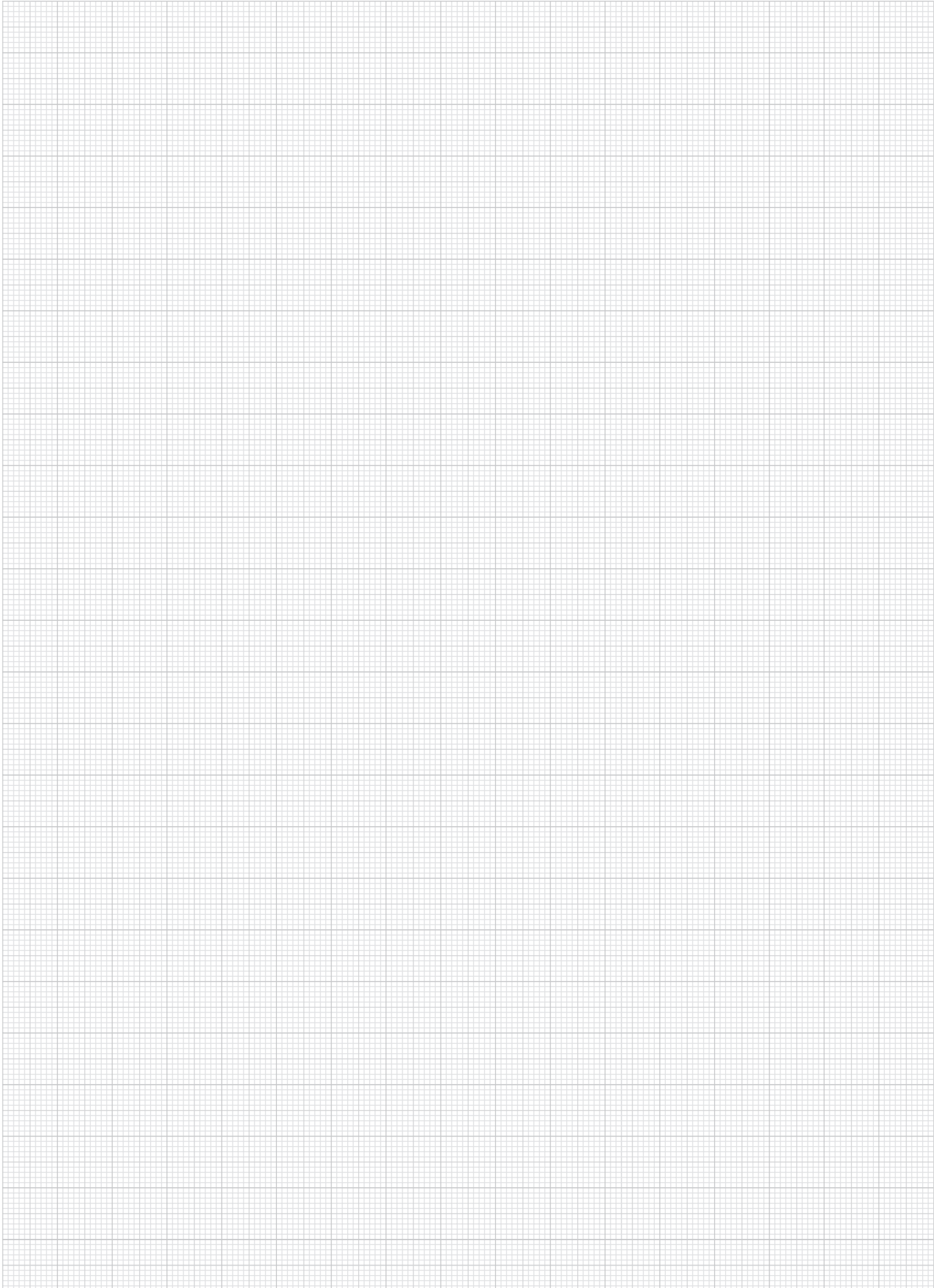
Sample order:
K1217.09006

Assembly:
From the front.

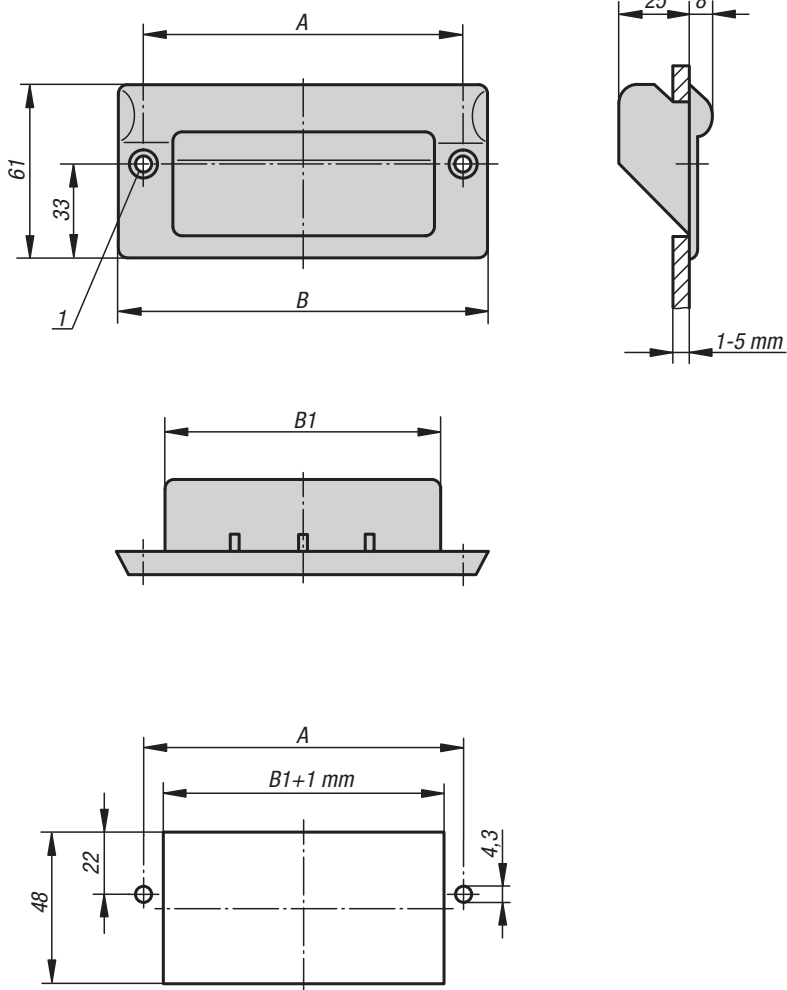


KIPP Pull handles arch

Order No.	A	B	D	H	H1	L	T	T1	SW	Load capacity N
K1217.09006	90-95	26,6	6,5	42	29	115	10	6,4	10,2	1000
K1217.11206	112-117	29	6,5	47	31	137	12	7	10,2	1000
K1217.17708	177-182	30	8,5	48,1	31	208	14	9	13,2	1000



Recessed handles



Material:

Glass bead reinforced thermoplastic

Version:

Semi-matt, black or light grey.

Sample order:

K0242.1082041

Note:

These ergonomically shaped handles are ideally suited for wall thicknesses of 1-5 mm.

Assembly:

The handle is inserted in the cutout of the housing panel and then fixed from the front with 2 countersunk screws (not supplied).

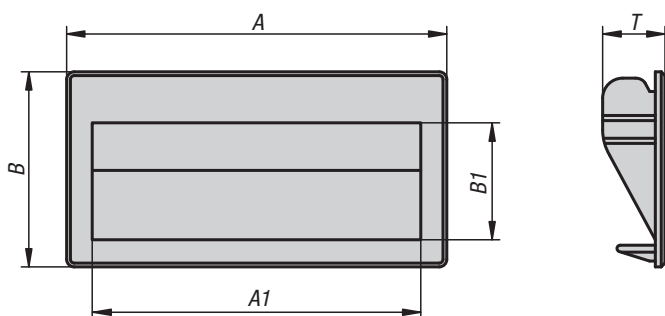
Drawing reference:

1) for countersunk screws M4

KIPP Recessed handles

Order No.	Main colour	A	B	B1	Load capacity N
K0242.1082041	black	82	100	67	1000
K0242.1112041	black	112	130	97	1000
K0242.1082042	light grey RAL 7035	82	100	67	1000
K0242.1112042	light grey RAL 7035	112	130	97	1000

Recessed handles



Material:
Thermoplastic (ABS).

Version:
black.

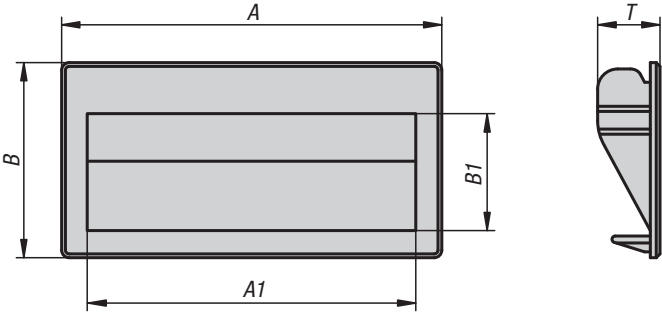
Sample order:
K1077.1101

Note:
This handle can be used with a wall thickness of 0.75 to 1.5 mm.
The retaining force is 750 N per pair in steel and plate housings.

KIPP Recessed handles

Order No.	Colour	A	A1	B	B1	T	Mounting cutout	Load capacity N
K1077.0901	black	90	79	40	30	16	83 x 34	375
K1077.1101	black	110	95	56,3	33,8	18	103 x 49	375

Recessed handles



Material:
Thermoplastic (ABS).

Version:
black.

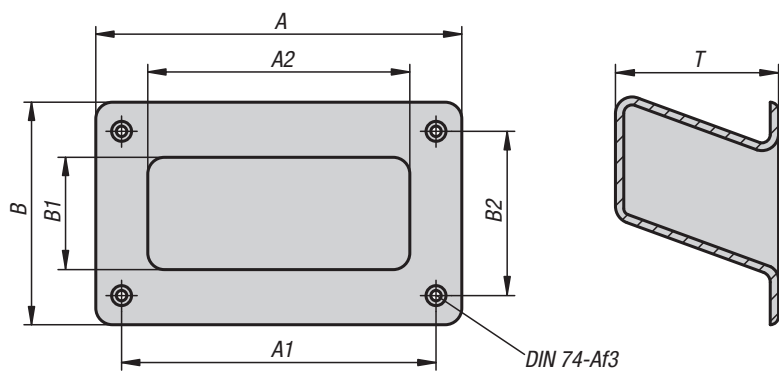
Sample order:
K1078.1871

Note:
This handle can be used with a wall thickness of 1.5 to 2 mm.
The retaining force is 750 N per pair in steel and plate housings.

KIPP Recessed handles

Order No.	A	A1	B	B1	T	Mounting cutout	Load capacity N
K1078.1871	187	164	79	54	22	171x73	375

Recessed handles

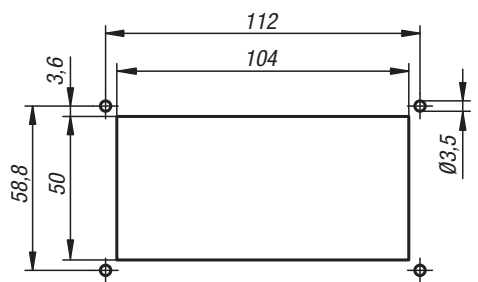


Material:
Thermoplastic (ABS).

Version:
black.

Sample order:
K1079.1121

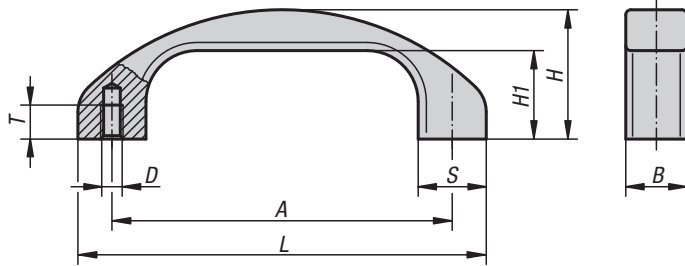
Note:
Max. load 500 N/pair.



KIPP Recessed handles

Order No.	A	A1	A2	B	B1	B2	T	Load capacity N
K1079.1121	131	112	94	79	40	58,8	58	250

Pull handles



Material:

Profile aluminium EN AW-6060

Version:

High quality anodized version, glass-bead blasted, semi-gloss finish.

Sample order:

K0195.120061

Assembly:

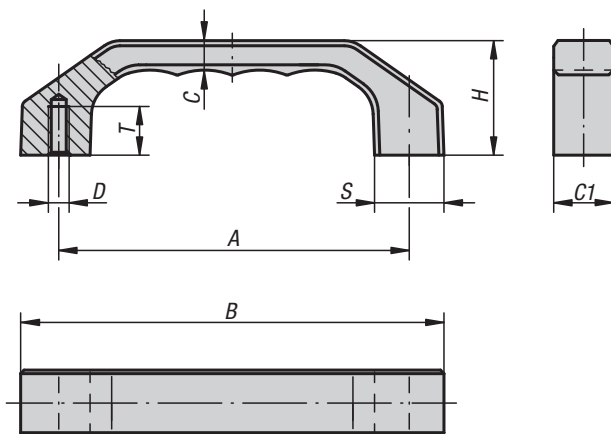
From the rear.

KIPP Pull handles

Order No.	Main colour	A	B	D	H	H1	L	S	T	Load capacity N
K0195.120061	black anodized	120	22	M6	46	31	144	24	12	1000
K0195.140081	black anodized	140	25	M8	53	36	168	28	15	1000
K0195.120063	natural anodized	120	22	M6	46	31	144	24	12	1000
K0195.140083	natural anodized	140	25	M8	53	36	168	28	15	1000

K0199

Pull handles



Material:

EN AW-6060

Version:

Matt-finished and anodized or powder-coated

Sample order:

K0199.140082

Assembly:

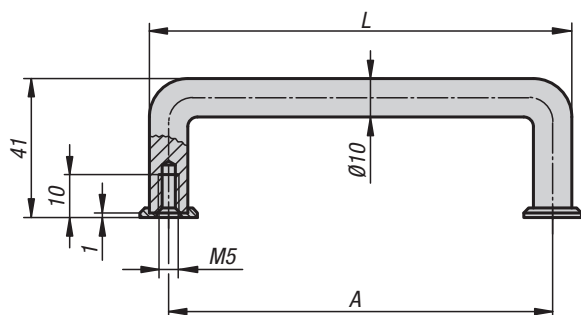
From the rear.

KIPP Pull handles

Order No. natural anodized	Order No. black anodized	Order No. titanium tone powder coated	A	B	C	C1	D	H	S	T	Load capacity N
K0199.120061	K0199.120062	K0199.120063	120	146	10,5	22	M6	39	24	15	1000
K0199.140081	K0199.140082	K0199.140083	140	170	12	25	M8	45	28	16	1000
K0199.160081	K0199.160082	K0199.160083	160	194	13,5	28	M8	52	32	16	1000

Pull handles round

19"



Material:
Round aluminium

Version:
Surface matt-finished and natural colour or black anodized

Sample order:
K0201.055051

Note:
End washers not included.

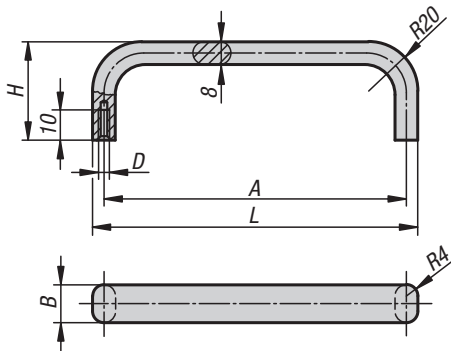
Assembly:
From the rear.

KIPP Pull handles round

Order No.	Main colour	A	L	Load capacity N	Order No. end washer
K0201.055051	black anodized	55	65	500	K0201.1
K0201.088051	black anodized	88	98	500	K0201.1
K0201.100051	black anodized	100	110	500	K0201.1
K0201.120051	black anodized	120	130	500	K0201.1
K0201.180051	black anodized	180	190	500	K0201.1
K0201.200051	black anodized	200	210	500	K0201.1
K0201.235051	black anodized	235	245	500	K0201.1
K0201.250051	black anodized	250	260	500	K0201.1
K0201.055053	natural anodized	55	65	500	K0201.3
K0201.088053	natural anodized	88	98	500	K0201.3
K0201.100053	natural anodized	100	110	500	K0201.3
K0201.120053	natural anodized	120	130	500	K0201.3
K0201.180053	natural anodized	180	190	500	K0201.3
K0201.200053	natural anodized	200	210	500	K0201.3
K0201.235053	natural anodized	235	245	500	K0201.3
K0201.250053	natural anodized	250	260	500	K0201.3

Pull handles oval

19"



KIPP Pull handles oval

Order No. black anodized	Order No. natural colour anodized	A	B	D	H	L	Load capacity N
K0202.055051	K0202.055053	55	12	M5	40	63	500
K0202.088051	K0202.088053	88	12	M5	40	96	500
K0202.100051	K0202.100053	100	12	M5	40	108	500
K0202.120051	K0202.120053	120	12	M5	40	128	500
K0202.180051	K0202.180053	180	12	M5	40	188	500
K0202.200051	K0202.200053	200	12	M5	40	208	500
K0202.235051	K0202.235053	235	12	M5	40	243	500
K0202.250051	K0202.250053	250	12	M5	40	258	500



Material:
Oval aluminium

Version:
Surface matt-finished and natural colour anodized or black anodized

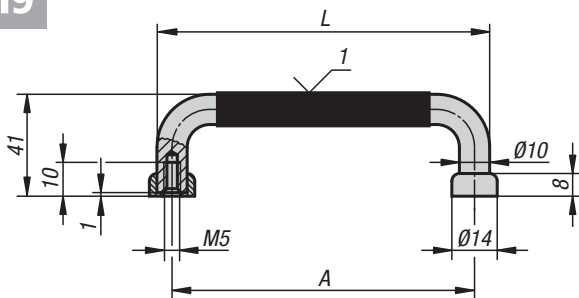
Sample order:
K0202.055051

Assembly:
From the rear.

K0203

Pull handles round

19"



KIPP Pull handles round

Order No.	A	L	Load capacity N
K0203.05505	55	65	1000
K0203.08805	88	98	1000
K0203.10005	100	110	1000
K0203.10205	102	112	1000
K0203.11505	115	125	1000
K0203.12005	120	130	1000
K0203.13605	136	146	1000
K0203.18005	180	190	1000
K0203.20005	200	210	1000
K0203.23505	235	245	1000
K0203.25005	250	260	1000

Material:
Round steel

Version:
Surface very finely ground and matt-polish chrome-plated. Grip plastic coated.

Sample order:
K0203.05505

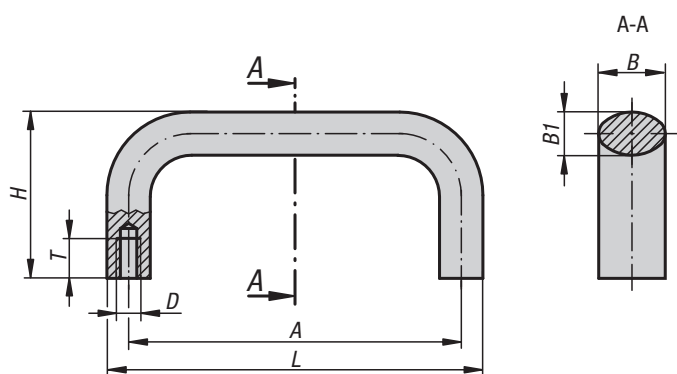
Note:
High quality handles for front panels and similar applications.

Assembly:
From the rear.

Drawing reference:
1) plastic coating



Pull handles oval



Material:

Oval aluminium EN AW-6060

Version:

Black or ruby red RAL 3003 powder-coated or natural colour anodized.

Sample order:

K0204.10001

Note:

These handles are extremely robust and can be used where heavy duty equipment is called for.

Assembly:

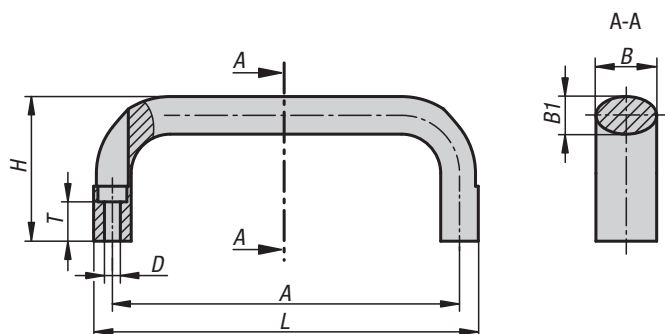
From the rear.

KIPP Pull handles, oval

Order No. black powder-coated	Order No. natural anodized	Order No. red RAL3003 powder-coated	A	B	B1	D	H	T	L	Load capacity N
K0204.10001	K0204.10003	K0204.10027	100	21/20/21	13	M6	50	12	113	1000
K0204.11201	K0204.11203	K0204.11227	112	21/20/21	13	M6	50	12	125	1000
K0204.1120108	K0204.1120308	K0204.1122708	112	25/26/25	17	M8	55	14	129	1000
K0204.12001	K0204.12003	K0204.12027	120	21/20/21	13	M6	50	12	133	1000
K0204.1200108	K0204.1200308	K0204.1202708	120	25/26/25	17	M8	55	14	137	1000
K0204.12801	K0204.12803	K0204.12827	128	21/20/21	13	M6	50	12	141	1000
K0204.1280108	K0204.1280308	K0204.1282708	128	25/26/25	17	M8	55	14	145	1000
K0204.1600106	K0204.1600306	K0204.1602706	160	21/20/21	13	M6	50	12	173	1000
K0204.16001	K0204.16003	K0204.16027	160	25/26/25	17	M8	55	14	177	1000
K0204.18001	K0204.18003	K0204.18027	180	25/26/25	17	M8	55	14	197	1000
K0204.19201	K0204.19203	K0204.19227	192	25/26/25	17	M8	55	14	209	1000
K0204.35001	K0204.35003	K0204.35027	350	25/26/25	17	M8	55	14	367	1000

Pull handles oval

with thru hole



Material:

Oval aluminium EN AW-6060

Version:

Black or ruby red RAL 3003, powder-coated.

Sample order:

K0204.11120105

Assembly:

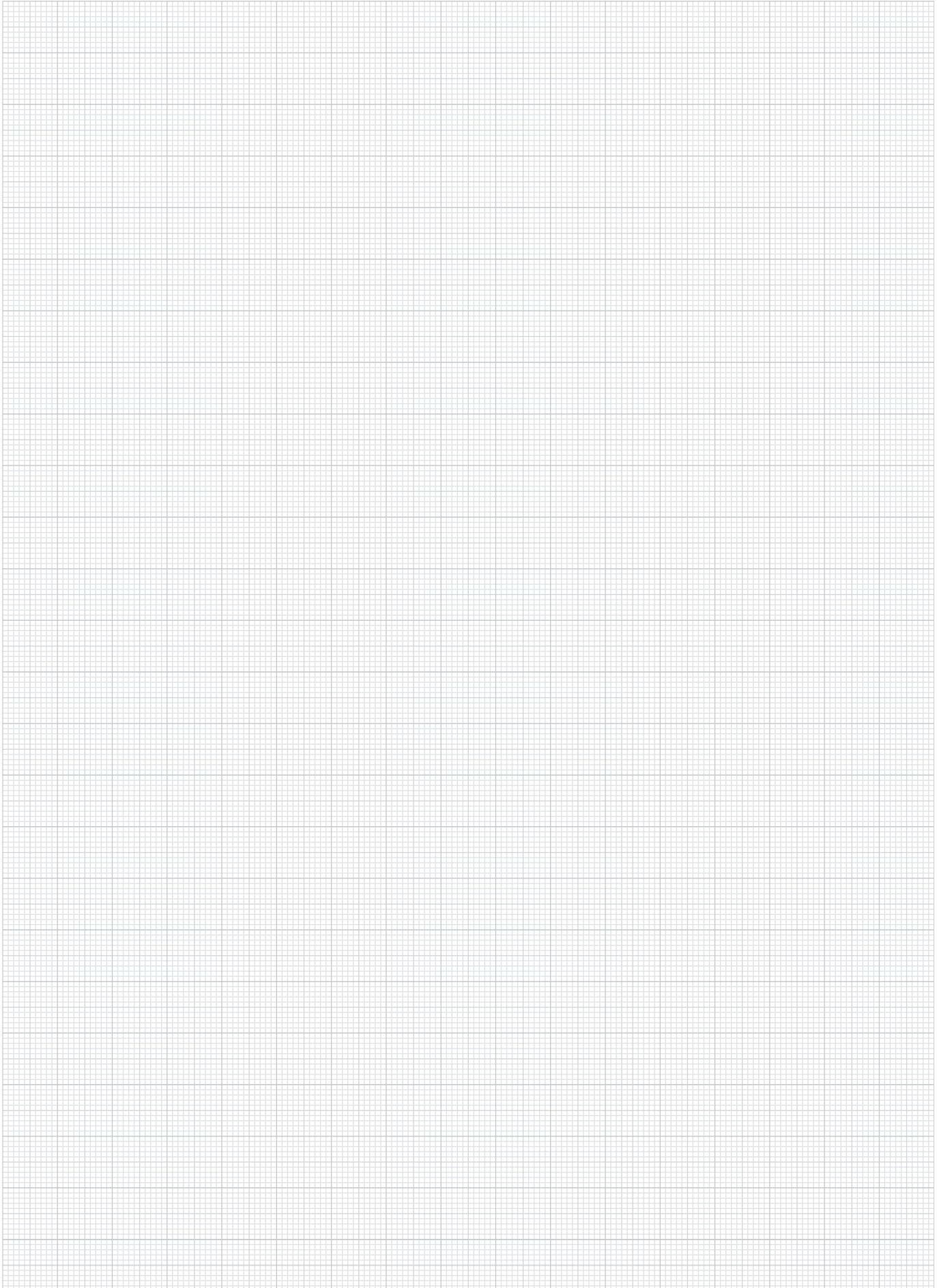
From the front.

Accessories:

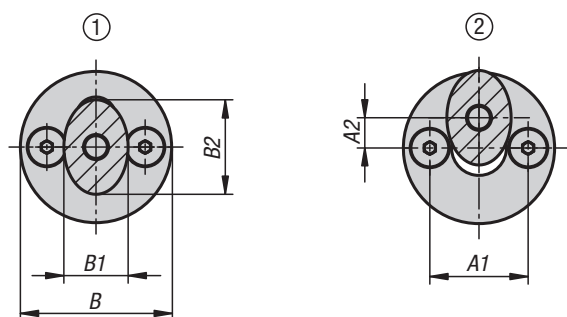
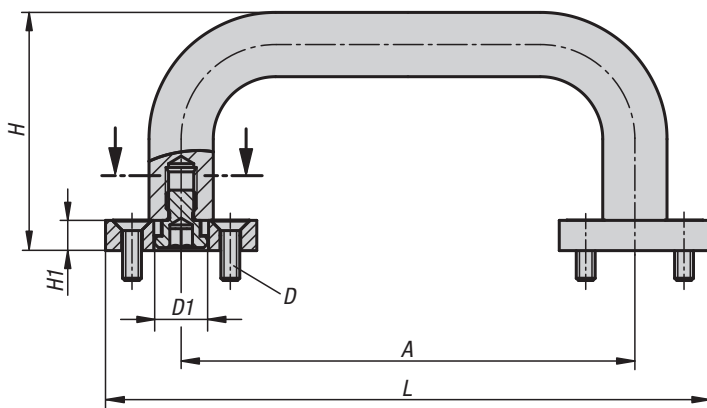
Suitable screws for mounting the handles:
ISO 4762-M5/M6 cap screws.

KIPP Pull handles, oval with thru hole

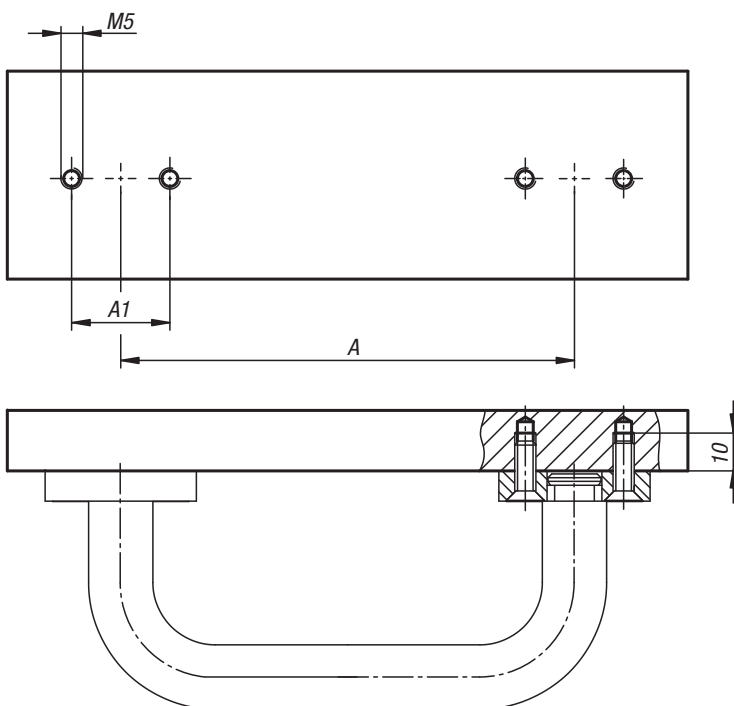
Order No. black powder-coated	Order No. red RAL3003 powder-coated	A	B	B1	D	H	L	T	Load capacity N
K0204.11000105	K0204.11002705	100	21	13	5,5	50	113	13,6	1000
K0204.11120105	K0204.11122705	112	21	13	5,5	50	125	13,6	1000
K0204.11120106	K0204.11122706	112	25	17	6,6	55	129	11	1000
K0204.11200105	K0204.11202705	120	21	13	5,5	50	133	13,6	1000
K0204.11200106	K0204.11202706	120	25	17	6,6	55	137	11	1000
K0204.11280105	K0204.11282705	128	21	13	5,5	50	141	13,6	1000
K0204.11280106	K0204.11282706	128	25	17	6,6	55	145	11	1000
K0204.11600105	K0204.11602705	160	21	13	5,5	50	173	13,6	1000
K0204.11600106	K0204.11602706	160	25	17	6,6	55	177	11	1000
K0204.11800106	K0204.11802706	180	25	17	6,6	55	197	11	1000



Pull handles oval detachable



mounting instructions:



Material:

Pull handle oval aluminium EN AW-6060.
 Locating pin free-cutting steel 1.0718.
 Blanking disc free-cutting steel 1.0718.

Version:

Pull handle black powder-coated.
 Locating pin black oxidised.
 Blanking disc black oxidised.

Sample order:

K0204.10012001

Note:

The pull handles are mounted on an object by a push-fit system.
 Dismantling is carried out when no load is applied.

Application:

Insert the pull handle into the opening until the grip makes contact with the blanking disc.
 Lock by holding the handle parallel and pulling up.
 The grip can only be subject to vertical loads.
 To release, follow the previous instructions in reverse.

Assembly:

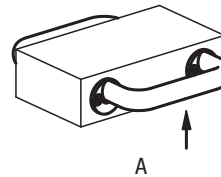
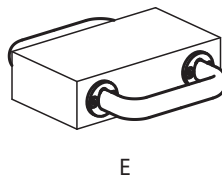
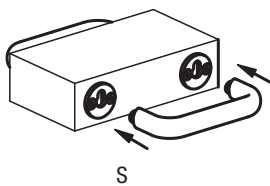
An object must be prepared before the blanking disc can be mounted.
 See mounting instructions drawing.

Drawing reference:

- 1) Position disengaged
- 2) Position engaged

S = insert
 E = engage
 A = lift

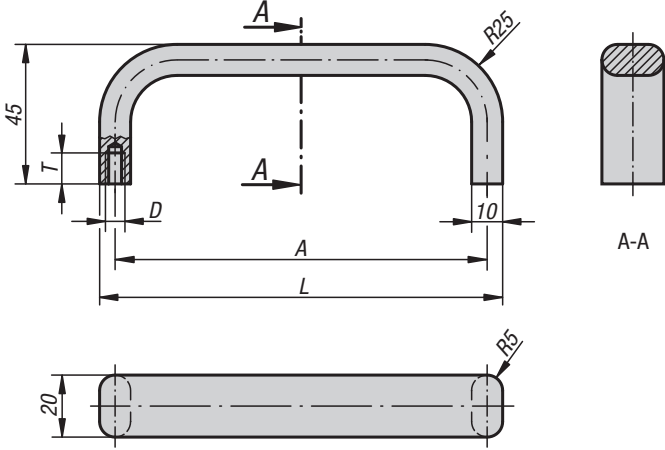
Pull handles oval detachable



KIPP Pull handles oval detachable

Order No.	A	A1	A2	B	B1	B2	D	D1	H	H1	L	Load capacity N
K0204.10012001	100	24	7	35	13	21	M5x16	12	58	8	135	1000
K0204.11212001	112	24	7	35	13	21	M5x16	12	58	8	147	1000
K0204.11214001	112	26	8	40	15	25	M5x16	14	63	8	152	1000
K0204.12012001	120	24	7	35	13	21	M5x16	12	58	8	155	1000
K0204.12014001	120	26	8	40	17	25	M5x16	14	63	8	160	1000
K0204.12812001	128	24	7	35	13	21	M5x16	12	58	8	163	1000
K0204.12814001	128	26	8	40	17	25	M5x16	14	63	8	168	1000
K0204.16012001	160	24	7	35	13	21	M5x16	12	58	8	195	1000
K0204.16014001	160	26	8	40	17	25	M5x16	14	63	8	200	1000
K0204.18014001	180	26	8	40	17	25	M5x16	14	63	8	220	1000
K0204.19214001	192	26	8	40	17	25	M5x16	14	63	8	232	1000
K0204.35014001	350	26	8	40	17	25	M5x16	14	63	8	390	1000

Pull handles



Material:
Profile aluminium EN AW-6060

Version:
Matt-finished, black or natural colour anodized

Sample order:
K0205.18001

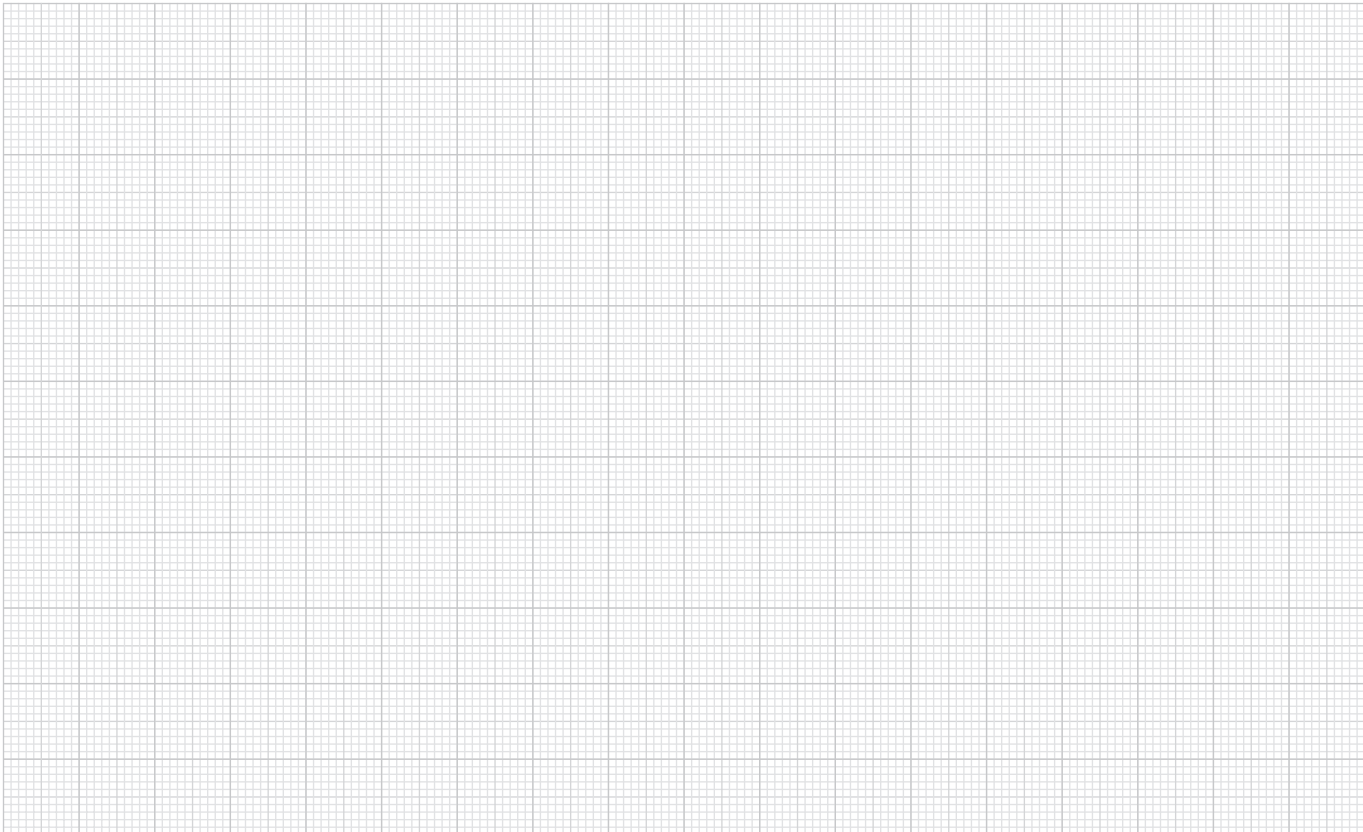
Note:
These elegant flat profile aluminium handles are especially suitable for machines, fixtures, equipment etc.

Assembly:
From the rear.

KIPP Pull handles

Order No. black anodized	Order No. natural anodized	A	D	L	T	Load capacity N
K0205.12001	K0205.12003	120	M5	130	10	500
K0205.18001	K0205.18003	180	M5	190	10	500
K0205.20001	K0205.20003	200	M5	210	10	500
K0205.35001	K0205.35003	350	M6	360	12	500

Notes



Pull handles

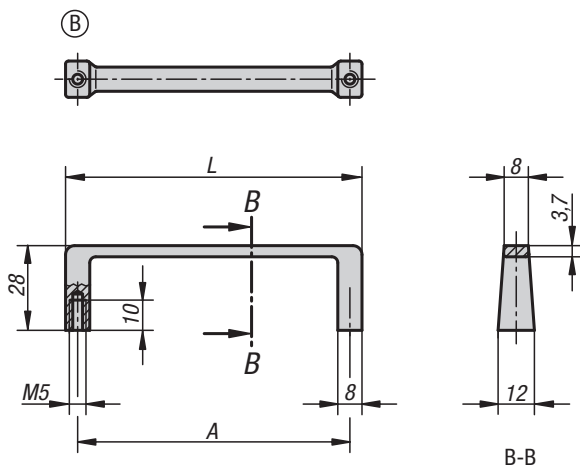
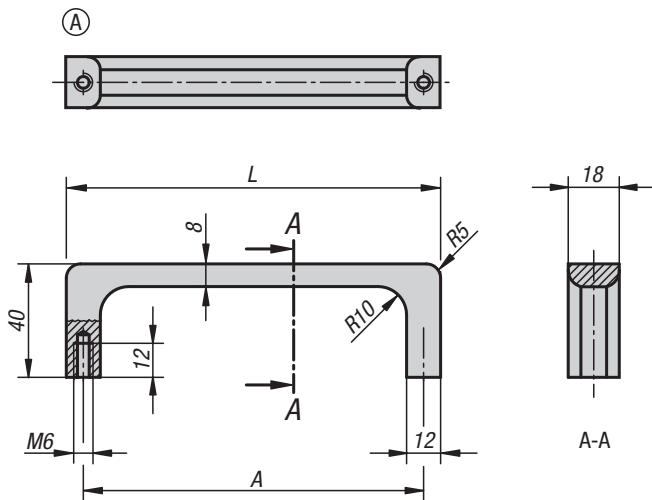


Material:
Profile aluminium EN AW-6060

Version:
Matt-finished, black anodized or natural colour anodized

Sample order:
K0213.12001

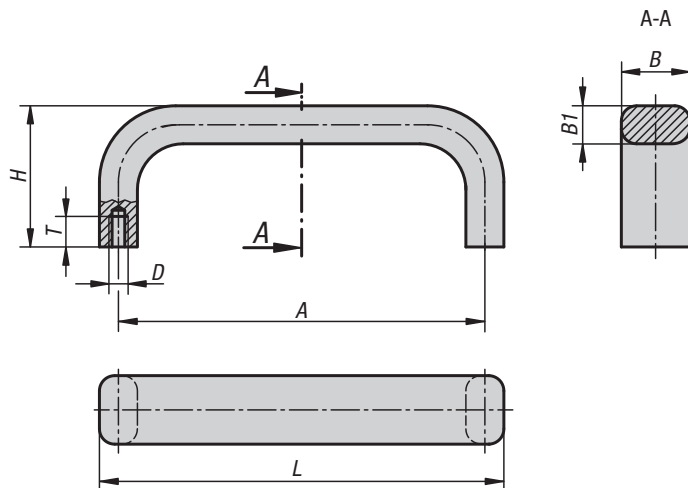
Assembly:
From the rear.



KIPP Pull handles

Order No.	Form	Main colour	A	L	Load capacity N
K0213.12001	A	black anodized	120	132	500
K0213.09001	B	black anodized	90	98	300
K0213.12003	A	natural anodized	120	132	500
K0213.09003	B	natural anodized	90	98	300

Pull handles



Material:
Aluminium.

Version:
Matt-finished, black anodized or natural colour anodized

Sample order:
K1091.088053

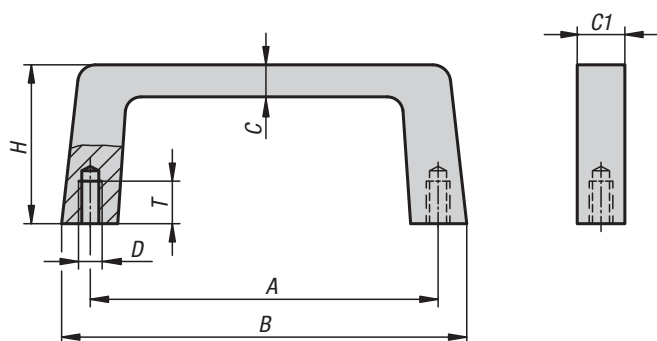
Note for ordering:
Fastening screws included.

Assembly:
From the rear.

KIPP Pull handles

Order No. natural anodized	Order No. black anodized	A	B	B1	D	H	L	T	Load capacity N
K1091.055053	K1091.055051	55	12	8	M5	29	63	10	750
K1091.088053	K1091.088051	88	12	8	M5	29	96	10	750
K1091.100053	K1091.100051	100	12	8	M5	39	108	10	750
K1091.120053	K1091.120051	120	15	10	M5	39	130	10	750
K1091.180053	K1091.180051	180	15	10	M5	39	190	10	750
K1091.235053	K1091.235051	235	15	10	M5	39	245	10	750

Pull handles



Material:
Aluminium.

Version:
Matt-finished, black anodized or natural colour anodized

Sample order:
K1075.088053

Note for ordering:
Fastening screws included.

Assembly:
From the rear.

KIPP Pull handles

Order No. natural anodized	Order No. black anodized	A	B	C	C1	D	H	T	Load capacity N
K1075.055053	K1075.055051	55	69	8	12,2	M5	40	10	750
K1075.088053	K1075.088051	88	102	8	12,2	M5	40	10	750
K1075.120053	K1075.120051	120	134	8	12,2	M5	40	10	750
K1075.180053	K1075.180051	180	194	8	12,2	M5	40	10	750
K1075.235053	-	235	249	8	12,2	M5	40	10	750

Pull handles angled

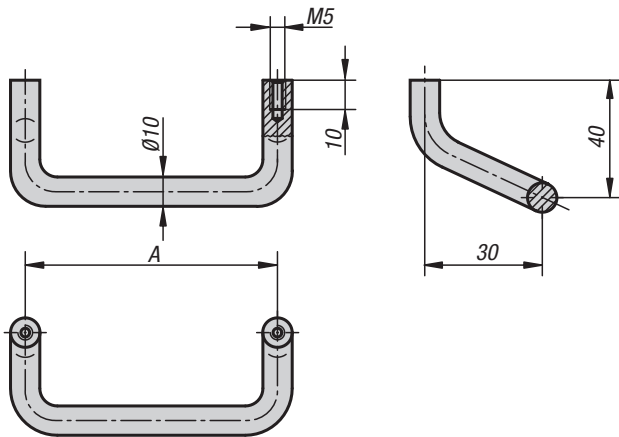


Material:
Aluminium.

Version:
Matt-finished, black anodized or natural colour anodized.

Sample order:
K0219.12001

Assembly:
From the rear.



KIPP Pull handles angled

Order No. black anodized	Order No. natural anodized	A	Load capacity N
K0219.08601	K0219.08603	86	500
K0219.12001	K0219.12003	120	500
K0219.18001	K0219.18003	180	500

Pull handles angled



Material:
Round aluminium EN AW-6060

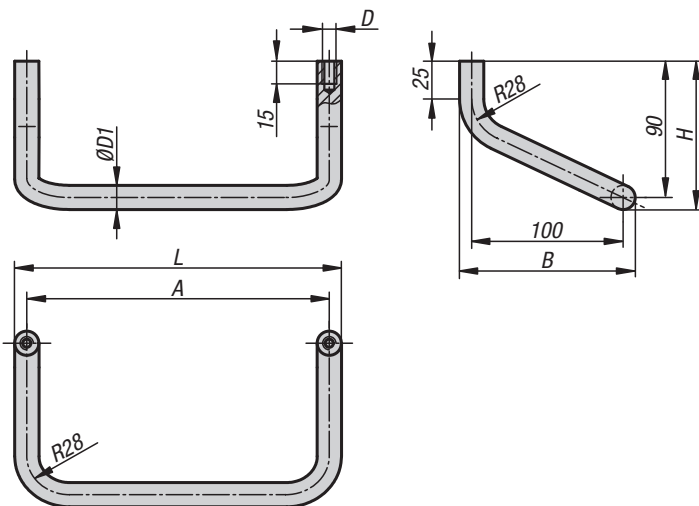
Version:
Ground, glass blasted and matt-gloss black anodized.

Sample order:
K0229.20016

Note:
End washers not included.

Assembly:
From the rear.

On request:
Any handle length.

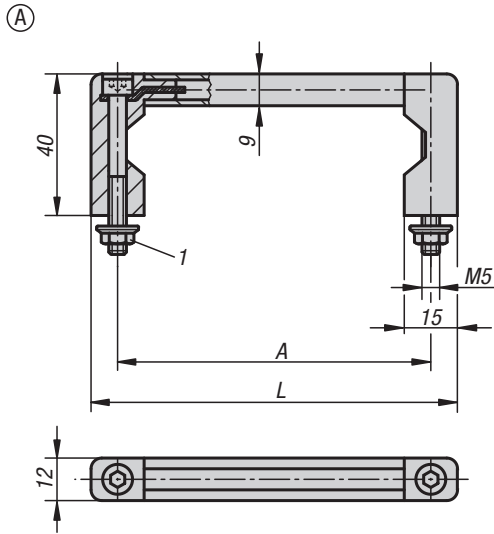


KIPP Pull handles angled

Order No.	A	B	D	D1	H	L	Load capacity N	Order No. end washer
K0229.20016	200	116	M8	16	98	216	1000	K0229.16
K0229.25016	250	116	M8	16	98	266	1000	K0229.16
K0229.30016	300	116	M8	16	98	316	1000	K0229.16
K0229.40016	400	116	M8	16	98	416	1000	K0229.16
K0229.50018	500	118	M8	18	99	518	1000	K0229.18

Pull handles

19"



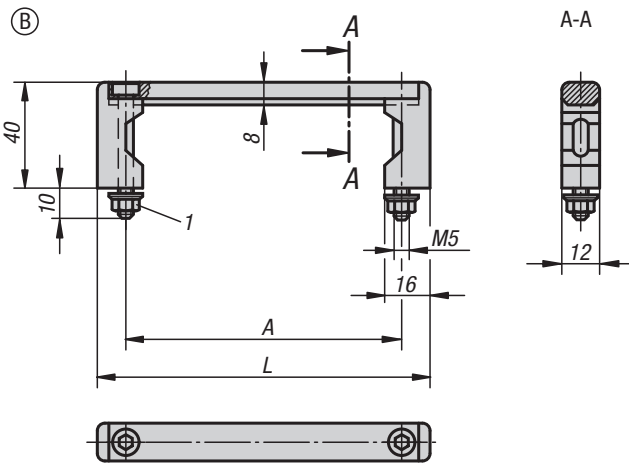
Material:
Grip aluminium.
Legs glass-bead reinforced polyamide.

Version:
Grip matt-finished and natural tone or black anodized.
Legs fine structure semi-matt, black.

Sample order:
K0216.10001

Assembly:
From the front.

Drawing reference:
1) Toothed locknut

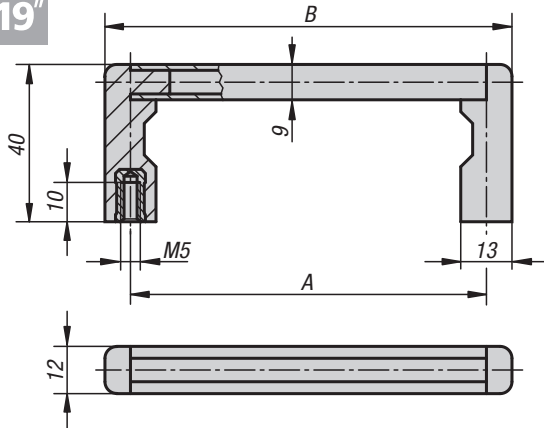


KIPP Pull handles

Order No. black anodized	Order No. natural anodized	Form	A	L	Load capacity N
K0216.05501	K0216.05503	A	55	70	1000
K0216.08801	K0216.08803	A	88	103	1000
K0216.10001	K0216.10003	A	100	115	1000
K0216.12001	K0216.12003	A	120	135	1000
K0216.18001	K0216.18003	A	180	195	1000
K0216.23501	K0216.23503	A	235	250	1000
K0216.055101	K0216.055103	B	55	75	1000
K0216.088101	K0216.088103	B	88	108	1000
K0216.100101	K0216.100103	B	100	120	1000
K0216.120101	K0216.120103	B	120	140	1000
K0216.180101	K0216.180103	B	180	200	1000
K0216.235101	K0216.235103	B	235	255	1000

Pull handles

19"



Material:
Grip aluminium.
Legs high-strength plastic

Version:
Grip natural colour or black anodized.

Sample order:
K0217.05501

Note:
Shorten the aluminium grip to reduce the handle length.

Assembly:
From the rear.

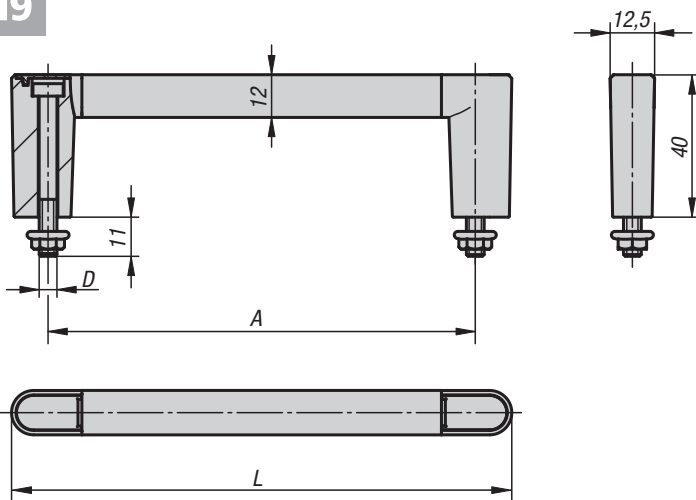
KIPP Pull handles

Order No. black anodized	Order No. natural anodized	A	B	Load capacity N
K0217.05501	K0217.05503	55	69	1000
K0217.08801	K0217.08803	88	102	1000
K0217.10001	K0217.10003	100	114	1000
K0217.12001	K0217.12003	120	134	1000
K0217.18001	K0217.18003	180	194	1000
K0217.23501	K0217.23503	235	249	1000

K1127

Pull handles

19"



Material:
Grip aluminium.
Legs and cap PA 6.
Screw and flange nut steel.

Version:
Grip natural colour or black anodized.
Screw and flange nut galvanized.

Sample order:
K1127.120203

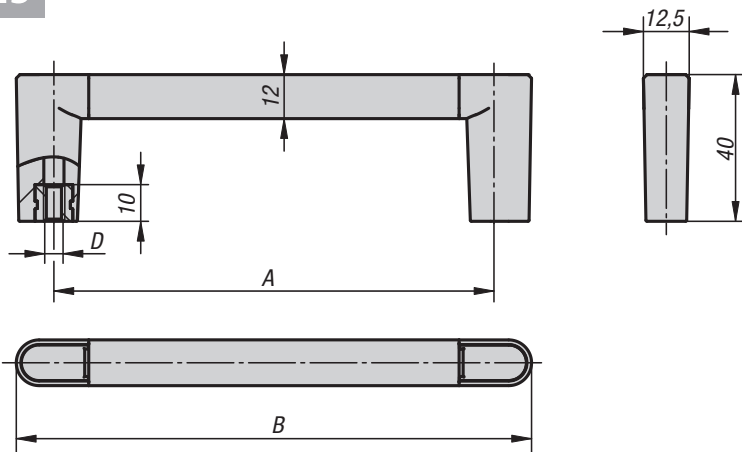
Note:
- 19"
- Closed design
- Simple assembly
- The cap is tapped on using a plastic hammer

KIPP Pull handles

Order No. black anodized	Order No. natural anodized	A	D	L	Load capacity N
K1127.055201	K1127.055203	55	M5	75,5	1000
K1127.088201	K1127.088203	88	M5	108,5	1000
K1127.100201	K1127.100203	100	M5	120,5	1000
K1127.120201	K1127.120203	120	M5	140,5	1000
K1127.180201	K1127.180203	180	M5	200,5	1000
K1127.235201	K1127.235203	235	M5	255,5	1000

Pull handles

19"



Material:
Grip aluminium.
Legs and cap PA 6.
Tapped bush steel.

Version:
Grip natural colour or black anodized.
Tapped bush galvanized.

Sample order:
K1128.120101

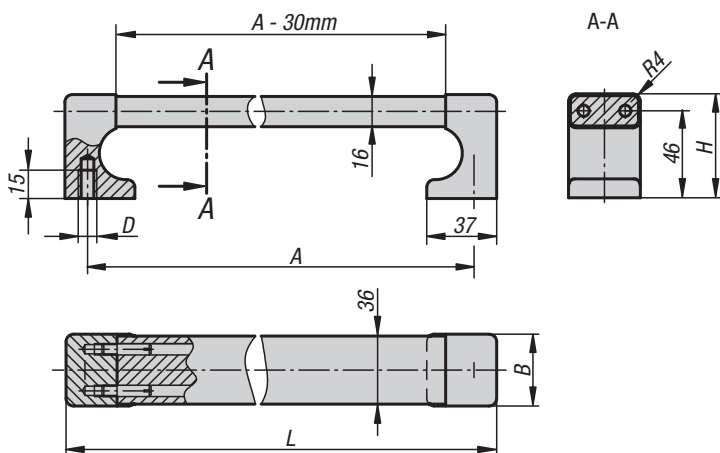
Note:
- 19"
- Closed design
- Simple assembly
- The cap is tapped on using a plastic hammer

KIPP Pull handles

Order No. black anodized	Order No. natural anodized	A	B	D	Load capacity N
K1128.055101	K1128.055103	55	75,5	M5	1000
K1128.088101	K1128.088103	88	108,5	M5	1000
K1128.100101	K1128.100103	100	120,5	M5	1000
K1128.120101	K1128.120103	120	140,5	M5	1000
K1128.180101	K1128.180103	180	200,5	M5	1000
K1128.235101	K1128.235103	235	255,5	M5	1000

K0228

Pull handles



Material:
Legs and grip aluminium EN AW-6060.
Connecting pins stainless steel.

Version:
Legs and grip finely ground, black anodized or natural colour anodized.

Sample order:
K0228.250081

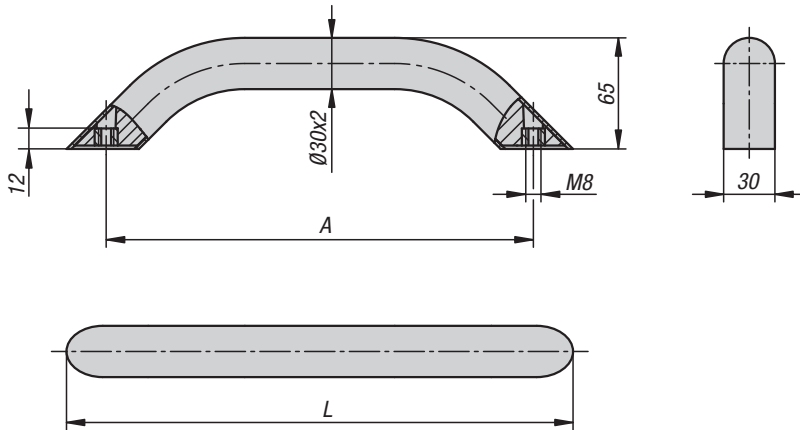
Note:
The solid construction permits this handle series to also be used as edge protectors.

Assembly:
From the rear.

KIPP Pull handles

Order No. black anodized	Order No. natural anodized	A	B	D	H	L	Load capacity N
K0228.250081	K0228.250083	250	38	M8	55	274	1000
K0228.300081	K0228.300083	300	38	M8	55	324	1000
K0228.400081	K0228.400083	400	38	M8	55	424	1000
K0228.500081	K0228.500083	500	38	M8	55	524	1000
K0228.600081	K0228.600083	600	38	M8	55	624	1000

Tubular handles compact



Material:

Aluminium EN AW-6060

Version:

Anodised natural tone or powder-coated black, ruby red RAL 3003 or traffic red RAL 3020.

Sample order:

K0795.300083

Note:

The grip impresses with its solid look combined with its low weight.

Closed design due to rear fastening.

Assembly:

When fitting, both screws must be screwed in first before tightening.

KIPP Tubular handles compact

Order No.	Main colour	A	L	Load capacity N
K0795.250083	natural anodized	250	296,4	1000
K0795.300083	natural anodized	300	346,4	1000
K0795.400083	natural anodized	400	446,4	1000
K0795.500083	natural anodized	500	546,4	1000
K0795.250081	black powder-coated	250	296,4	1000
K0795.300081	black powder-coated	300	346,4	1000
K0795.400081	black powder-coated	400	446,4	1000
K0795.500081	black powder-coated	500	546,4	1000
K0795.2500827	red RAL3003 powder-coated	250	296,4	1000
K0795.3000827	red RAL3003 powder-coated	300	346,4	1000
K0795.4000827	red RAL3003 powder-coated	400	446,4	1000
K0795.5000827	red RAL3003 powder-coated	500	546,4	1000
K0795.2500884	red RAL 3020 powder-coated	250	296,4	1000
K0795.3000884	red RAL 3020 powder-coated	300	346,4	1000
K0795.4000884	red RAL 3020 powder-coated	400	446,4	1000
K0795.5000884	red RAL 3020 powder-coated	500	546,4	1000

Tubular handles compact

oval



Material:

Profile aluminium EN AW-6060

Version:

Anodised natural tone or powder-coated black, ruby red RAL 3003 or traffic red RAL 3020.

Sample order:

K0796.400083

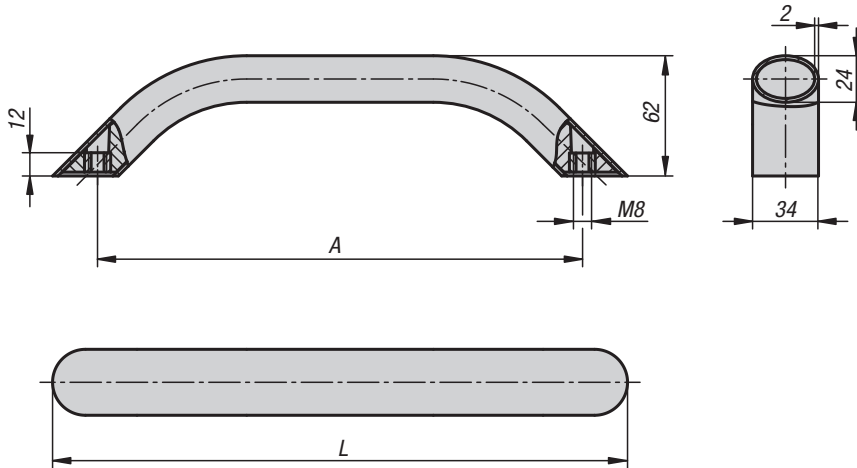
Note:

The grip impresses with its solid look combined with its low weight.

Closed design due to rear fastening.

Assembly:

When fitting, both screws must be screwed in first before tightening.



KIPP Tubular handles compact oval

Order No.	Main colour	A	L	Load capacity N
K0796.250083	natural anodized	250	296,4	1000
K0796.300083	natural anodized	300	346,4	1000
K0796.400083	natural anodized	400	446,4	1000
K0796.500083	natural anodized	500	546,4	1000
K0796.250081	black powder-coated	250	296,4	1000
K0796.300081	black powder-coated	300	346,4	1000
K0796.400081	black powder-coated	400	446,4	1000
K0796.500081	black powder-coated	500	546,4	1000
K0796.2500827	red RAL3003 powder-coated	250	296,4	1000
K0796.3000827	red RAL3003 powder-coated	300	346,4	1000
K0796.4000827	red RAL3003 powder-coated	400	446,4	1000
K0796.5000827	red RAL3003 powder-coated	500	546,4	1000
K0796.2500884	red RAL 3020 powder-coated	250	296,4	1000
K0796.3000884	red RAL 3020 powder-coated	300	346,4	1000
K0796.4000884	red RAL 3020 powder-coated	400	446,4	1000
K0796.5000884	red RAL 3020 powder-coated	500	546,4	1000

Tubular handles

adjustable



Material:

Grip tube EN AW-6060.
 Mounting bracket EN AW-6063.
 End caps thermoplastic.
 Grub screw ISO 4766-14H.

Version:

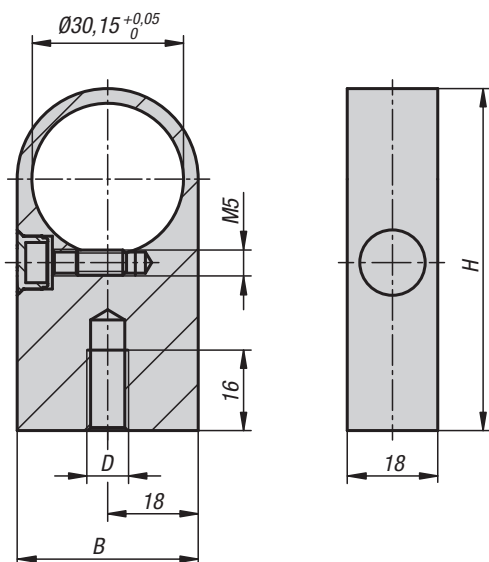
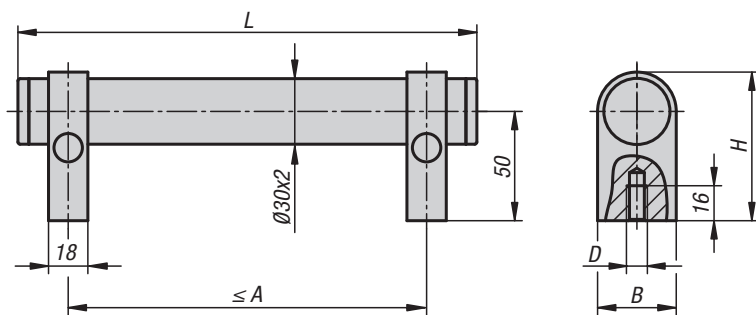
Grip tube anodized natural tone.
 Mounting brackets anodized natural tone or black.
 Grip end piece, black.
 Bracket end cap light grey or black.

Sample order:

K1018.2503011

Note:

The adjustable tubular handles are supplied unassembled.
 The centre distance for the tubular handles can be freely determined.
 The recommended maximum centre distance can be found in the table under A max.
 Additional mounting brackets can be included for long handle lengths or high loads.
 The mounting brackets are supplied unassembled.



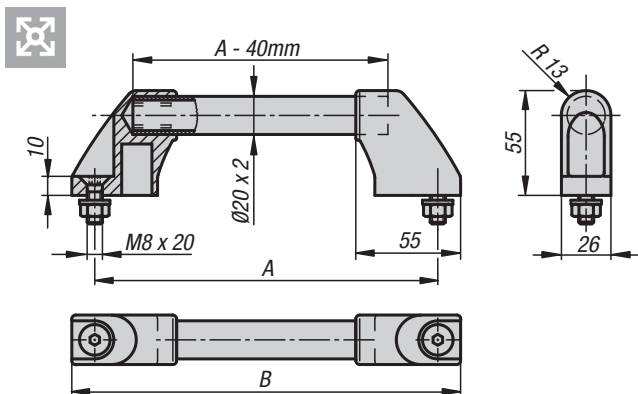
KIPP Tubular handles adjustable

Order No.	Main colour	Component colour	A max.	B	D	H	L	Load capacity N
K1018.2503011	natural anodized	natural anodized	220	36	M8	68	250	1000
K1018.3003011	natural anodized	natural anodized	270	36	M8	68	300	1000
K1018.4003011	natural anodized	natural anodized	370	36	M8	68	400	1000
K1018.5003011	natural anodized	natural anodized	470	36	M8	68	500	1000
K1018.6003011	natural anodized	natural anodized	570	36	M8	68	600	1000
K1018.2503012	natural anodized	black anodized	220	36	M8	68	250	1000
K1018.3003012	natural anodized	black anodized	270	36	M8	68	300	1000
K1018.4003012	natural anodized	black anodized	370	36	M8	68	400	1000
K1018.5003012	natural anodized	black anodized	470	36	M8	68	500	1000
K1018.6003012	natural anodized	black anodized	570	36	M8	68	600	1000

KIPP Mounting brackets

Order No.	Main colour	B	D	H
K1018.08301	natural anodized	36	M8	68
K1018.08302	black anodized	36	M8	68

Tubular handles



Material:
 Legs black glass-bead reinforced thermoplastic.
 Grip tube aluminium.

Version:
 Form A
 Grip, ground and natural colour anodised
 Form B
 Grip with serrated plastic sheath.

KIPP Pull handles tubular

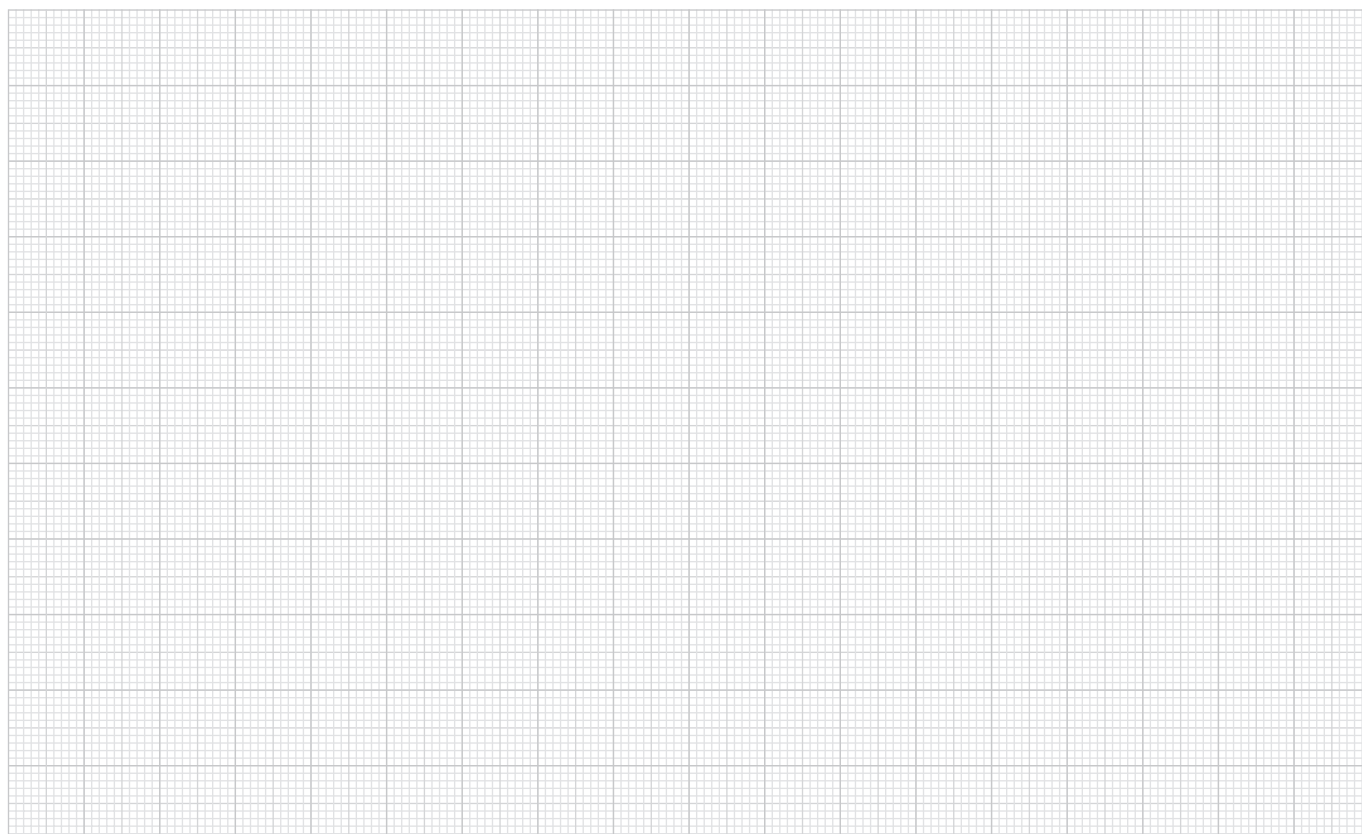
Order No. Form A	Order No. Form B	A	B	Load capacity N
K0210.180	K0210.1803	180	204	500
K0210.200	K0210.2003	200	224	500
K0210.250	K0210.2503	250	274	500
K0210.300	K0210.3003	300	324	500
K0210.350	K0210.3503	350	374	500
K0210.400	K0210.4003	400	424	500
K0210.500	K0210.5003	500	524	500
K0210.600	K0210.6003	600	624	500

Sample order:
 K0210.200

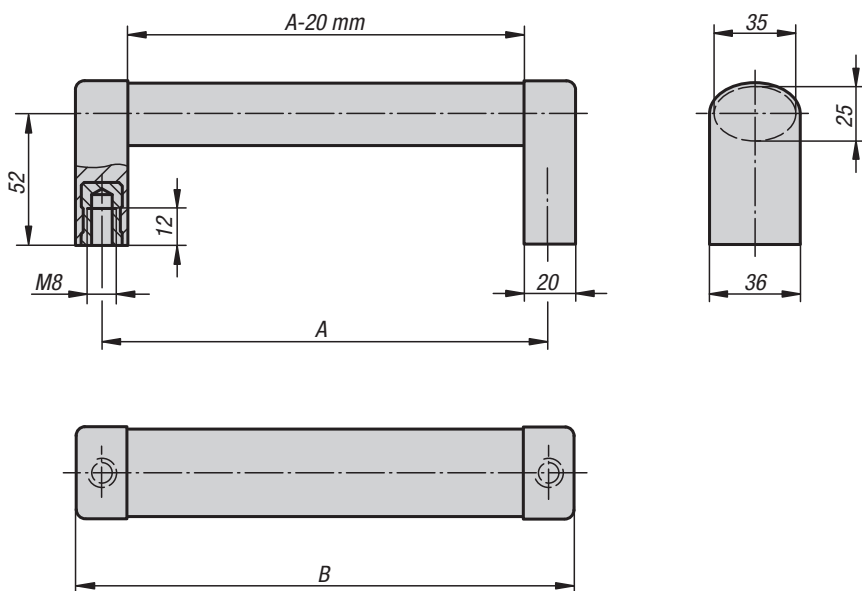
Note:
 The legs have 4 webs in the hole for the grip tube.
 When pushing the tube in, these are trimmed off and
 produce a precise seating.
 Black galvanized fastening screws, suitable washers
 and nuts are supplied.

Assembly:
 From the front.

Notes



Tubular handles



Material:

Grip aluminium EN AW-6060.
 Legs polyamide glass-bead reinforced.
 Bushing brass.
 Clamping sleeves stainless steel.

Version:

Grip natural colour or black anodized.
 Legs aluminium colour or black.

Sample order:

K0211.1200081

Note:

Oval-profile handles for joining together. Version with plastic legs and aluminium oval grip.

Assembly:

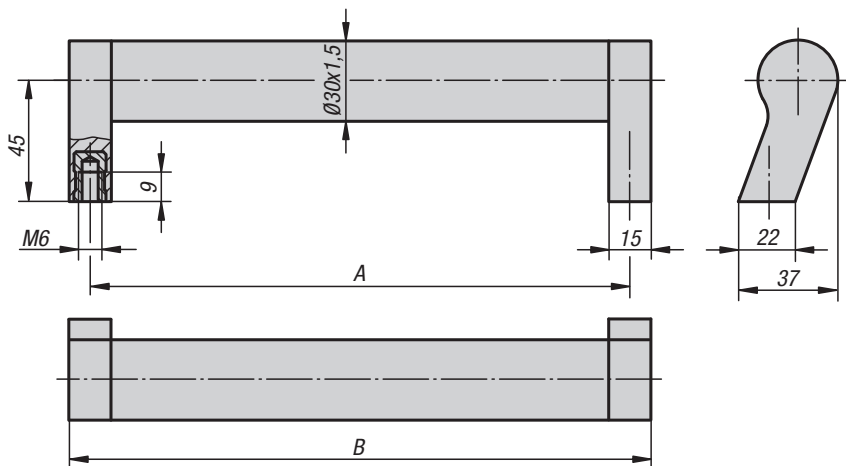
From the rear.

KIPP Tubular handles

Order No.	Main colour	Component colour	A	B	Load capacity N
K0211.1200081	natural anodized	aluminium tone	200	220	1000
K0211.1250081	natural anodized	aluminium tone	250	270	1000
K0211.1300081	natural anodized	aluminium tone	300	320	1000
K0211.1400081	natural anodized	aluminium tone	400	420	1000
K0211.1500081	natural anodized	aluminium tone	500	520	1000
K0211.1200082	natural anodized	black	200	220	1000
K0211.1250082	natural anodized	black	250	270	1000
K0211.1300082	natural anodized	black	300	320	1000
K0211.1400082	natural anodized	black	400	420	1000
K0211.1500082	natural anodized	black	500	520	1000
K0211.1200083	black anodized	black	200	220	1000
K0211.1250083	black anodized	black	250	270	1000
K0211.1300083	black anodized	black	300	320	1000
K0211.1400083	black anodized	black	400	420	1000
K0211.1500083	black anodized	black	500	520	1000

Tubular handles

oblique



Material:
Grip tube aluminium EN AW-6060;
Legs polyamide, glass-bead reinforced;
Bushing brass

Version:
Tube matt-polished anodized.
Legs black

Sample order:
K0212.2150061

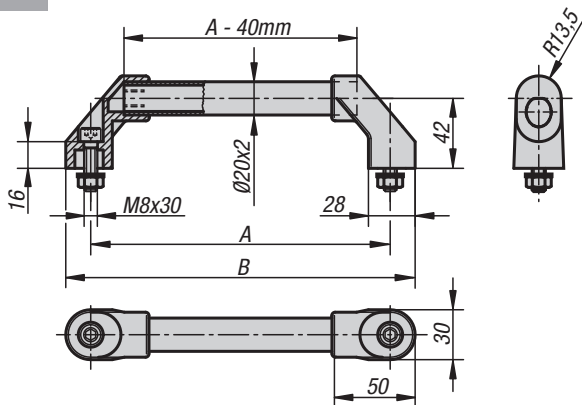
Note:
Oblique tubular pull handles in modern industrial design. Webs on the leg spigot provide a precision fit for the tube.

Assembly:
From the rear.

KIPP Tubular handles, oblique

Order No.	A	B	Load capacity N
K0212.2150061	150	165	800
K0212.2200061	200	215	800
K0212.2250061	250	265	800
K0212.2300061	300	315	800
K0212.2350061	350	365	800
K0212.2400061	400	415	800

Tubular handles



Material:
Legs black glass-bead reinforced thermoplastic.
Grip aluminium EN AW-6060.

Version:
Form A
Grip, ground and natural colour anodised.
Form B
Grip with serrated plastic sheath.

Sample order:
K0221.3001

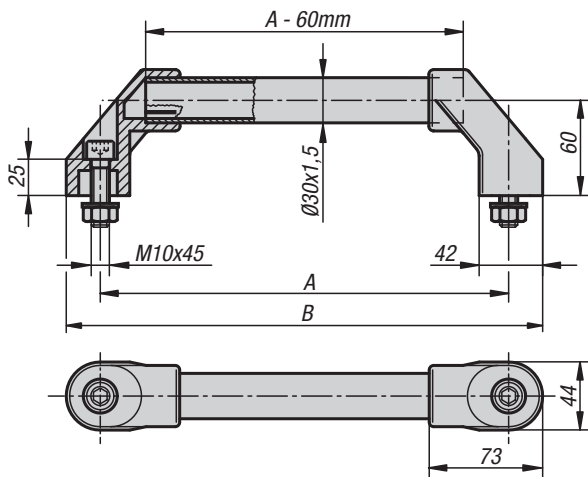
Note:
The legs have 4 webs in the hole for the grip tube. When pushing the tube in these are trimmed off and produce a precise seating. Black galvanized fastening screws, suitable washers and nuts are supplied.

Assembly:
From the front.

KIPP Tubular handles

Order No. Form A	Order No. Form B	A	B	Load capacity N
K0221.1801	K0221.1802	180	210	1000
K0221.2001	K0221.2002	200	230	1000
K0221.2501	K0221.2502	250	280	1000
K0221.3001	K0221.3002	300	330	1000
K0221.3501	K0221.3502	350	380	1000
K0221.4001	K0221.4002	400	430	1000
K0221.5001	K0221.5002	500	530	1000
K0221.6001	K0221.6002	600	630	1000

Tubular handles



Material:

Legs black glass-bead reinforced thermoplastic.
Grip aluminium EN AW-6060 or stainless steel 1.4301.

Version:

Form A
Grip, ground and natural colour anodised.
Form B
Grip with serrated plastic sheath.
Form C
Grip, stainless steel, finely ground.

Sample order:

K0222.3501

Note:

The legs have 4 webs in the hole for the grip tube. When pushing the tube in these are trimmed off and produce a precise seating. Black galvanized fastening screws, suitable washers and nuts are supplied.

Form A grip ground and natural colour anodised.

Form B grip with serrated plastic coating.

Form C grip stainless steel, finely ground.

Assembly:

From the front.

KIPP Tubular handles

Order No. Form A	Order No. Form B	Order No. Form C	A	B	Load capacity N
K0222.2501	K0222.2502	K0222.2503	250	294	1000
K0222.3001	K0222.3002	K0222.3003	300	344	1000
K0222.3501	K0222.3502	K0222.3503	350	394	1000
K0222.4001	K0222.4002	K0222.4003	400	444	1000
K0222.5001	K0222.5002	K0222.5003	500	544	1000
K0222.6001	K0222.6002	K0222.6003	600	644	1000

Tubular handles



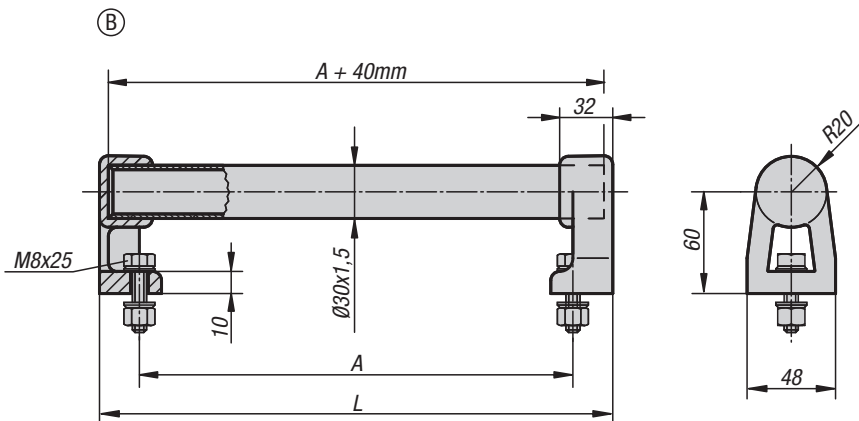
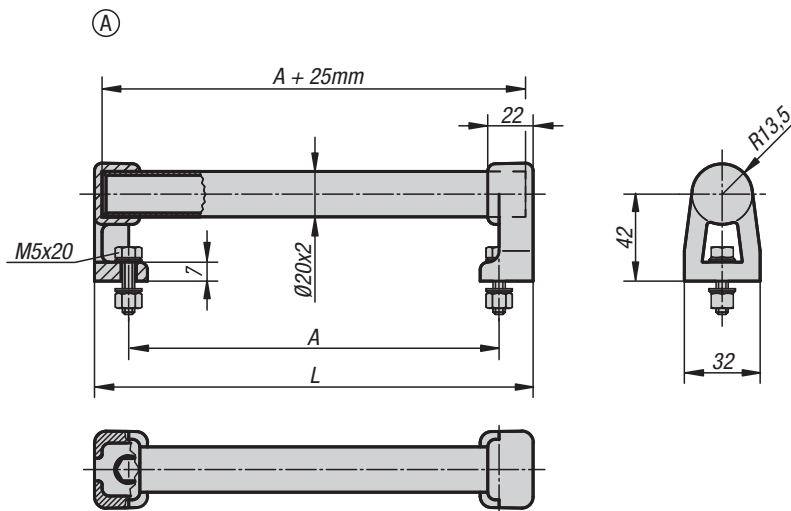
Material:
Grip aluminium EN AW-6060.
Legs glass-bead reinforced polyamide.

Version:
Grip natural colour anodized or with black serrated plastic cover.

Sample order:
K0223.150203

Note:
The legs have 2 or 4 PVC profile pins in the hole for the grip tube. When pushing the tube in these are trimmed off and produce a precise seating. Black galvanized fastening screws, suitable washers and nuts are supplied.

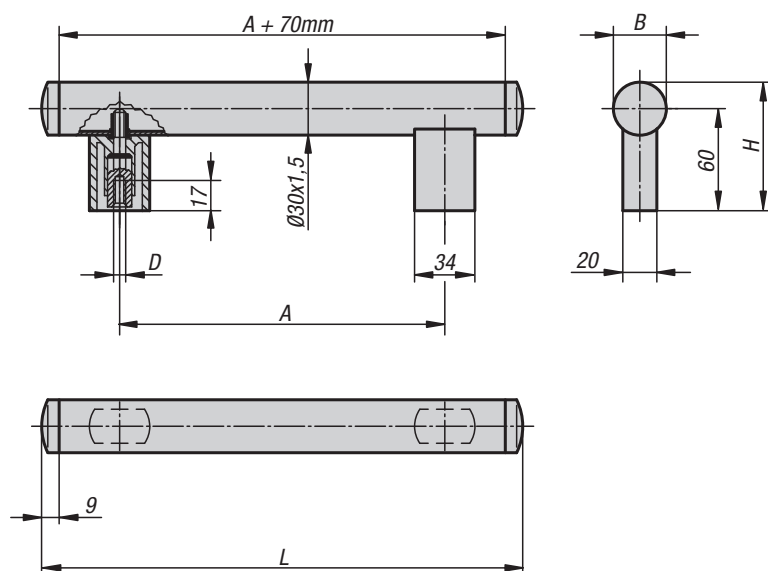
Assembly:
From the front.



KIPP Tubular handles

Order No. natural anodized	Order No. ribbed black plastic	Form	A	L	Load capacity N
K0223.150203	K0223.150202	A	150	184	1000
K0223.200203	K0223.200202	A	200	234	1000
K0223.300203	K0223.300202	A	300	334	1000
K0223.400203	K0223.400202	A	400	434	1000
K0223.500203	K0223.500202	A	500	534	1000
K0223.150303	K0223.150302	B	150	200	1000
K0223.200303	K0223.200302	B	200	250	1000
K0223.300303	K0223.300302	B	300	350	1000
K0223.400303	K0223.400302	B	400	450	1000
K0223.500303	K0223.500302	B	500	550	1000

Tubular handles



Material:

Legs and tube cap glass-bead reinforced polyamide.
Grip aluminium EN AW-6060.

Version:

Grip finely ground and black anodized or natural colour anodized.

Legs and tube cap semi-matt with fine texture, black.

Sample order:

K0224.200061

Note:

The legs and tube are fastened together with pull-out resistant rivet nuts.

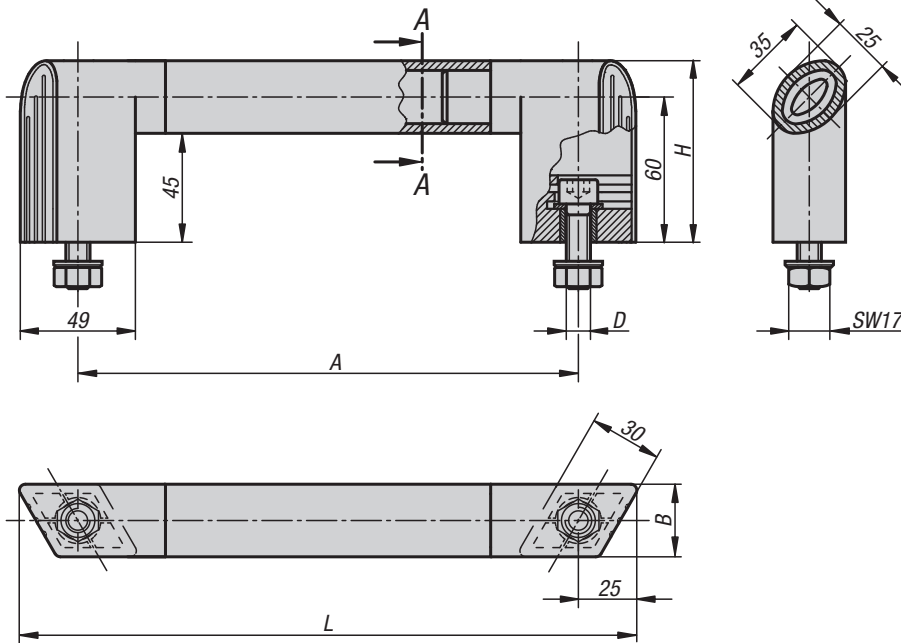
Assembly:

From the rear.

KIPP Tubular handles

Order No.	Main colour	A	B	D	H	L	Load capacity N
K0224.200061	black anodized	200	30	M6	75	288	800
K0224.250061	black anodized	250	30	M6	75	338	800
K0224.300061	black anodized	300	30	M6	75	388	800
K0224.400061	black anodized	400	30	M6	75	488	800
K0224.500061	black anodized	500	30	M6	75	588	800
K0224.200063	natural anodized	200	30	M6	75	288	800
K0224.250063	natural anodized	250	30	M6	75	338	800
K0224.300063	natural anodized	300	30	M6	75	388	800
K0224.400063	natural anodized	400	30	M6	75	488	800
K0224.500063	natural anodized	500	30	M6	75	588	800

Tubular handles "Bighand"



Secure gripping with the NOVO grip Bighand. The form of this heavy duty handle allows it to conform to any application where a robust grip with good haptic and optic is required.

Material:
Legs thermoplastic.
Oval grip aluminium.

Version:
Legs black grey.
Oval grip coated or anodized.

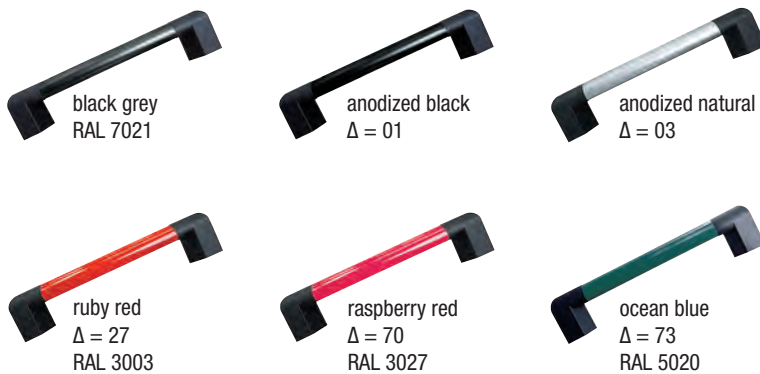
Sample order:
K0231.118070 (grip colour raspberry red)

Note:
The leg caps are supplied loose.
Supplied with:
For fastening versions 1+2 (DIN 912 cap screw) one set of M10 screws.
For fastening version 3 (DIN 571 hex head wood screw) one set of M5 screws with dowels, one drilling template and the mounting instructions.

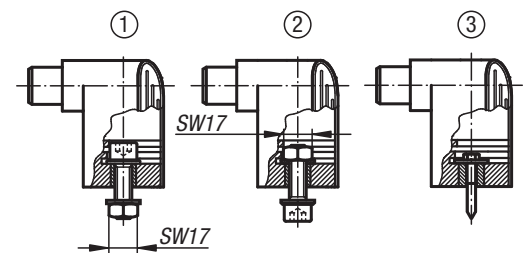
Δ Add the desired colour code here. No colour code is required for black grey grips.

On request:
Centre distance "A" in special lengths.

colour codes:



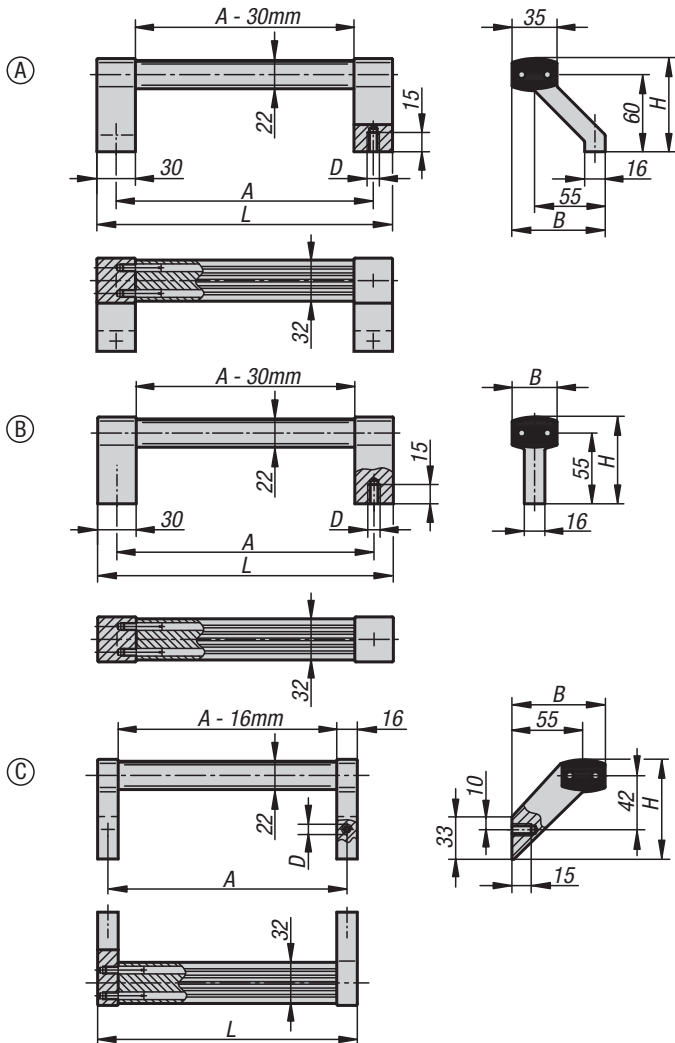
Mounting options



KIPP Tubular handles "Bighand"

Order No. version 1+2	Order No. version 3	A	B	D	H	L	Load capacity N
K0231.1180Δ	K0231.118011Δ	180	32	M10x45/M5x50	75	230	1000/-
K0231.1200Δ	K0231.120011Δ	200	32	M10x45/M5x50	75	250	1000/-
K0231.1250Δ	K0231.125011Δ	250	32	M10x45/M5x50	75	300	1000/-
K0231.1300Δ	K0231.130011Δ	300	32	M10x45/M5x50	75	350	1000/-
K0231.1350Δ	K0231.135011Δ	350	32	M10x45/M5x50	75	400	1000/-
K0231.1400Δ	K0231.140011Δ	400	32	M10x45/M5x50	75	450	1000/-
K0231.1500Δ	K0231.150011Δ	500	32	M10x45/M5x50	75	550	1000/-
K0231.1600Δ	K0231.160011Δ	600	32	M10x45/M5x50	75	650	1000/-

Tubular handles



Material:

Legs and grip aluminium profile EN AW-6060.
Connecting pins stainless steel.

Version:

Legs glass-bead blasted and semi-matt black anodized.
Grip brushed and natural colour anodized, black anodized or titanium colour powder-coated.

Sample order:

K0131.2000811

Note:

These tubular handles are characterised by robust construction and high load rating.
M8x16 hexagon head DIN 933 galvanized screws and DIN EN ISO 7089 galvanized washers are included.

Assembly:

From the rear.

KIPP Tubular handles, Form A

Order No. grip black anodized	Order No. grip titanium tone powder-coated	Order No. grip natural tone anodized	A	B	D	H	L	Load capacity N
K0131.2000811	K0131.2000812	K0131.2000813	200	72,5	M8	72,5	230	1000
K0131.3000811	K0131.3000812	K0131.3000813	300	72,5	M8	72,5	330	1000
K0131.4000811	K0131.4000812	K0131.4000813	400	72,5	M8	72,5	430	1000
K0131.5000811	K0131.5000812	K0131.5000813	500	72,5	M8	72,5	530	1000

KIPP Tubular handles, Form B

Order No. grip black anodized	Order No. grip titanium tone powder-coated	Order No. grip natural tone anodized	A	B	D	H	L	Load capacity N
K0131.2000821	K0131.2000822	K0131.2000823	200	35	M8	67,5	230	1000
K0131.3000821	K0131.3000822	K0131.3000823	300	35	M8	67,5	330	1000
K0131.4000821	K0131.4000822	K0131.4000823	400	35	M8	67,5	430	1000
K0131.5000821	K0131.5000822	K0131.5000823	500	35	M8	67,5	530	1000

KIPP Tubular handles, Form C

Order No. grip black anodized	Order No. grip titanium tone powder-coated	Order No. grip natural tone anodized	A	B	D	H	L	Load capacity N
K0131.2000831	K0131.2000832	K0131.2000833	200	72,5	M8	77,5	216	1000
K0131.3000831	K0131.3000832	K0131.3000833	300	72,5	M8	77,5	316	1000
K0131.4000831	K0131.4000832	K0131.4000833	400	72,5	M8	77,5	416	1000
K0131.5000831	K0131.5000832	K0131.5000833	500	72,5	M8	77,5	516	1000

Tubular handles

angled



Material:

Legs EN AW-6060 extruded.
Grip inserts glass-bead reinforced thermoplastic.
Grip EN AW-6060.

Version:

Legs matt-gloss black anodized.
Grip insert black.
Grip fine ground and anodized, powder-coated or with serrated black plastic sleeve.

Sample order:

K0132.3001

Note:

The push-fit handle system shown here can be supplied as complete handles or as pre-assembled legs and grip inserts for mounting custom length grip tubes. The connection between leg and grip tube is splash-proof and absolutely tight.

Assembly:

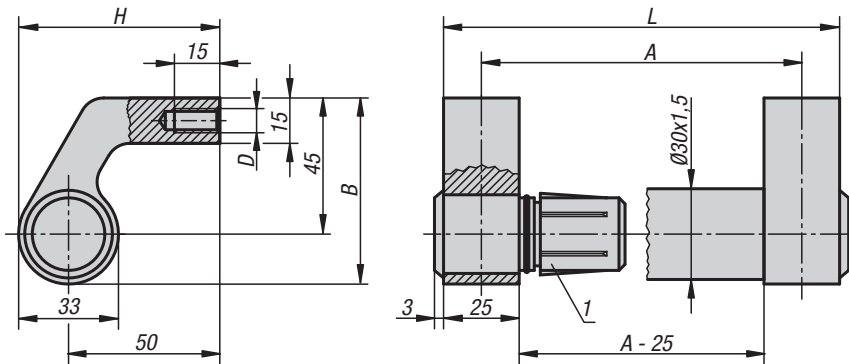
From the rear.

On request:

Supports for larger tube lengths.

Drawing reference:

1) grip insert



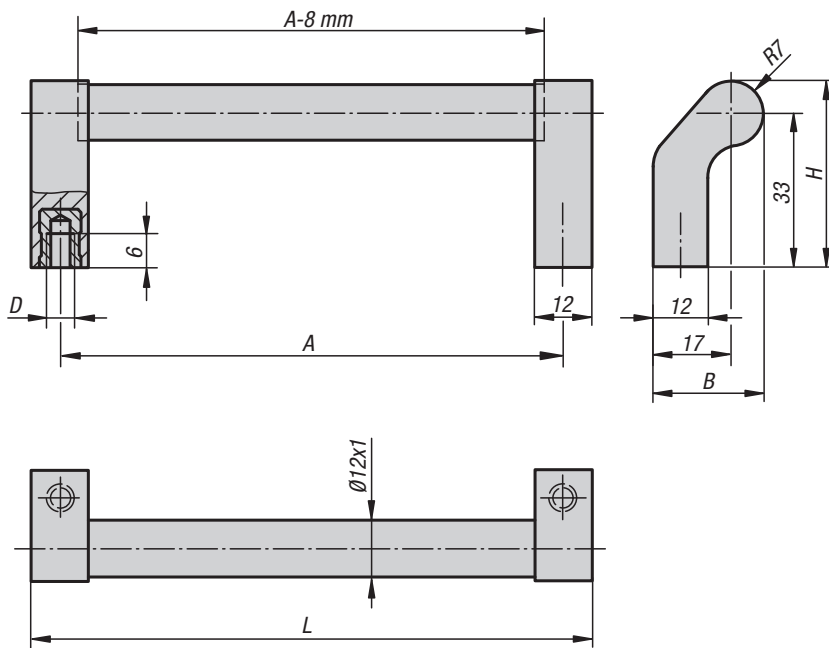
KIPP Tubular handles angled

Order No. natural anodized	Order No. black anodized	Order No. black powder-coated	Order No. black plastic ribbed	A	B	D	H	L	Load capacity N
K0132.2001	K0132.2002	K0132.2003	K0132.2004	200	61,5	M8	66,5	225	1000
K0132.2501	K0132.2502	K0132.2503	K0132.2504	250	61,5	M8	66,5	275	1000
K0132.3001	K0132.3002	K0132.3003	K0132.3004	300	61,5	M8	66,5	325	1000
K0132.3501	K0132.3502	K0132.3503	K0132.3504	350	61,5	M8	66,5	375	1000
K0132.4001	K0132.4002	K0132.4003	K0132.4004	400	61,5	M8	66,5	425	1000
K0132.5001	K0132.5002	K0132.5003	K0132.5004	500	61,5	M8	66,5	525	1000
K0132.6001	K0132.6002	K0132.6003	K0132.6004	600	61,5	M8	66,5	625	1000

Tubular handles

angled

19"



Material:

Grip aluminium EN AW-6060 or stainless steel 1.4301.
 Legs polyamide glass-bead reinforced.
 Bushing brass.

Version:

Grip natural colour, black anodized or finely ground stainless steel.
 Legs matt black.

Sample order:

K0235.088041

Note:

Clamping webs give a precision fit of tube to legs.

Assembly:

From the rear.

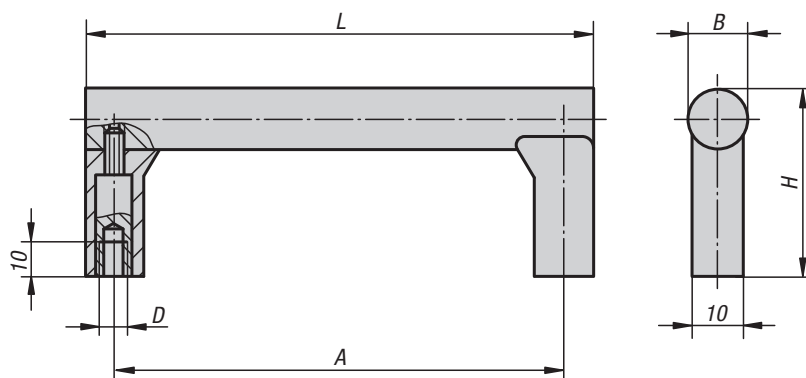
KIPP Tubular handles angled

Order No.	Main material	Main colour	A	B	D	H	L	Load capacity N
K0235.088041	aluminium	natural anodized	88	24	M4	40	100	200
K0235.096041	aluminium	natural anodized	96	24	M4	40	108	200
K0235.120041	aluminium	natural anodized	120	24	M4	40	132	200
K0235.128041	aluminium	natural anodized	128	24	M4	40	140	200
K0235.160041	aluminium	natural anodized	160	24	M4	40	172	200
K0235.180041	aluminium	natural anodized	180	24	M4	40	192	200
K0235.088042	aluminium	black anodized	88	24	M4	40	100	200
K0235.096042	aluminium	black anodized	96	24	M4	40	108	200
K0235.120042	aluminium	black anodized	120	24	M4	40	132	200
K0235.128042	aluminium	black anodized	128	24	M4	40	140	200
K0235.160042	aluminium	black anodized	160	24	M4	40	172	200
K0235.180042	aluminium	black anodized	180	24	M4	40	192	200
K0235.088043	stainless steel	ground	88	24	M4	40	100	200
K0235.096043	stainless steel	ground	96	24	M4	40	108	200
K0235.120043	stainless steel	ground	120	24	M4	40	132	200
K0235.128043	stainless steel	ground	128	24	M4	40	140	200
K0235.160043	stainless steel	ground	160	24	M4	40	172	200
K0235.180043	stainless steel	ground	180	24	M4	40	192	200

Tubular handles



19"



Material:

Grip aluminium EN AW-6060.
Legs polyamide glass-bead reinforced.
Bushing brass.

Version:

Grip fine ground and natural colour or black anodized.
Legs aluminium colour or black.

Sample order:

K0236.1055041

Note:

Grip and legs are screwed securely together.

Assembly:

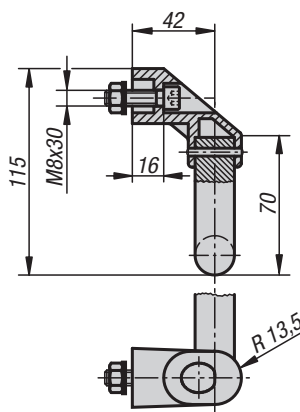
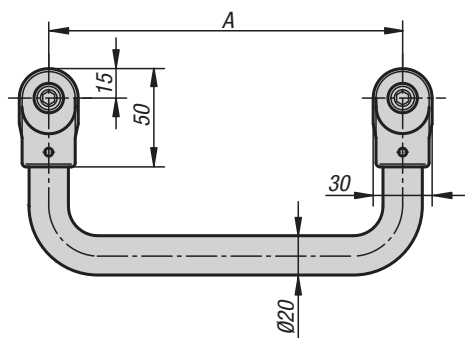
From the rear.

KIPP Tubular handles

Order No. natural anodized	Order No. black anodized	Component colour	A	B	D	H	L	Load capacity N
K0236.1055041	K0236.1055043	aluminium tone	55	12	M4	37	67	300
K0236.1088041	K0236.1088043	aluminium tone	88	12	M4	37	100	300
K0236.1100041	K0236.1100043	aluminium tone	100	12	M4	37	112	300
K0236.1120041	K0236.1120043	aluminium tone	120	12	M4	37	132	300
K0236.1180041	K0236.1180043	aluminium tone	180	12	M4	37	192	300
K0236.1055042	K0236.1055044	black	55	12	M4	37	67	300
K0236.1088042	K0236.1088044	black	88	12	M4	37	100	300
K0236.1100042	K0236.1100044	black	100	12	M4	37	112	300
K0236.1120042	K0236.1120044	black	120	12	M4	37	132	300
K0236.1180042	K0236.1180044	black	180	12	M4	37	192	300

Tubular handles

angled



Material:

Leg glass-bead reinforced thermoplastic.
Grip aluminium tube.

Version:

Black thermoplastic.
Anodized aluminium.

Sample order:

K0220.3002

Note:

The legs are pinned to the aluminium tube. Black galvanized socket head screws, nuts and washers are supplied.

Assembly:

From the front.

KIPP Tubular handles angled

Order No. natural anodized	Order No. black anodized	A	Load capacity N
K0220.2001	K0220.2002	200	800
K0220.2501	K0220.2502	250	800
K0220.3001	K0220.3002	300	800
K0220.3501	K0220.3502	350	800
K0220.4001	K0220.4002	400	800

Tubular handles



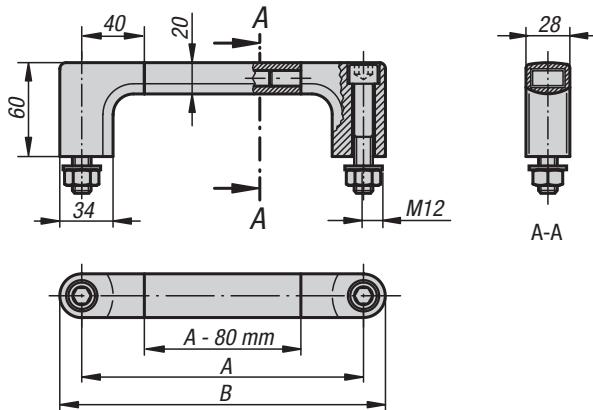
Material:
Aluminium.

Version:
Leg black powder-coated.
Grip natural colour anodized.

Sample order:
K0209.300

Note:
Black galvanized M12x70 hexagon socket bolts, suitable washers and nuts for fastening are supplied.

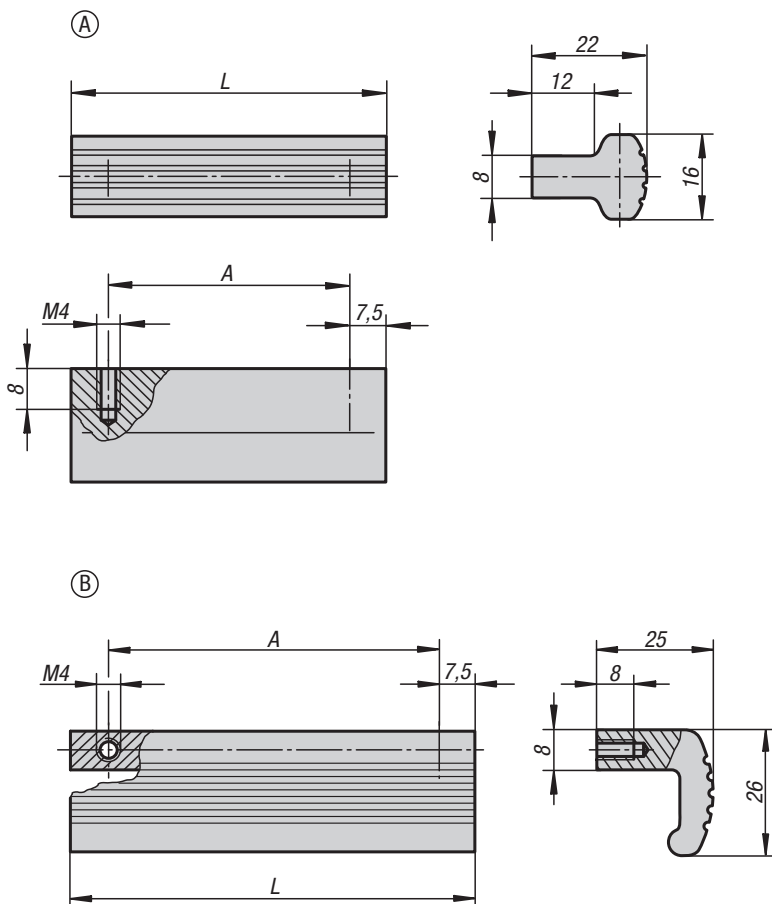
Assembly:
From the front.



KIPP Tubular handles

Order No.	A	B	Load capacity N
K0209.180	180	208	1000
K0209.200	200	228	1000
K0209.250	250	278	1000
K0209.300	300	328	1000
K0209.350	350	378	1000
K0209.400	400	428	1000
K0209.500	500	528	1000
K0209.600	600	628	1000

Ledge handles



Material:
Profile aluminium EN AW-6060

Version:
Profile aluminium vibration ground, matt-finished and natural colour or black anodized.

Sample order:
K0232.10301

Note:
All-purpose profile handles. Form A can also be used as excellent edge protection.

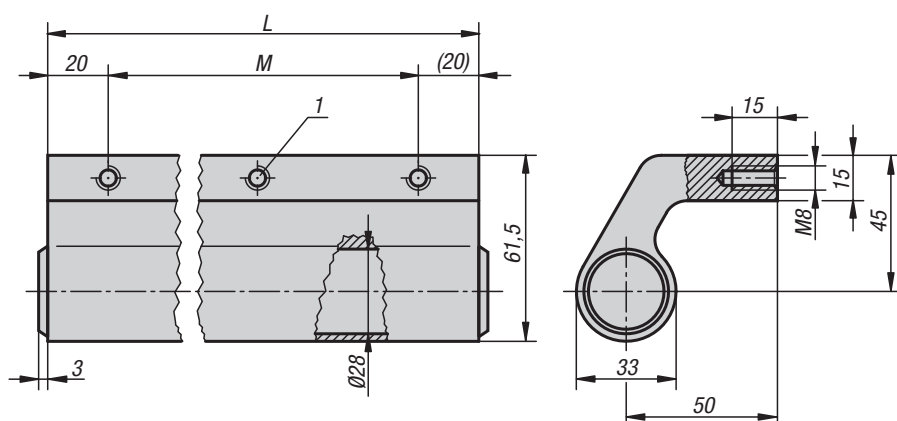
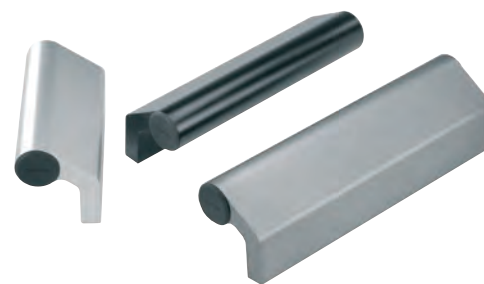
Assembly:
From the rear.

On request:
Any other lengths.

KIPP Ledge handles

Order No. natural anodized	Order No. black anodized	Form	A	L	Load capacity N
K0232.10301	K0232.10302	A	30	45	200
K0232.10451	K0232.10452	A	45	60	200
K0232.10701	K0232.10702	A	70	85	200
K0232.10901	K0232.10902	A	90	105	200
K0232.11051	K0232.11052	A	105	120	200
K0232.11201	K0232.11202	A	120	135	200
K0232.20301	K0232.20302	B	30	45	200
K0232.20451	K0232.20452	B	45	60	200
K0232.20701	K0232.20702	B	70	85	200
K0232.20901	K0232.20902	B	90	105	200
K0232.21051	K0232.21052	B	105	120	200
K0232.21201	K0232.21202	B	120	135	200

Ledge handles



Material:
Profile aluminium EN AW-6060.
End caps black thermoplastic.

Version:
Matt-gloss anodized.

Sample order:
K0130.3001

Note:
Ledge handles have many uses including sliding doors and technical installations. This ledge handle is also suitable as edge protection.

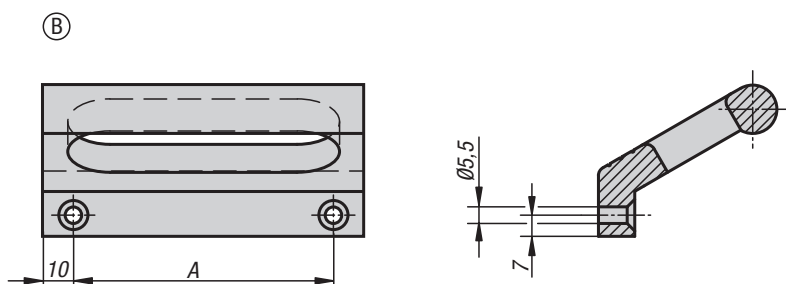
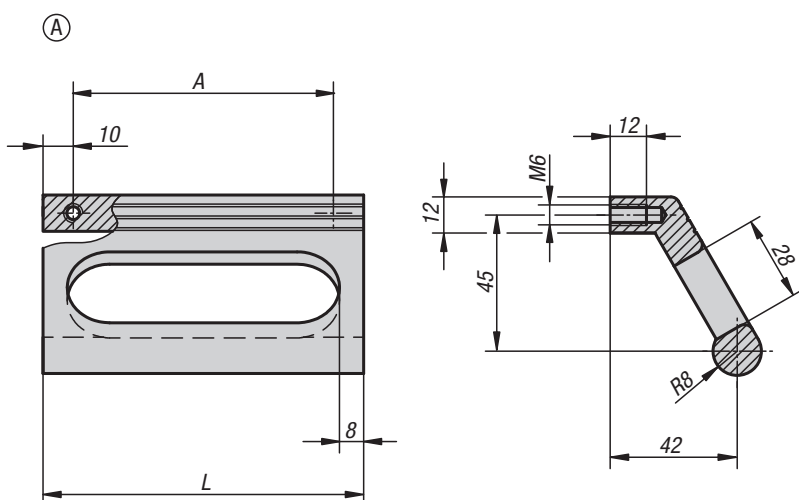
Assembly:
From the rear.

Drawing reference:
1) middle tapped hole only $L \geq 400$ mm

KIPP Ledge handles

Order No.	Main colour	L	M	Load capacity N
K0130.1501	natural anodized	150	110	1000
K0130.2001	natural anodized	200	160	1000
K0130.2501	natural anodized	250	210	1000
K0130.3001	natural anodized	300	260	1000
K0130.3501	natural anodized	350	310	1000
K0130.4001	natural anodized	400	360	1000
K0130.1502	black anodized	150	110	1000
K0130.2002	black anodized	200	160	1000
K0130.2502	black anodized	250	210	1000
K0130.3002	black anodized	300	260	1000
K0130.3502	black anodized	350	310	1000
K0130.4002	black anodized	400	360	1000
K0130.5002	black anodized	500	460	1000
K0130.6002	black anodized	600	560	1000

Ledge handles



Material:
Profile aluminium EN AW-6060

Version:
Matt-gloss anodized.

Sample order:
K0234.086061

Note:
These ledge handles are available with M6 internal thread or with through hole for M5 countersunk screws for front mounting.

Assembly:
Form A from the rear.
Form B from the front.

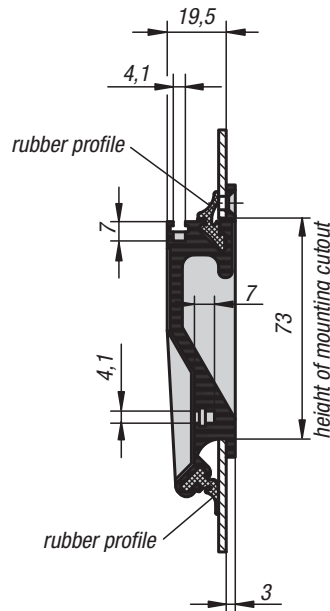
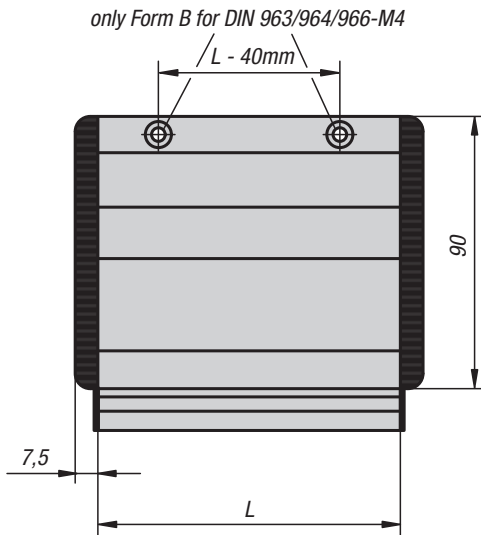
KIPP Ledge handles

Order No.	Form	Main colour	A	L	Load capacity N
K0234.086061	A	black anodized	86	106	500
K0234.100061	A	black anodized	100	120	500
K0234.120061	A	black anodized	120	140	500
K0234.086063	A	natural anodized	86	106	500
K0234.100063	A	natural anodized	100	120	500
K0234.120063	A	natural anodized	120	140	500
K0234.086051	B	black anodized	86	106	500
K0234.100051	B	black anodized	100	120	500
K0234.120051	B	black anodized	120	140	500
K0234.086053	B	natural anodized	86	106	500
K0234.100053	B	natural anodized	100	120	500
K0234.120053	B	natural anodized	120	140	500

Recessed handles



19"



Material:

Grip aluminium profile.
End caps polyamide.
Form A: rubber profile for mounting.
Form B: 2 steel countersunk screws for mounting.

Version:

Handle glass-bead blasted, satin finish and black anodized or natural colour anodized.
Rubber profile black.
Fastening screws galvanized.

Sample order:

K0238.10011

Note:

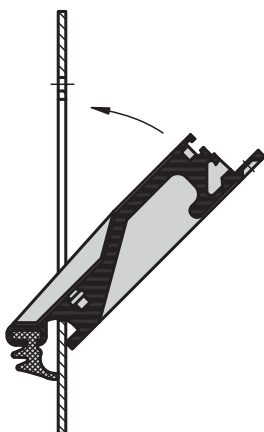
The Form A handles can be mounted without screws by material thicknesses of 1 - 2.5 mm. Two rubber profiles ensure an absolutely firm hold.
The Form B handles can be mounted from the front with 2 countersunk screws.

Two cross-slots offset by 90° for M4 screws allow an earthing cable to be connected and can serve as mounting aids for additional parts.

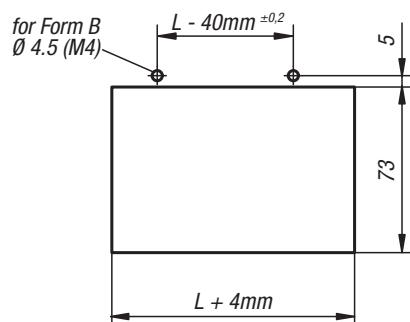
Assembly:

After fitting the lower rubber profile, press the two side caps onto the handle. Next press the handle over the lower edge of the mounting cutout at a 45° angle and then push it up against the housing panel.
Now, depending on which type is being used, push the 2nd rubber profile into the upper groove or fix in place with 2 countersunk screws.

installation



mounting cutout



KIPP Recessed handles

Order No. black anodized	Order No. natural anodized	Form	L	Mounting cutout	Load capacity N
K0238.10011	K0238.10013	A	100	104 x 73	500
K0238.11811	K0238.11813	A	118	122 x 73	500
K0238.16711	K0238.16713	A	167	171 x 73	500
K0238.10021	K0238.10023	B	100	104 x 73	500
K0238.11821	K0238.11823	B	118	122 x 73	500
K0238.16721	K0238.16723	B	167	171 x 73	500

Recessed handles

fold-down

19"



Material:

Tray and grip aluminium profile.
End caps polyamide.
Form A: Rubber profile for mounting.
Form B: 2 steel countersunk screws for mounting.

Version:

Tray and grip glass-bead blasted, satin finish and black anodized or natural colour anodized.
Rubber profile black.
Fastening screws galvanized

Sample order:

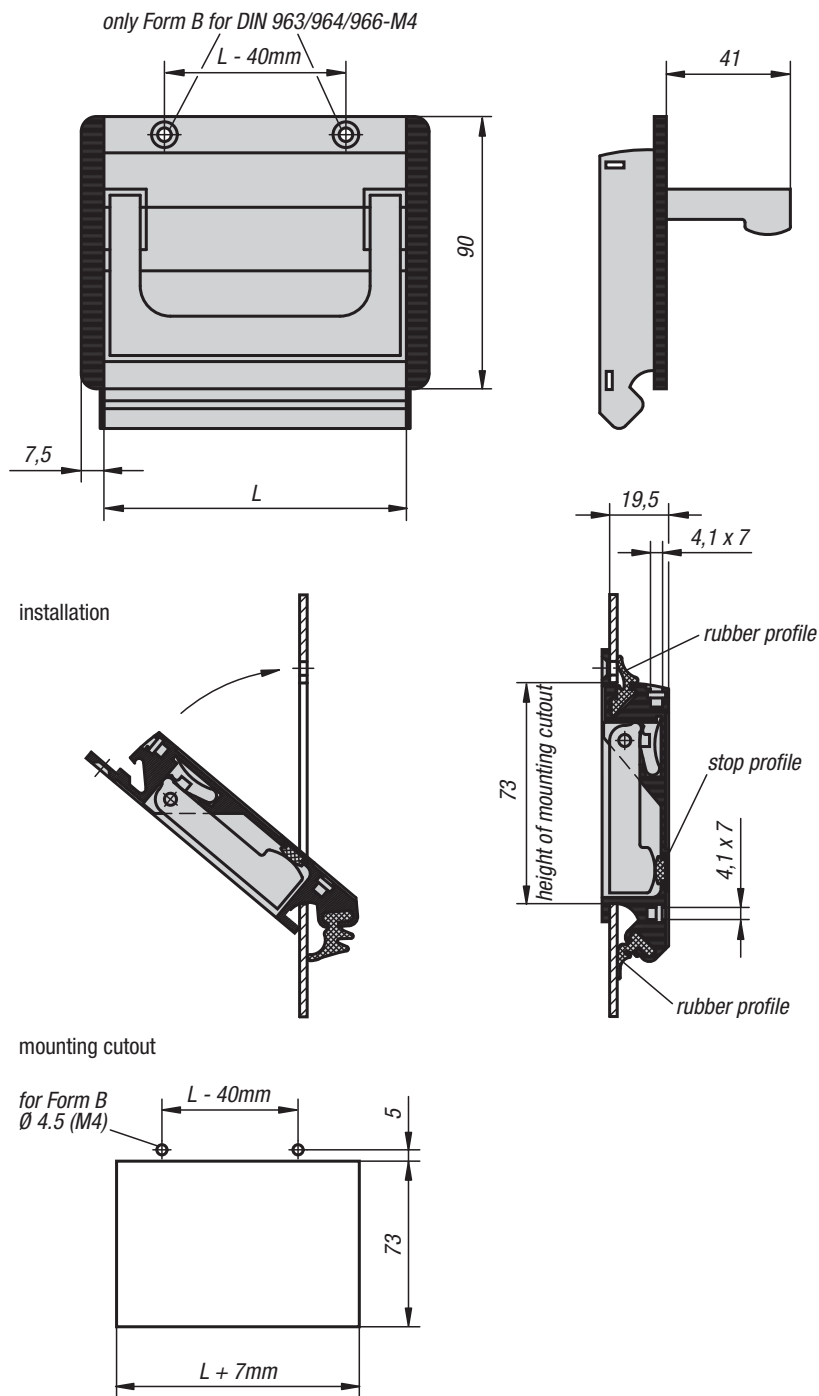
K0239.10011

Note:

Form A handles can be mounted without screws for material thicknesses of 1 - 2.5 mm using 2 rubber profiles.
Form B handles can be mounted from the front with 2 countersunk screws.
Two cross-slots for M4 screws allow earthing connection and can serve as a mounting aid for additional parts.

Assembly:

After fitting the lower rubber profile, press the two side caps onto the handle. Next press the handle over the lower edge of the mounting cutout at a 45° angle and then push it up against the housing panel.
Now push the 2nd rubber profile into the upper groove or fix in place with 2 countersunk screws.



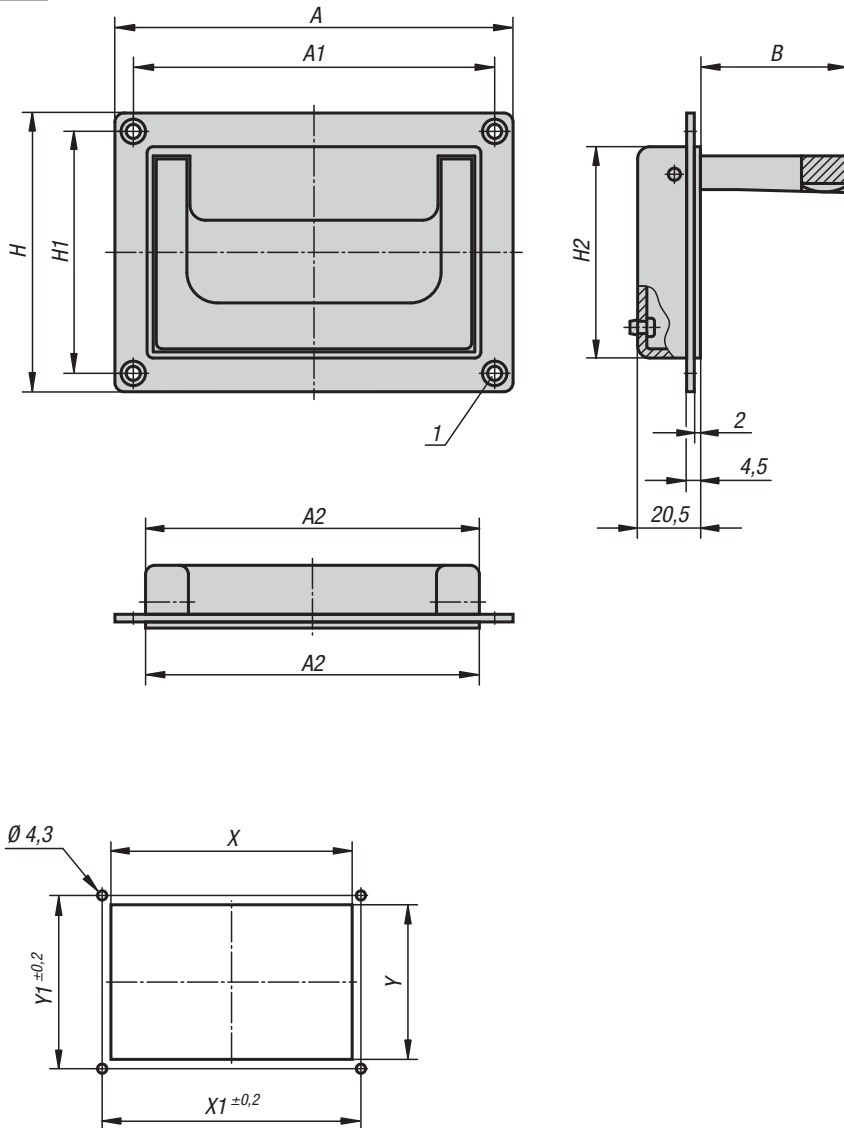
KIPP Recessed handles fold-down

Order No. black anodized	Order No. natural anodized	Form	L	Mounting cutout	Load capacity N
K0239.10011	K0239.10013	A	100	107 x 73	500
K0239.11811	K0239.11813	A	118	125 x 73	500
K0239.16711	K0239.16713	A	167	174 x 73	500
K0239.10021	K0239.10023	B	100	107 x 73	500
K0239.11821	K0239.11823	B	118	125 x 73	500
K0239.16721	K0239.16723	B	167	174 x 73	500

Recessed handles

fold-down

19"



Material:
Die-cast aluminium.

Version:
Form A
handle snap locks into working and resting positions.
Form B
handle swivels automatically back into resting position. Tray and handle black or light grey powder-coated, semi-matt.

Sample order:
K0240.05018411

Note:
With their modern design recessed fold-down handles can be used wherever solid and attractive handles are required.
Handles Form A snap into both resting and working positions.
Handles Form B swivel back into the resting position automatically after use.

Assembly:
The handles can be installed from the front or rear of the housing panel with the same housing cutout.

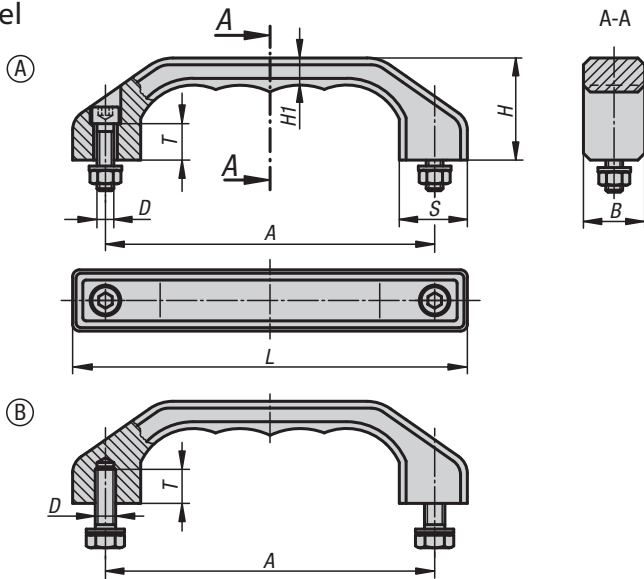
Drawing reference:
1) for countersunk screws M4

KIPP Recessed handles fold-down

Order No.	Form	Version	A	A1	A2	B	H	H1	H2	X	X1	Y	Y1	Load capacity N
K0240.07911811	A	black powder-coated	130	118	109	48	91	79	69	110	118	70,5	79	500
K0240.05018411	A	black powder-coated	200	184	170	51	80	50	72	171	184	73	50	500
K0240.07911812	A	light grey powder-coated	130	118	109	48	91	79	69	110	118	70,5	79	500
K0240.05018412	A	light grey powder-coated	200	184	170	51	80	50	72	171	184	73	50	500
K0240.07911821	B	black powder-coated	130	118	109	48	91	79	69	110	118	70,5	79	500
K0240.05018421	B	black powder-coated	200	184	170	51	80	50	72	171	184	73	50	500
K0240.07911822	B	light grey powder-coated	130	118	109	48	91	79	69	110	118	70,5	79	500
K0240.05018422	B	light grey powder-coated	200	184	170	51	80	50	72	171	184	73	50	500

Pull handles

stainless steel



Material:

Investment cast stainless steel 1.4308.
Fasteners made of 1.4301.

Version:

Abrasive cleaned and matt gloss electropolished.

Sample order:

K0198.140081

Assembly:

Form A from the front.
Form B from the rear.

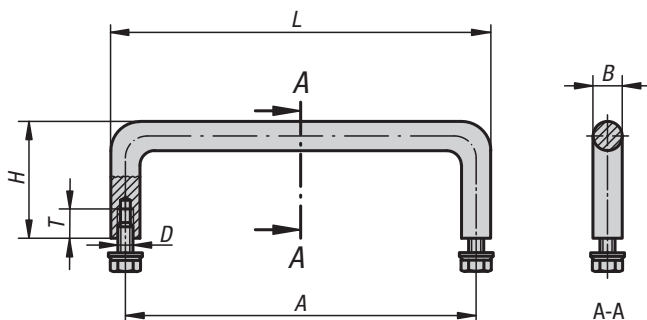
KIPP Pull handles stainless steel

Order No.	Form	A	B	D	H	H1	L	S	T	Load capacity N
K0198.140081	A	140	25	M8x30	45	12	170	28	15	1000
K0198.180101	A	180	32	M10x40	58	15	218	36	18	1000
K0198.140082	B	140	25	M8x18	45	12	170	28	15	1000
K0198.180102	B	180	32	M10x20	58	15	218	36	18	1000

K0206

Pull handles

stainless steel



Material:

Pull handle stainless steel 1.4404.
Fastening material A4 grade.

Version:

Semi-gloss vibratory ground.

Sample order:

K0206.120

Note:

Stainless steel pull handles are used mainly on equipment in the medical and food industry as well as in laboratories and nuclear technology.

Assembly:

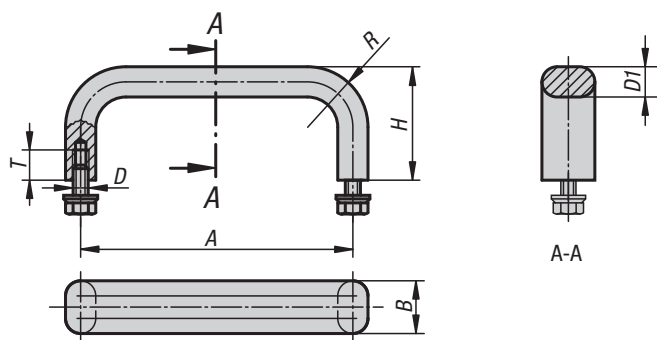
From the rear.

KIPP Pull handles stainless steel

Order No.	Surface	A	B	D	H	L	T	Load capacity N
K0206.100	semi-gloss vibratory ground	100	8	M5x10	35	108	10	1000
K0206.120	semi-gloss vibratory ground	120	10	M5x10	40	130	10	1000
K0206.250	semi-gloss vibratory ground	250	10	M5x10	40	260	10	1000
K0206.350	semi-gloss vibratory ground	350	10	M5x10	40	360	10	1000

Pull handles

stainless steel



Material:
Handle stainless steel 1.4305,
Fastening material 1.4301

Version:
Semi-gloss tumbled.

Sample order:
K0208.10005

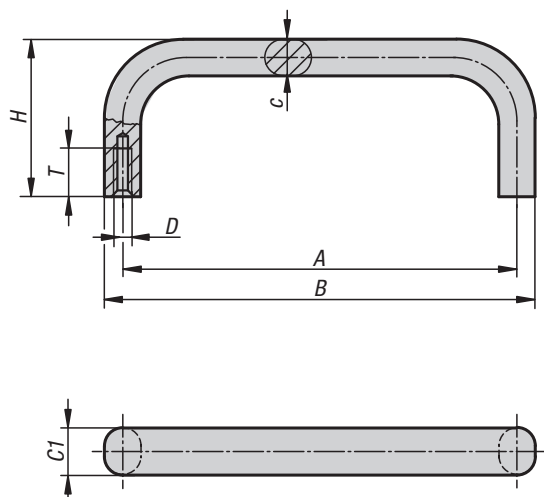
Assembly:
From the rear.

KIPP Pull handles stainless steel

Order No.	A	B	D	D1	H	R	T	Load capacity N
K0208.10005	100	12	M5x10	8	40	22	10	1000
K0208.12005	120	12	M5x10	8	40	22	10	1000
K0208.15005	150	12	M5x10	8	40	22	10	1000
K0208.18005	180	12	M5x10	8	40	22	10	1000
K0208.25005	250	12	M5x10	8	40	22	10	1000
K0208.10006	100	19,5	M6x12	10	45	24	12	1000
K0208.12006	120	19,5	M6x12	10	45	24	12	1000
K0208.15006	150	19,5	M6x12	10	45	24	12	1000
K0208.18006	180	19,5	M6x12	10	45	24	12	1000
K0208.25006	250	19,5	M6x12	10	45	24	12	1000

Pull handles

stainless steel



Material:
Stainless steel 1.4301.

Version:
Semi-gloss tumbled.

Sample order:
K1086.1001005

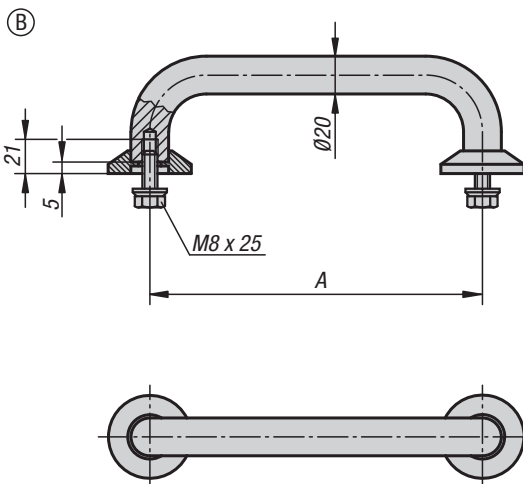
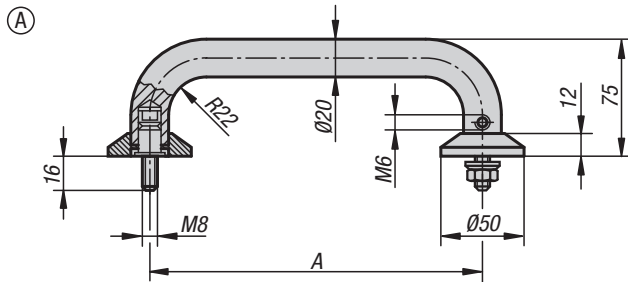
Assembly:
From the rear.

KIPP Pull handles stainless steel

Order No.	A	B	C	C1	D	H	T	Load capacity N
K1086.1000805	100	108	8	12	M5	39	10	1000
K1086.1200805	120	128	8	12	M5	39	10	1000
K1086.1001005	100	110	10	15	M5	39	10	1000
K1086.1501005	150	160	10	15	M5	39	10	1000
K1086.1801005	180	190	10	15	M5	39	10	1000

Pull handles

stainless steel



Material:

Handle stainless steel 1.4305
Fasteners made of 1.4301

Version:

Ground and satin brushed finish.

Sample order:

K0215.2001

Note:

These stainless steel pull handles are ideal for all technical applications where highest load and high chemical or corrosive resistance is required.

Drawing reference:

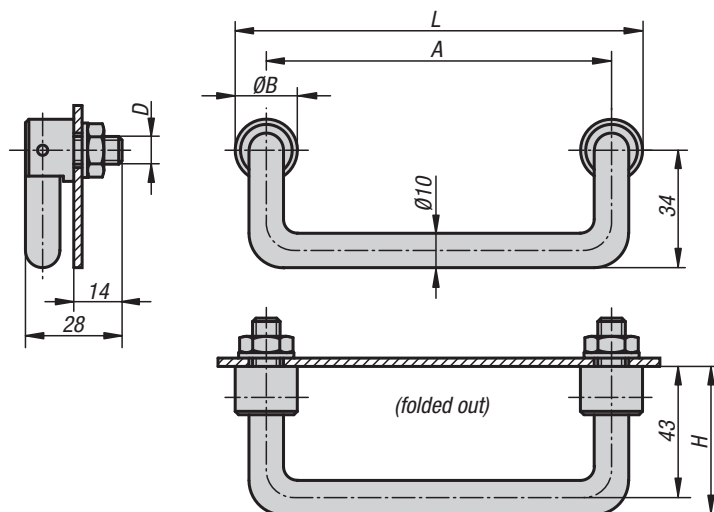
- Form A
fastening from the front.
- Form B
fastening from the rear.

KIPP Pull handles stainless steel

Order No.	Form	A	Load capacity N
K0215.2001	A	200	1000
K0215.2501	A	250	1000
K0215.2002	B	200	1000
K0215.2502	B	250	1000

Pull handles

fold-down



Material:

Steel or 1.4305 stainless steel

Version:

Steel version:

Surface finely ground and high-gloss chromed or with a smooth plastic cover on the grip.

Stainless steel version:

Surface semi-gloss score-free vibratory ground.

Sample order:

K0218.1201

Note:

Steel or stainless steel fastening material is provided. Spring lock in both end positions.

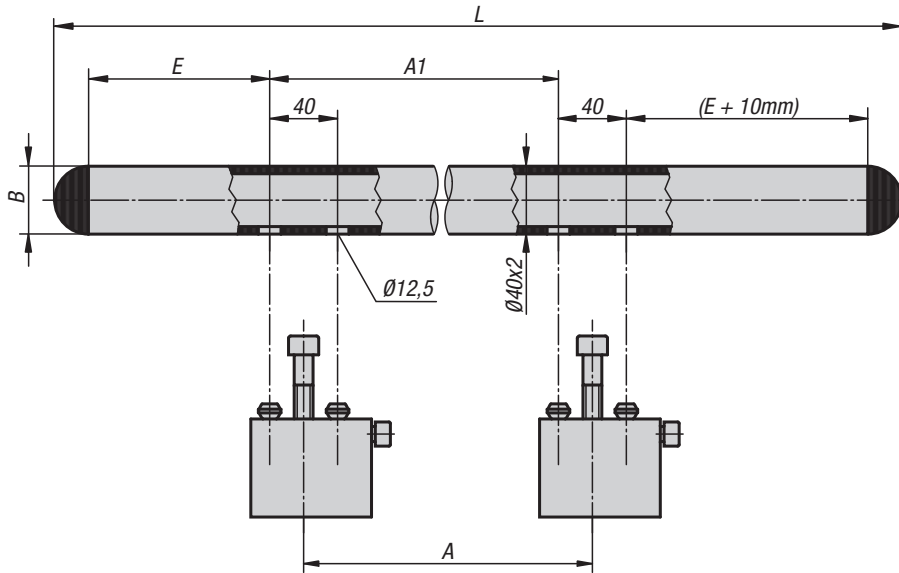
Assembly:

From the rear.

KIPP Pull handles fold-down

Order No. steel	Order No. steel with plastic cover	Order No. stainless steel	A	B	D	H	L	Load capacity N
K0218.1001	K0218.1002	K0218.1003	100	18	M10x1	48	118	500
K0218.1201	K0218.1202	K0218.1203	120	18	M10x1	48	138	500
K0218.1801	K0218.1802	K0218.1803	180	18	M10x1	48	198	500

Tubular handles



Material:

Grip stainless steel 1.4301.
 Legs die-cast aluminium.
 End caps glass-bead reinforced plastic.
 Screws and locking pins steel.

Version:

Grip finely ground.
 Legs black powder-coated.
 End cap black.
 Screws and pins galvanized and chromed.

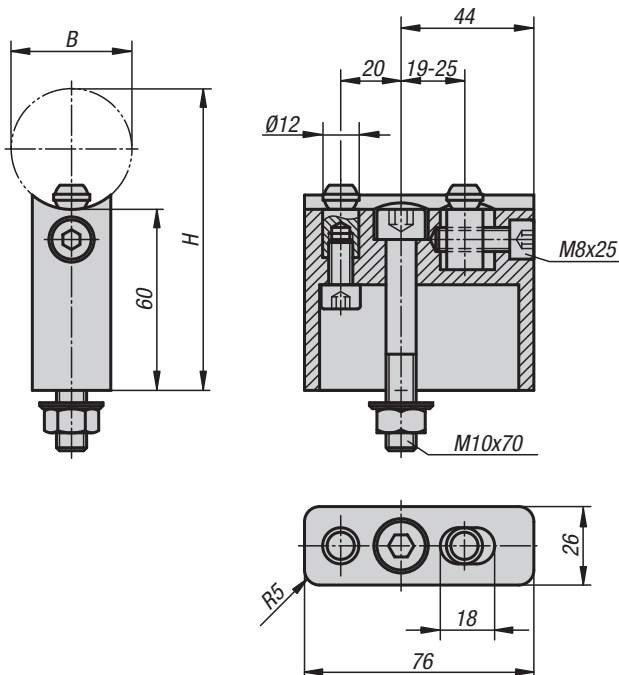
Sample order:

K0225.0600101

Note:

Heavy duty tubular pull handles for machine and plant construction. Easy mounting from the front. Adjustable leg spacing by the same grip length.

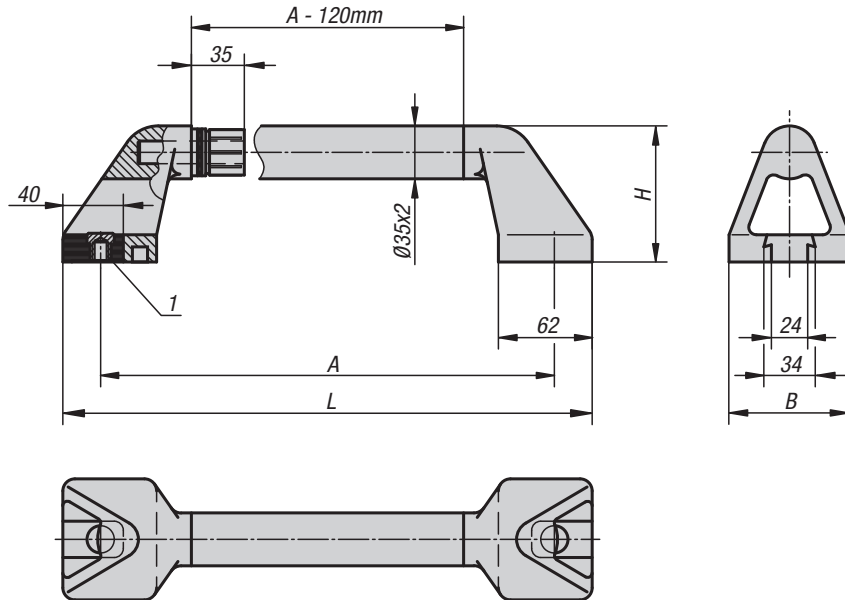
Leg locking diagram:



KIPP Tubular handles

Order No.	A	A1	B	E	H	L	Load capacity N
K0225.0600101	380	380	40	85	100	640	1000
K0225.0700101	480	480	40	85	100	740	1000
K0225.0800101	500	500	40	125	100	840	1000
K0225.0900101	600	600	40	125	100	940	1000
K0225.1000101	700	700	40	125	100	940	1000

Tubular handles



Material:

Legs glass-bead reinforced thermoplastic.
Grip stainless steel 1.4301.
Inserts stainless steel 1.4305.

Version:

Legs fine structured, black.
Grip fine ground.
Inserts fine turned.

Sample order:

K0226.300101

Note:

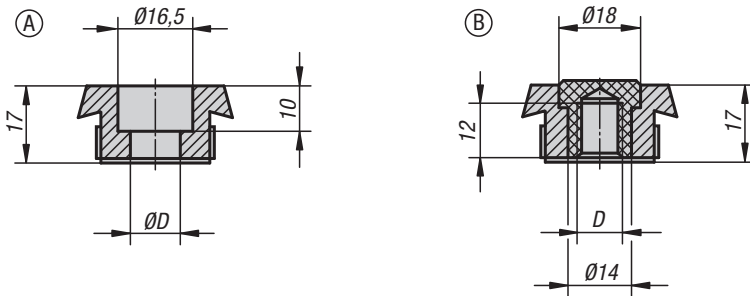
Locking webs allow a precision fit of the tube on the plastic leg boss.
Splash-proof with O-ring seals.
Different fastening inserts allow mounting from the front, rear or with each other.
Handles with through hole inserts (Form A) are supplied with stainless steel fasteners.
Handles with tapped inserts (Form B) are supplied without fasteners.

Drawing reference:

Form A: screw head insert

Form B: threaded insert

1) Screw head insert (A) or threaded insert (B).

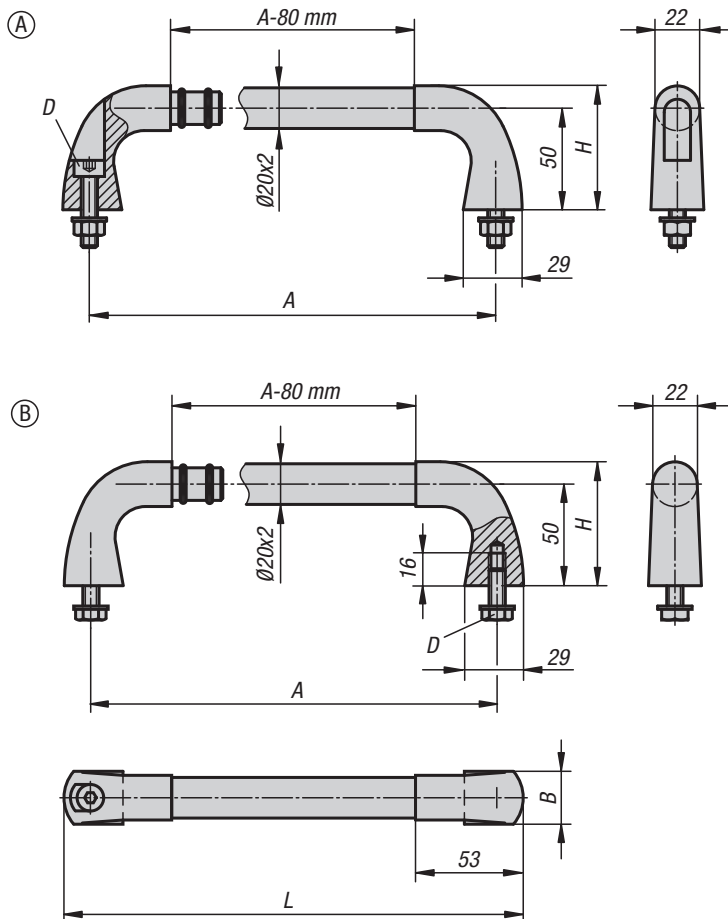


KIPP Tubular handles

Order No.	Form	A	B	D	H	L	Load capacity N
K0226.300101	A	300	80	11	90	350	1000
K0226.350101	A	350	80	11	90	400	1000
K0226.400101	A	400	80	11	90	450	1000
K0226.500101	A	500	80	11	90	550	1000
K0226.600101	A	600	80	11	90	650	1000
K0226.300102	B	300	80	M10	90	350	1000
K0226.350102	B	350	80	M10	90	400	1000
K0226.400102	B	400	80	M10	90	450	1000
K0226.500102	B	500	80	M10	90	550	1000
K0226.600102	B	600	80	M10	90	650	1000

Tubular handles

stainless steel



Material:

Grip and fasteners stainless steel 1.4301,
Legs investment cast 1.4581

Version:

Grip finely ground or with ribbed black plastic sleeve.
Legs abrasive cleaned and matt-gloss electropolished.

Sample order:

K0227.200081

Note:

Socket head screws with nuts and washers are supplied for handles Form A.
Hexagon head screws and suitable washers are supplied for handles Form B.

Assembly:

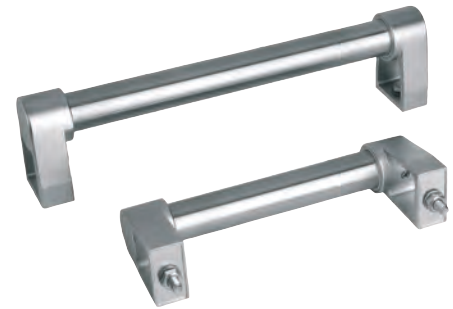
Form A from the front.
Form B from the rear.

KIPP Tubular handles stainless steel

Order No.	Form	Main colour	A	B	D	H	L	Load capacity N
K0227.200081	A	ground	200	26	M8x35	60	226	1000
K0227.300081	A	ground	300	26	M8x35	60	326	1000
K0227.400081	A	ground	400	26	M8x35	60	426	1000
K0227.200082	A	black plastic ribbed	200	26	M8x35	60	226	1000
K0227.300082	A	black plastic ribbed	300	26	M8x35	60	326	1000
K0227.400082	A	black plastic ribbed	400	26	M8x35	60	426	1000
K0227.200083	B	ground	200	26	M8x20	60	226	1000
K0227.300083	B	ground	300	26	M8x20	60	326	1000
K0227.400083	B	ground	400	26	M8x20	60	426	1000
K0227.200084	B	black plastic ribbed	200	26	M8x20	60	226	1000
K0227.300084	B	black plastic ribbed	300	26	M8x20	60	326	1000
K0227.400084	B	black plastic ribbed	400	26	M8x20	60	426	1000

Tubular handles

stainless steel



Material:

Grip stainless steel 1.4301.
 Legs precision cast G 4581.
 Fastening material stainless steel 1.4301.
 Clamping and sealing rings food-grade silicone rubber.
 Long term temperature resistance -60 °C to +200 °C.

Version:

Grip finely ground.
 Legs blasted and semi-gloss electropolished.

Sample order:

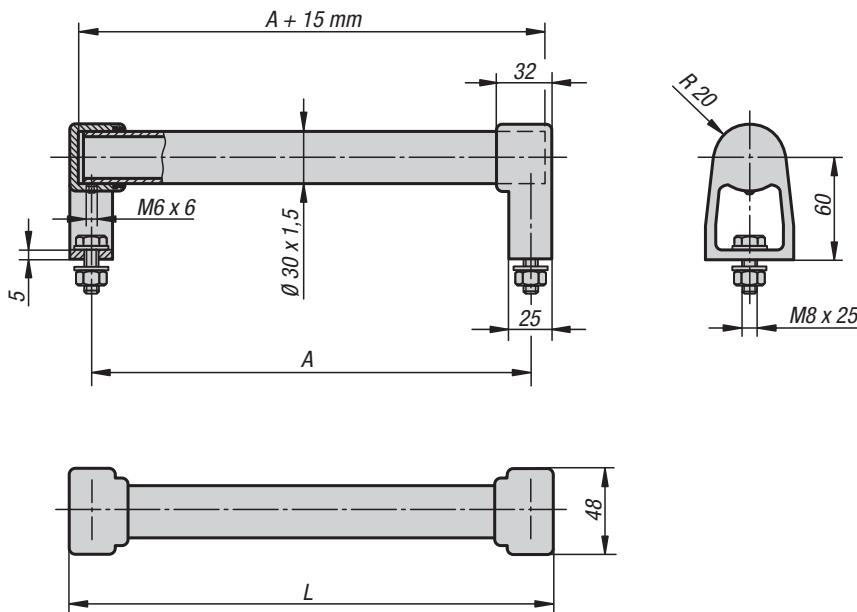
K0652.200301

Note:

General purpose self-assembly stainless steel tubular handles. Splashproof tube/leg connection. Additional tube clamping with socket head grub screws. For mounting from the front or rear. Easy to clean, especially suitable for the foodstuff industry.

Assembly:

From the front.

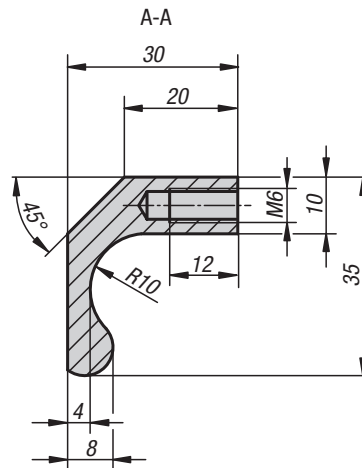
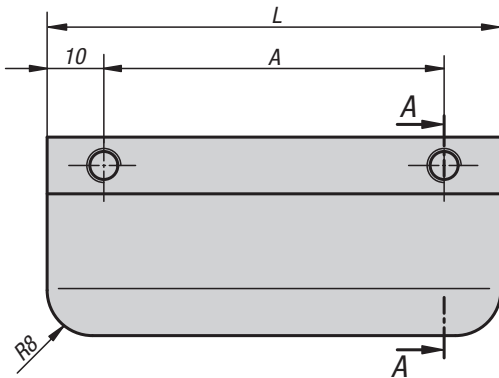
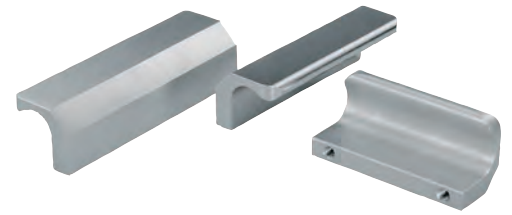


KIPP Tubular handles stainless steel

Order No.	A	L	Load capacity N
K0652.200301	200	225	1000
K0652.250301	250	275	1000
K0652.300301	300	325	1000
K0652.350301	350	375	1000
K0652.400301	400	425	1000
K0652.500301	500	525	1000

Ledge handles

stainless steel



Material:

Profile stainless steel 1.4404

Version:

Abrasive cleaned and matt-gloss electropolished.

Sample order:

K0233.06006

Assembly:

From the rear.

On request:

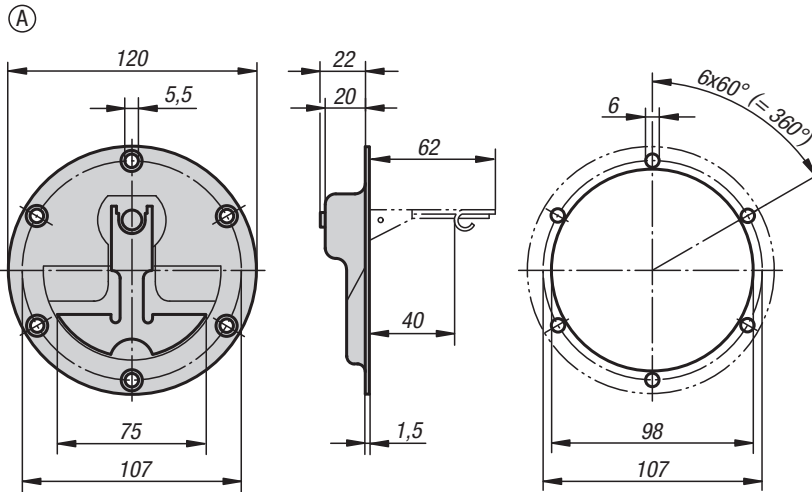
Any other lengths.

KIPP Ledge handles stainless steel

Order No.	A	L	Load capacity N
K0233.06006	60	80	1000
K0233.08006	80	100	1000
K0233.10006	100	120	1000
K0233.13006	130	150	1000

Recessed handles

fold-down stainless steel

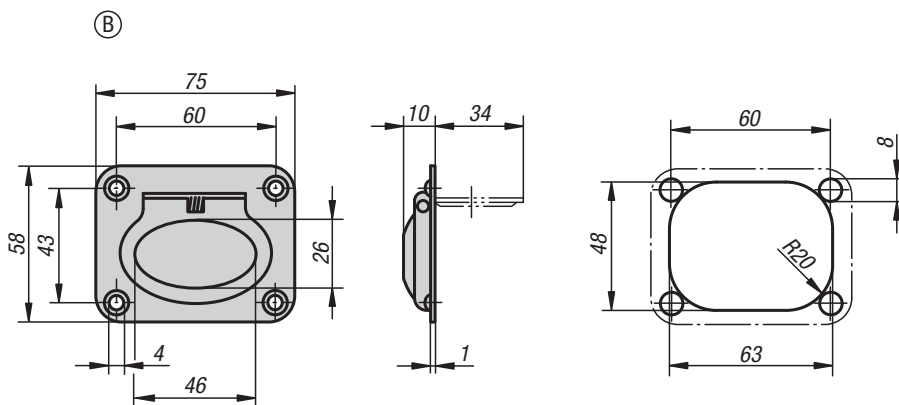


Material:
Stainless steel 1.4301.

Version:
High-gloss electropolished.

Sample order:
K0243.1120000

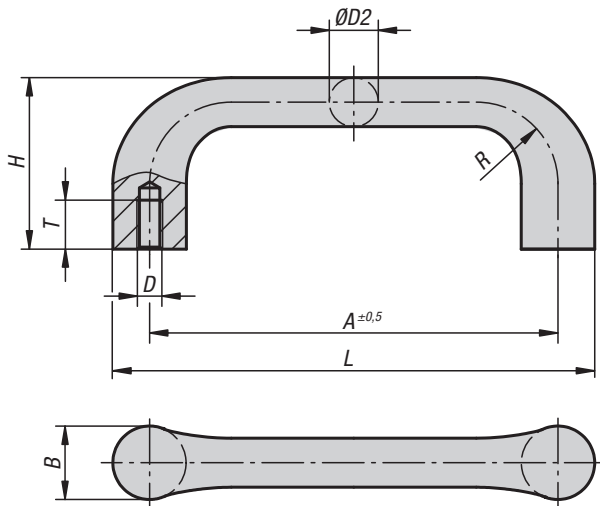
Note:
Stainless steel retractable grips with marginal installation depth. For base and mounting plates or drawers. With return spring. The grip automatically swivels back into its resting position after use.



KIPP Recessed handles fold-down stainless steel

Order No.	Form	Load capacity N
K0243.1120000	A	200
K0243.2075058	B	200

Pull handles



Material:
GJS 400

Version:
Vibratory ground.
Black plastic-coated.
Contact surfaces machined.

Sample order:
K0186.12510

Assembly:
From the rear.

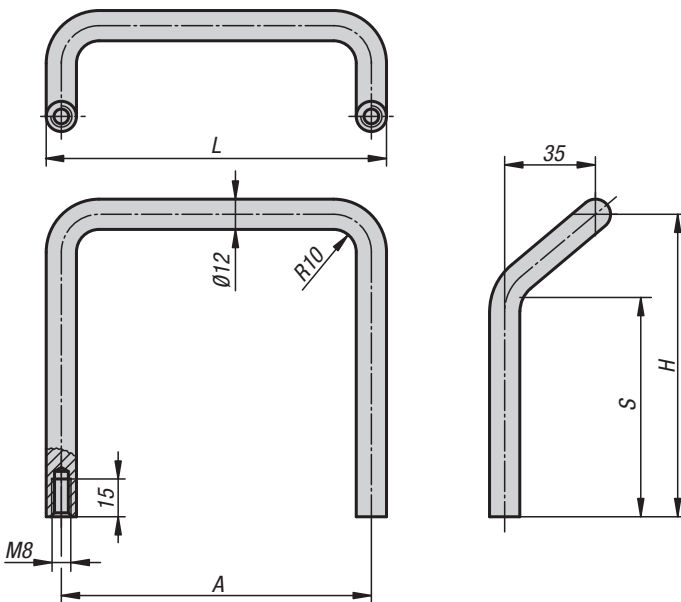
KIPP Pull handles

Order No. bright	Order No. black	A	B	D	D2	H	L	R	T	Load capacity N
K0186.10006	K0186.100061	100	18	M6	12	42	118	20	12	1000
K0186.11208	K0186.112081	112	20	M8	14	47	132	22	15	1000
K0186.12510	K0186.125101	125	22	M10	16	53	147	24	18	1000
K0186.14012	K0186.140121	140	25	M12	18	59	165	26	20	1000

K0207

Pull handles

angled



Material:
Round steel

Version:
Finely ground and high-gloss chrome-plated.

Sample order:
K0207.06008

Assembly:
From the rear.

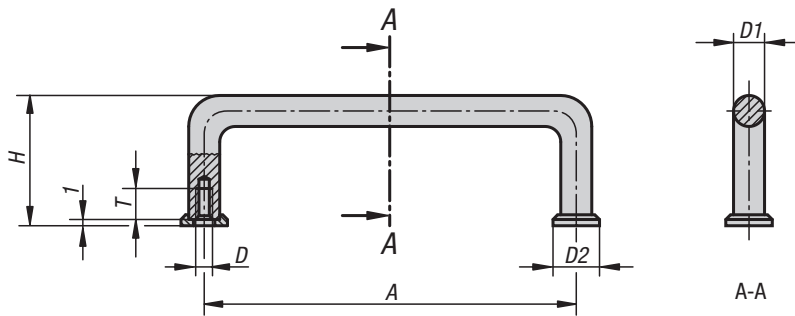
KIPP Pull handles angled

Order No.	A	H	L	S	Load capacity N
K0207.06008	120	60	132	27	1000
K0207.12008	120	120	132	87	1000

Pull handles

high-gloss chromed

19"



Material:
Steel.

Version:
Finely ground and high-gloss chromed

Sample order:
K0214.10204

Note:
These pull handles are used primarily on optical devices, laboratory installations, audio, video and hi-fi equipment, etc. The end washers are supplied loose.

Assembly:
From the rear.

On request:
Other surface finishes.

KIPP Pull handles high-gloss chromed

Order No.	A	D	D1	D2	H	T	Load capacity N
K0214.03203	32	M3	5	8	21	6	1000
K0214.04203	42	M3	5	8	25	6	1000
K0214.05503	55	M3	5	8	25	6	1000
K0214.07603	76	M3	5	8	25	6	1000
K0214.08803	88	M3	5	8	25	6	1000
K0214.03204	32	M4	8	12,5	33	8	1000
K0214.05504	55	M4	8	12,5	33	8	1000
K0214.06404	64	M4	8	12,5	33	8	1000
K0214.08804	88	M4	8	12,5	33	8	1000
K0214.09604	96	M4	8	12,5	33	8	1000
K0214.09804	98	M4	8	12,5	33	8	1000
K0214.10204	102	M4	8	12,5	33	8	1000
K0214.12004	120	M4	8	12,5	33	8	1000
K0214.12804	128	M4	8	12,5	33	8	1000
K0214.13604	136	M4	8	12,5	33	8	1000
K0214.05505	55	M5	10	15	41	10	1000
K0214.08805	88	M5	10	15	41	10	1000
K0214.10005	100	M5	10	15	41	10	1000
K0214.10205	102	M5	10	15	41	10	1000
K0214.11505	115	M5	10	15	41	10	1000
K0214.12005	120	M5	10	15	41	10	1000
K0214.13605	136	M5	10	15	41	10	1000
K0214.18005	180	M5	10	15	41	10	1000
K0214.20005	200	M5	10	15	41	10	1000
K0214.23505	235	M5	10	15	41	10	1000
K0214.25005	250	M5	10	15	41	10	1000

Pull handles



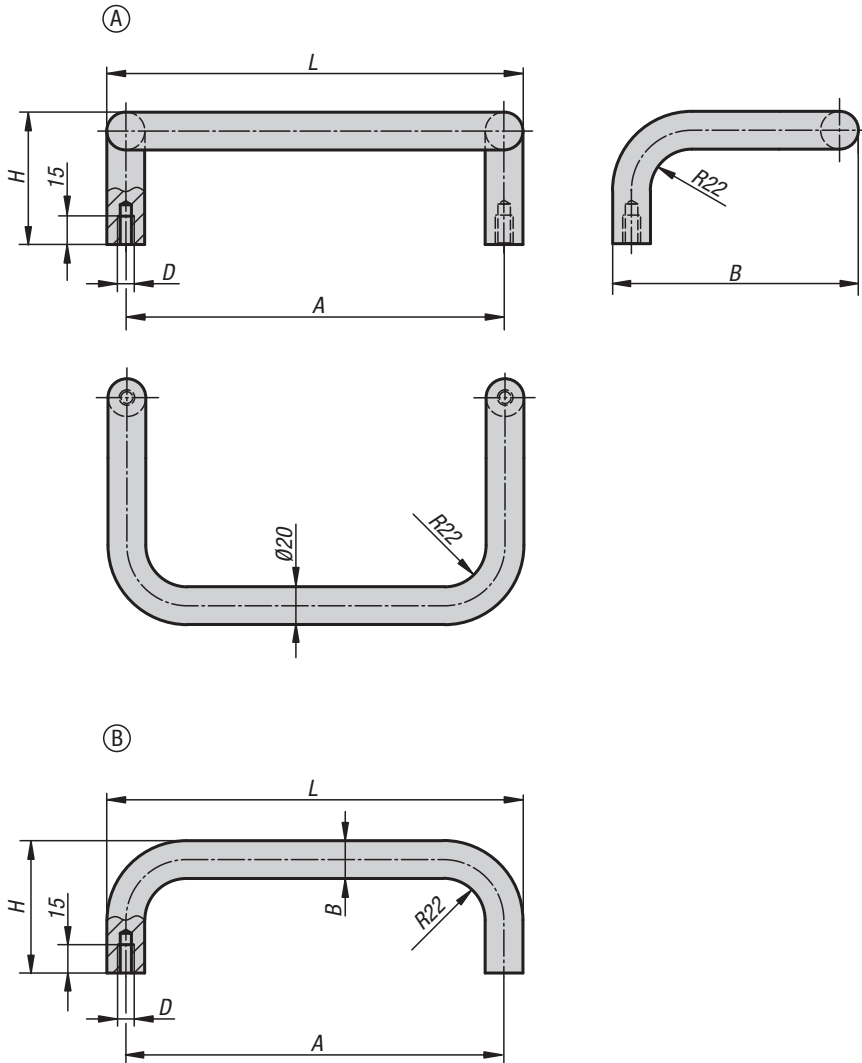
Material:
Round steel

Version:
Ground, brushed and matt-chromed or black powder-coated with fine texture

Sample order:
K0230.20081

Note:
Available as straight or right-angled handle.

Assembly:
From the rear.



KIPP Pull handles

Order No.	Form	Main colour	A	B	D	H	L	Load capacity N
K0230.20081	A	matt chromed	200	130	M8	70	220	1000
K0230.35081	A	matt chromed	350	130	M8	70	370	1000
K0230.20082	A	black powder-coated	200	130	M8	70	220	1000
K0230.35082	A	black powder-coated	350	130	M8	70	370	1000
K0230.20083	B	matt chromed	200	20	M8	70	220	1000
K0230.25083	B	matt chromed	250	20	M8	70	270	1000
K0230.30083	B	matt chromed	300	20	M8	70	320	1000
K0230.35083	B	matt chromed	350	20	M8	70	370	1000
K0230.20084	B	black powder-coated	200	20	M8	70	220	1000
K0230.25084	B	black powder-coated	250	20	M8	70	270	1000
K0230.30084	B	black powder-coated	300	20	M8	70	320	1000
K0230.35084	B	black powder-coated	350	20	M8	70	370	1000

Tubular handles carbon



Material:

Grip legs stainless steel 1.4308.
Tubular grip carbon fibre reinforced plastic (CFP).

Version:

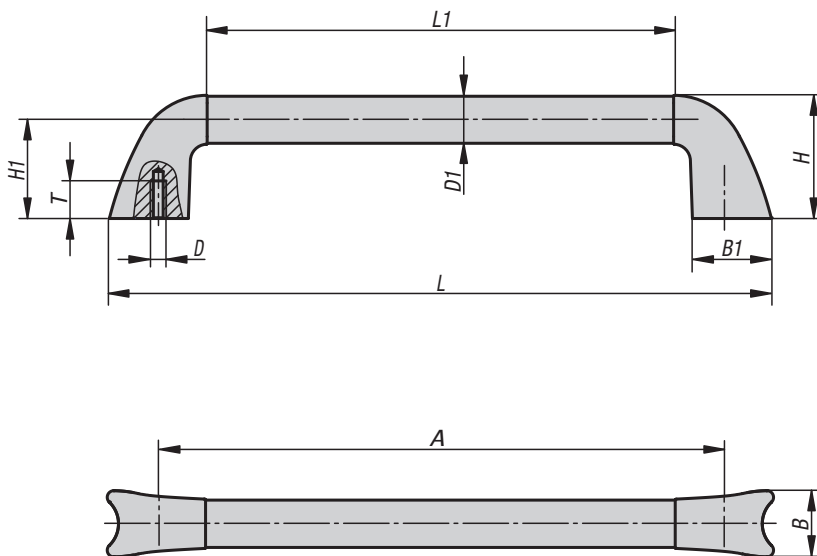
Grip legs polished.
Tubular grip CFP composition, clear varnished.

Sample order:

K0781.250251

Note:

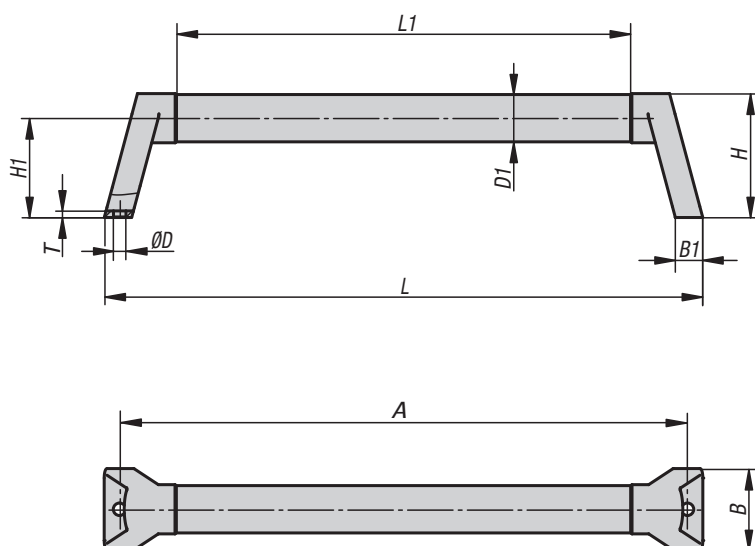
The grip is fastened using stainless steel DIN EN ISO 4762 socket head screws.



KIPP Tubular handles carbon

Order No.	A	B	B1	D	D1	H	H1	L	L1	T	Load capacity N
K0781.250251	250	34,8	41,6	M6	25	64	51	301	198	20	1000
K0781.300251	300	34,8	41,6	M6	25	64	51	351	248	20	1000
K0781.350251	350	34,8	41,6	M6	25	64	51	401	298	20	1000
K0781.350351	350	47,7	55	M6	35	84	66	424	286	20	1000
K0781.400351	400	47,7	55	M6	35	84	66	474	336	20	1000
K0781.450351	450	47,7	55	M6	35	84	66	524	386	20	1000

Tubular handles carbon



Material:

Grip legs stainless steel 1.4308.
Tubular grip carbon fibre reinforced plastic (CFP).

Version:

Grip legs polished.
Tubular grip CFP composition, clear varnished.

Sample order:

K0782.250251

Note:

The grip is fastened using stainless steel DIN EN ISO 4017 hexagon head screws.

KIPP Tubular handles carbon

Order No.	A	B	B1	D	D1	H	H1	L	L1	T	Load capacity N
K0782.250251	250	43	14,5	6,6	25	65,5	52,5	266	190	3,5	1000
K0782.300251	300	43	14,5	6,6	25	65,5	52,5	316	240	3,5	1000
K0782.350251	350	43	14,5	6,6	25	65,5	52,5	366	290	3,5	1000
K0782.350351	350	57,7	18,6	6,6	35	85,5	67,5	371	270	4,5	1000
K0782.400351	400	57,7	18,6	6,6	35	85,5	67,5	421	320	4,5	1000
K0782.450351	450	57,7	18,6	6,6	35	85,5	67,5	471	370	4,5	1000