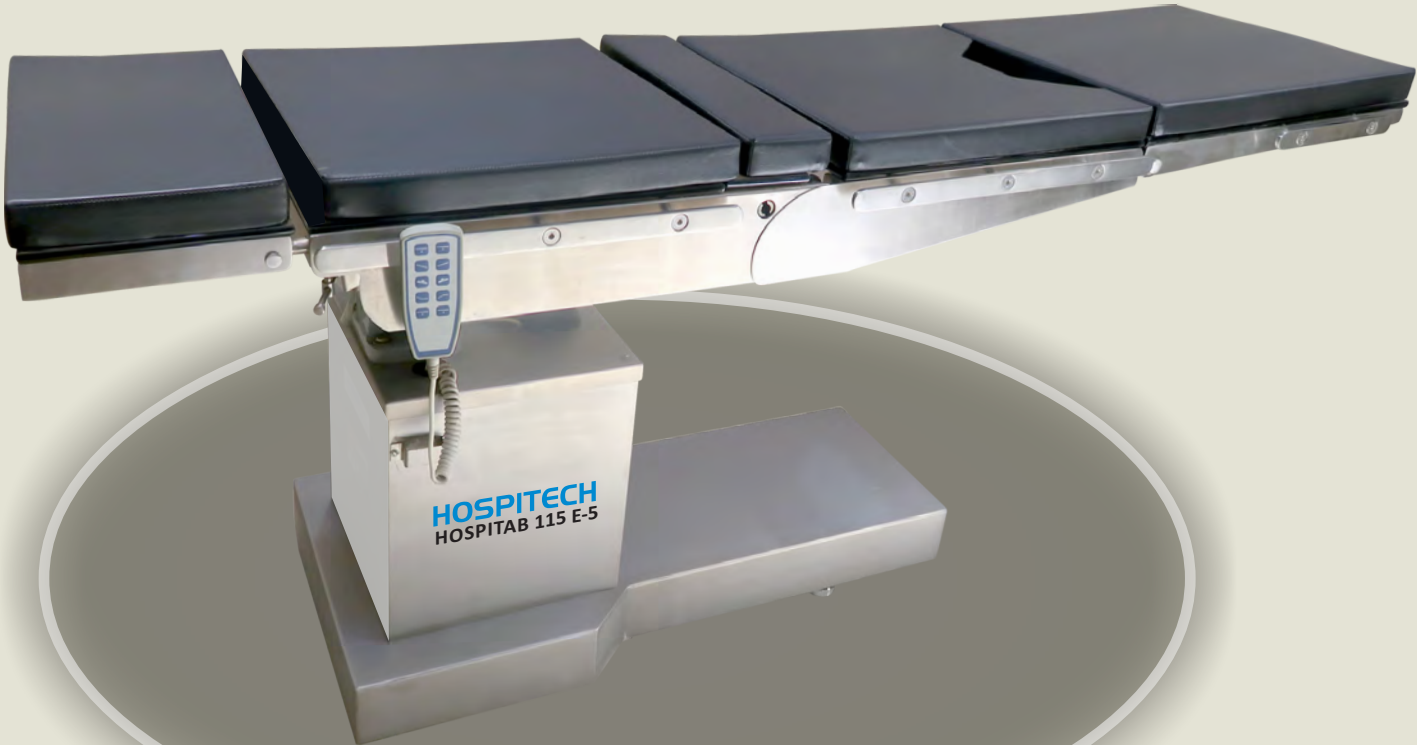




HOSPITECH
Technology For Life

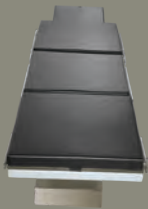
AUTOMATIC OPERATION TABLE



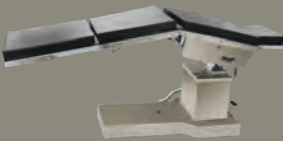
HOSPITECH INDUSTRIES
AN ISO 9001 : 2015 Certified Company



Height Up / Down



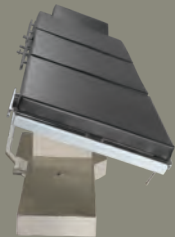
Trendelenburg /
Reverse Trend



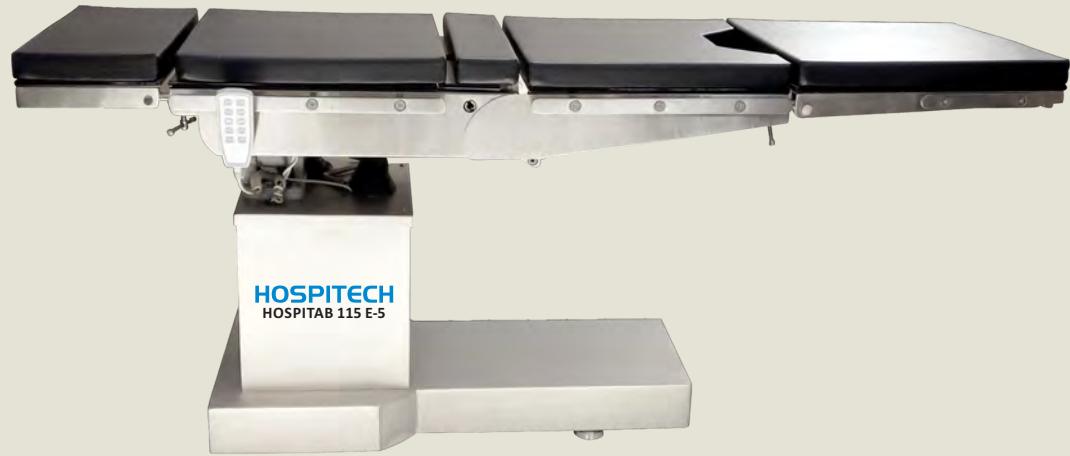
Flex / Reflex



Chair Position



Lateral Tilt



Salient Features

- ◆ Mains operated electrical system.
- ◆ In-built rechargeable battery
- ◆ Eccentrically Positioned table top for maximum access for movement of C-Arm image intensifier.
- ◆ X-ray Translucent five sectional top.
- ◆ Built in Kidney Bridge adjustable by crank mechanism.
- ◆ Noiseless and smooth operation.
- ◆ Mobile base with floor locking facility.
- ◆ Sturdy T-type base for easy operation.
- ◆ Base and column covered with stainless steel to prevent dirt and fluids from getting into base and easy to be cleaned.
- ◆ Frame and Side rails are made of S.S
- ◆ Completely RUST proof design.
- ◆ Finger touch hand set controlled position:-
 - (I) Height Up / Down.
 - (II) Trendelenburg / Reverse Trendelenburg.
 - (III) Lateral tilt both sides.
 - (IV) Flex / Reflex / Chair
 - (V) Floor Locking .
- ◆ Head and Leg sections are detachable & adjustable manually.
- ◆ Adaptable to Ortho, Uro, Neuro attachments and with other special accessories.

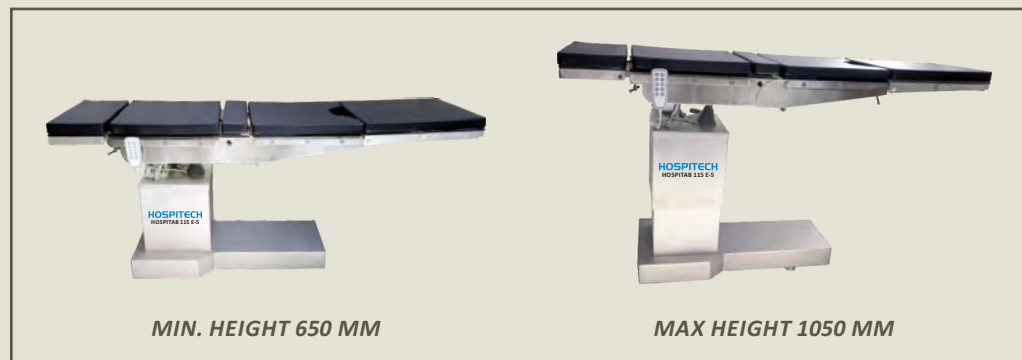
Standard Accessories

- ◆ 50 mm Water Proof Rubber Mattress.
- ◆ Pair of S.S Arm Board with Mattress.
- ◆ Pair of Shoulder Support.
- ◆ Pair of Lateral Support.
- ◆ Anaesthetic Screen Frame.
- ◆ Pair of Geopal type Knee Rest.

Technical Data

| | |
|-----------------------------|--------------|
| Overall length of Table Top | 2000 mm ± 5% |
| Overall width of Table top | 520mm. ± 5% |
| Min. Height | 800 mm. |
| Max. Height | 1050 mm. |
| Trendelenburg | 20° |
| Reverse Trendelenburg | 25° |
| Lateral Tilt | 25° |
| Chair | 88° |
| Flex / Reflex | 30° / 220° |

HOSPITAB 115 E-5 ADVANCE



MIN. HEIGHT 650 MM

MAX HEIGHT 1050 MM

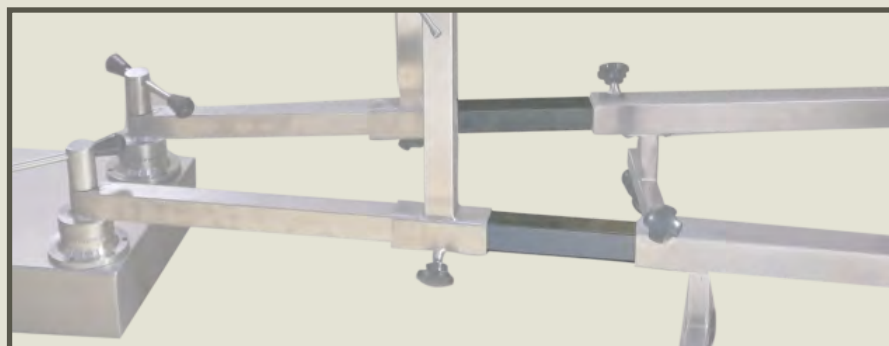
HOSPITECH

Technology For Life

HOSPITAB 115 E-5 WITH ORTHOPAEDIC ATTACHMENT (S.S)



TELESCOPIC ATTACHMENT



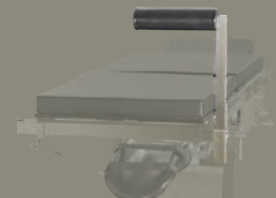
Arm Support Carter Braine with Pad (Adjustable) for lateral positioning.



Inner thigh support for lateral position



X-ray translucent, C-Arm Compatible. Hand operating table with mattress and telescopic support.



L-shaped Knee Rest

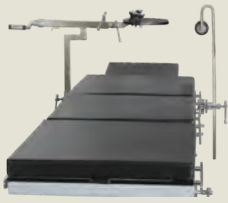


Lateral Cassette Holder



Steinmann Pin Clamp

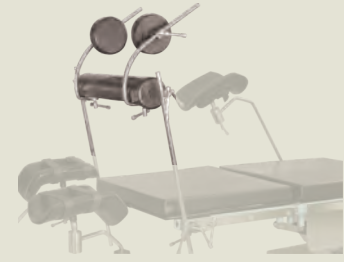
OPTIONAL ORTHOPAEDICS ACCESSORIES



Hand Traction device
(Complete with X-ray translucent finger plate)



Spinal Frame



Counter Traction post for
Tibia and Fibula

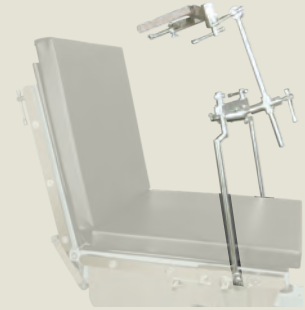
OPTIONAL NEURO - SURGERY ACCESSORIES



Mayfield three Pin Head Fixator for
Neuro Surgery in Supine Position
(wholly made of S.S.)



Horse shoe shaped Neuro Surgery Head
rest full adjustable for prone & supine position
(wholly made of stainless steel)



Mayfield three Pin Head
Fixator for Neuro Surgery
in Sitting Position

OPTIONAL UROLOGY / GENERAL SURGERY ACCESSORIES



DRAINAGE TRAY



PCNL ATTACHMENT

INTERNATIONAL QUALITY & SAFETY STANDARD
'CE' MARKED - ISO 9001 : 2015 & ISO 13485 : 2012 CERTIFIED



HOSPITECH INDUSTRIES

AN ISO 9001 : 2015 Certified Company

Works : 85, Sector-26, Industrial Area, Bhiwani-127021 Ph. : 01664-309660, 246326, Cell : 9812136505

e-mail : hospitechbhiwani@gmail.com

Display, Sales, Service : Delhi : C-101, Main Road Mayapuri, Phase-II, New Delhi-110064 Tel : 011-28117281, 28114282, 28115283,

Cell : **98100-84104**, 98106-97376 e-mail : hospitechindia@rediffmail.com, hospitechindia1@gmail.com

Bangalore : No-30, 17 th Cross, Vijaynagar Main Road, Bangalore-560040 Tel : 080-23141326/327 Cell : 98440-41853

e-mail : hospitech95@gmail.com

Mumbai : Shop No. 4, Vrindavan Society, Carter Road No. 3, Near Maa Meldi Temple, Borivali East, Mumbai, Cell : 9821376202,

e-mail : hospitech92@gmail.com

www.hospitechindustries.com