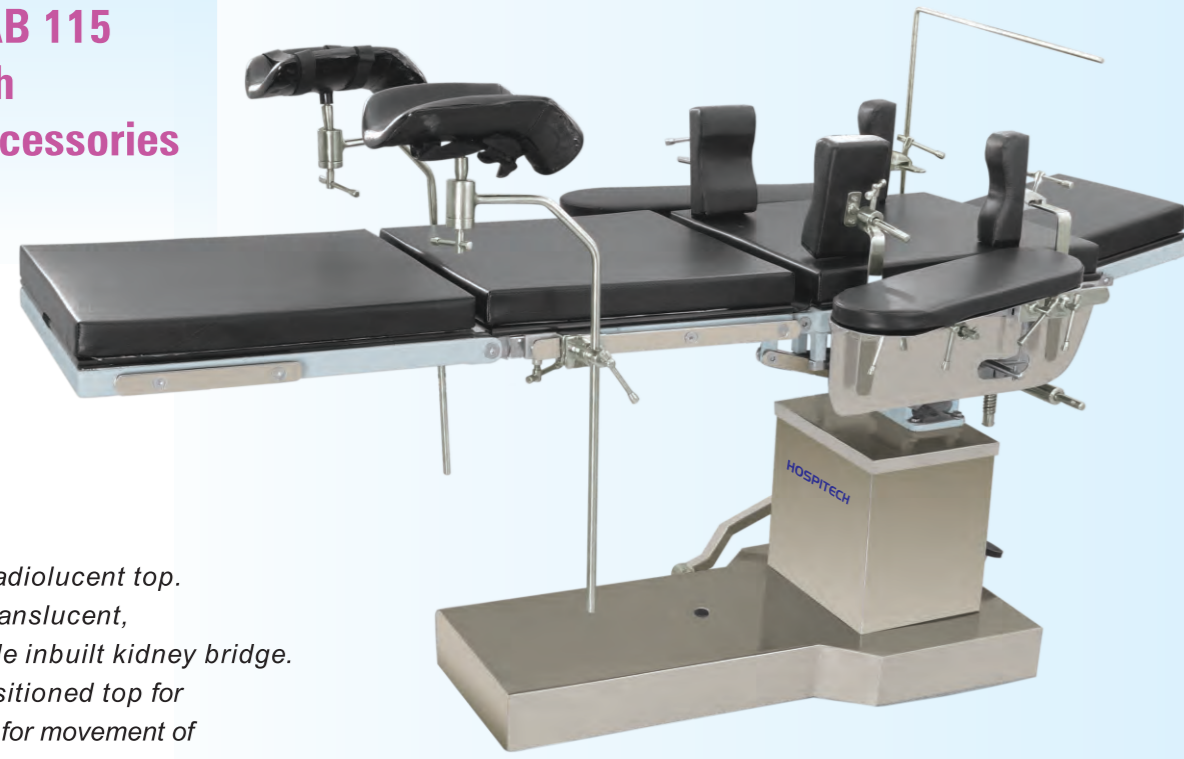


HOSPITAB 115
with
Standard Accessories

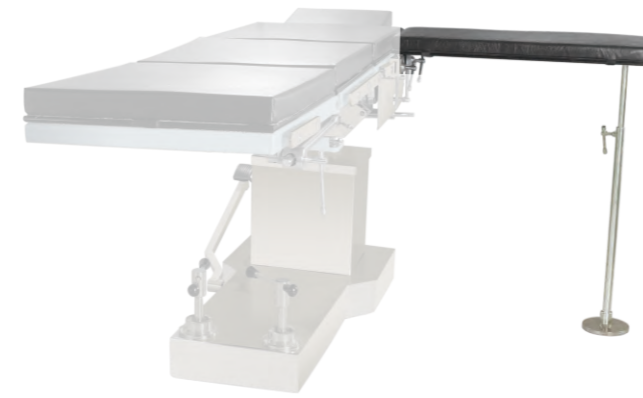


- ◆ Four Sections Radiolucent top.
- ◆ Optional X-ray translucent, C-Arm compatible inbuilt kidney bridge.
- ◆ Eccentrically positioned top for maximum access for movement of C-Arm image intensifier.
- ◆ Heavy & sturdy 'T' shaped base allowing maximum foot room for operating team
- ◆ Mobile on smooth running castors & Floor locking system for stability
- ◆ Heavy & Hygienic stainless steel clad base and lifting column
- ◆ All the fittings, side rails and accessories made of RUST FREE stainless steel
- ◆ Accessories clamps made of rust free light weight aluminium.
- ◆ Complete Rust Proof Design

STANDARD POSITIONING

- ◆ Hydraulic UP / DOWN
- ◆ Precise and efficient crank mechanism to obtain trendelenberg / reverse trendelenberg,
 - Lateral tilt both sides
 - Flex & Reflex
 - Chair
- ◆ Detachable, adjustable and interchangeable head & leg sections

HOSPITECH
Technology For Life

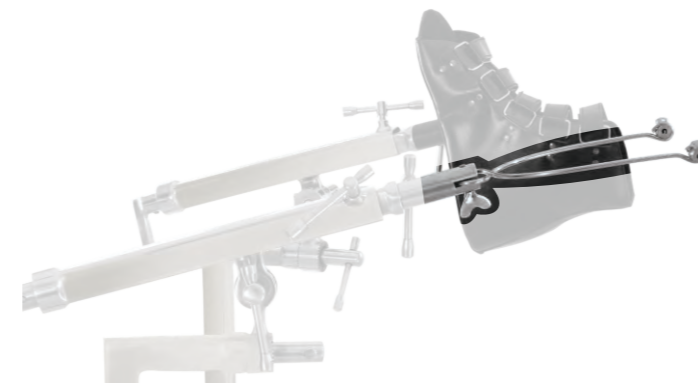
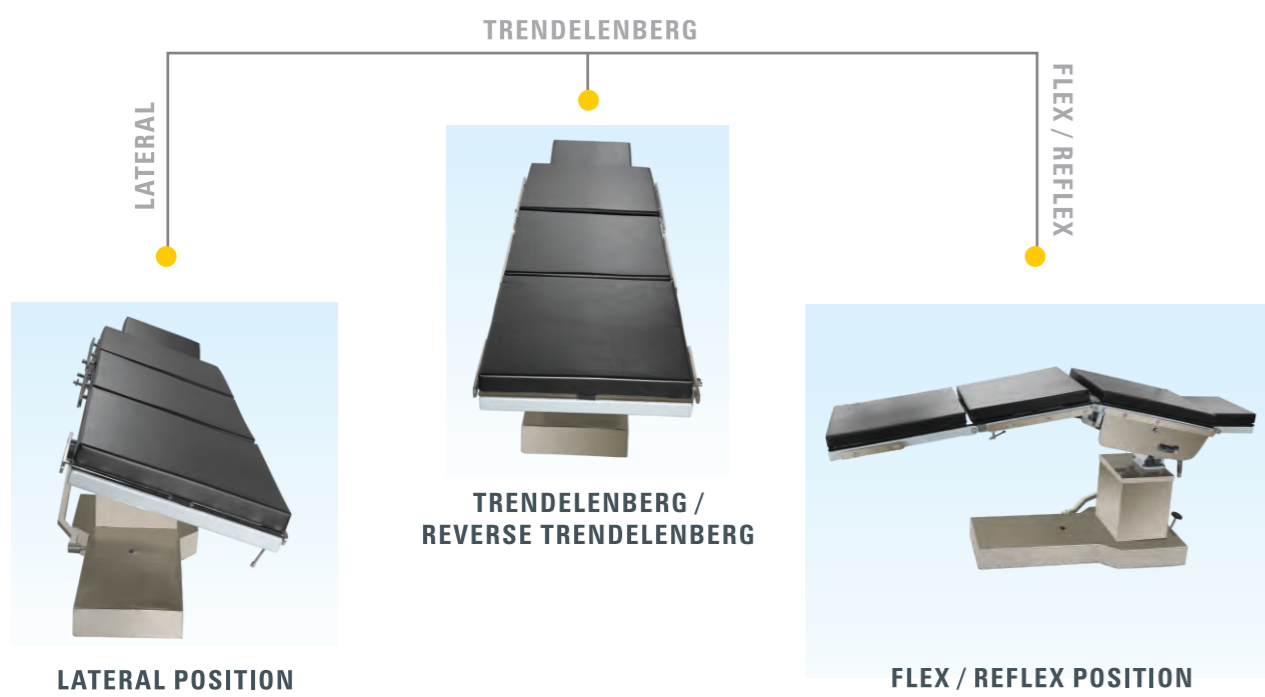


X-Ray Translucent, C-Arm Compatible. Hand Operating Table with Mattress And Telescopic Support.

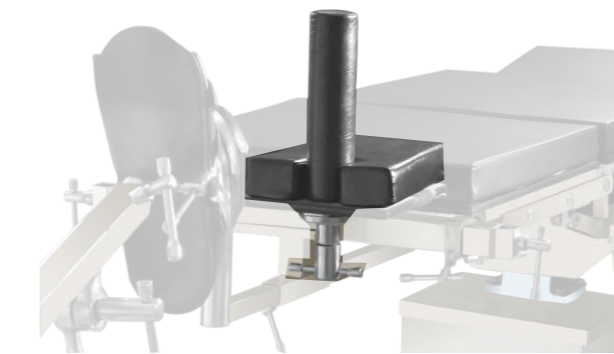
HOSPITAB 115



HOSPITAB 115 | C-Arm compatible operating table for Orthopaedic with Leg Traction unit attached to the base



Steinmann Pin Clamp



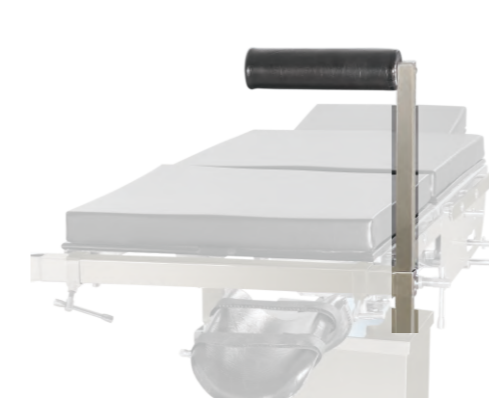
Pelvic Rest (adjustable) positioned at extremen left



Pelvic Rest (adjustable) positioned at extreme Right



Lateral Cassette Holder



Knee rest



Inner thigh support for lateral position



Arm Support Carter Braine with pad (Adjustable) for lateral positioning.

OPTIONAL ORTHOPAEDICS ACCESSORIES



Hand Traction Device
(Complete with X-ray Translucent Finger Plate)



Spinal Frame



Counter Traction post for
Tibia and Fibula



C-Arm Compatible Operating Table
for Orthopaedics with leg traction
unit attached to the top

OPTIONAL NEURO - SURGERY ACCESSORIES



Mayfield three Pin Head Fixator for
Neuro Surgery in Supine Position
(wholly made of S.S.)

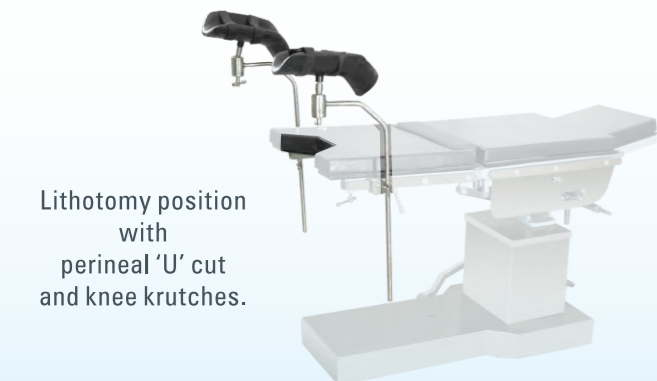


Horse shoe shaped Neuro Surgery Head
rest full adjustable for prone & supine position
(wholly made of stainless steel)

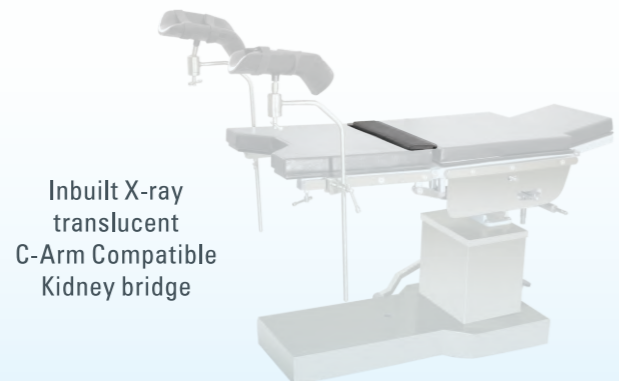


Mayfield three Pin Head
Fixator for Neuro Surgery
in Sitting Position

OPTIONAL UROLOGY / GENERAL SURGERY ACCESSORIES



Lithotomy position
with
perineal 'U' cut
and knee crutches.



Inbuilt X-ray
translucent
C-Arm Compatible
Kidney bridge

HOSPITAB 115

C-ARM COMPATIBLE OPERATING TABLE

Standard Accessories

- ◆ 50 mm water proof Rubber mattress.
- ◆ Pair of S.S. arm board with mattress.
- ◆ Pair of shoulder support.
- ◆ Pair of lateral support.
- ◆ Anaesthetic Screen frame.
- ◆ Pair of Geopal type knee rest.



Technical Data

Overall length of Table top	1950 mm.
Overall width of Table top	500 mm.
Min. Height	770 mm.
Max. Height	1020 mm.
Trendelenberg	25°
Reverse Trendelenberg	25°
Lateral Tilt	25°
Chair	85°
Flex / Reflex	30° / 220°

Optional Accessories

ORTHOPAEDICS



1. Orthopaedic Attachment

Wholly made of stainless steel consists
of following :

- ◆ Orthopaedic leg traction device.
- ◆ Broad Hand Surgery Table & telescopic support and mattress.
- ◆ L-shaped knee rest.
- ◆ Inner thigh support for lateral positioning.
- ◆ Raised arm board for lateral positioning.
- ◆ Steinmann pin clamp.

2. Counter Traction post for tibia.
3. Hand Traction Device.
4. Spine Frame

NEURO SURGERY

- ◆ Horse Shoe Shaped Neuro Surgery Head Rest.
- ◆ Mayfield three pin Head Fixator for Neuro Surgery in Supine and Sitting Position.



UROLOGY / GENERAL SURGERY

- ◆ Inbuilt kidney bridge X-ray translucent & C-Arm Compatible.
- ◆ PNCL attachment (Extra long leg section X-ray translucent with telescopic support).
- ◆ TUR Drainage Tray.



International Quality & Safety Standard

'CE' Marked ISO 9001 : 2015 & ISO 13485 : 2012 Certified



HOSPITECH INDUSTRIES

AN ISO 9001 : 2015 Certified Company

Works : 85, Sector-26, Industrial Area, Bhiwani-127021 Ph. : 01664-309660, 246326 , Cell : 9812136505

e-mail : hospitechbhiwani@gmail.com

Display, Sales, Service

Delhi : C-101, Main Road Mayapuri, Phase-II, New Delhi-110064 Tel : 011-28117281, 28114282, 28115283

Cell : 98100-84104, 98106-97376 e-mail : hospitechindia@rediffmail.com, hospitechindia1@gmail.com

Bangalore : No-30, 17 th Cross, Vijaynagar Main Road, Bangalore-560040 Tel : 080-23141326/327 Cell : 98440-41853

e-mail : hospitech95@gmail.com

Mumbai : Shop No. 4, Vrindavan Society, Carter Road No. 3, Near Maa Meldi Temple, Borivali East, Mumbai, Cell : 9821376202

e-mail : hospitech92@gmail.com

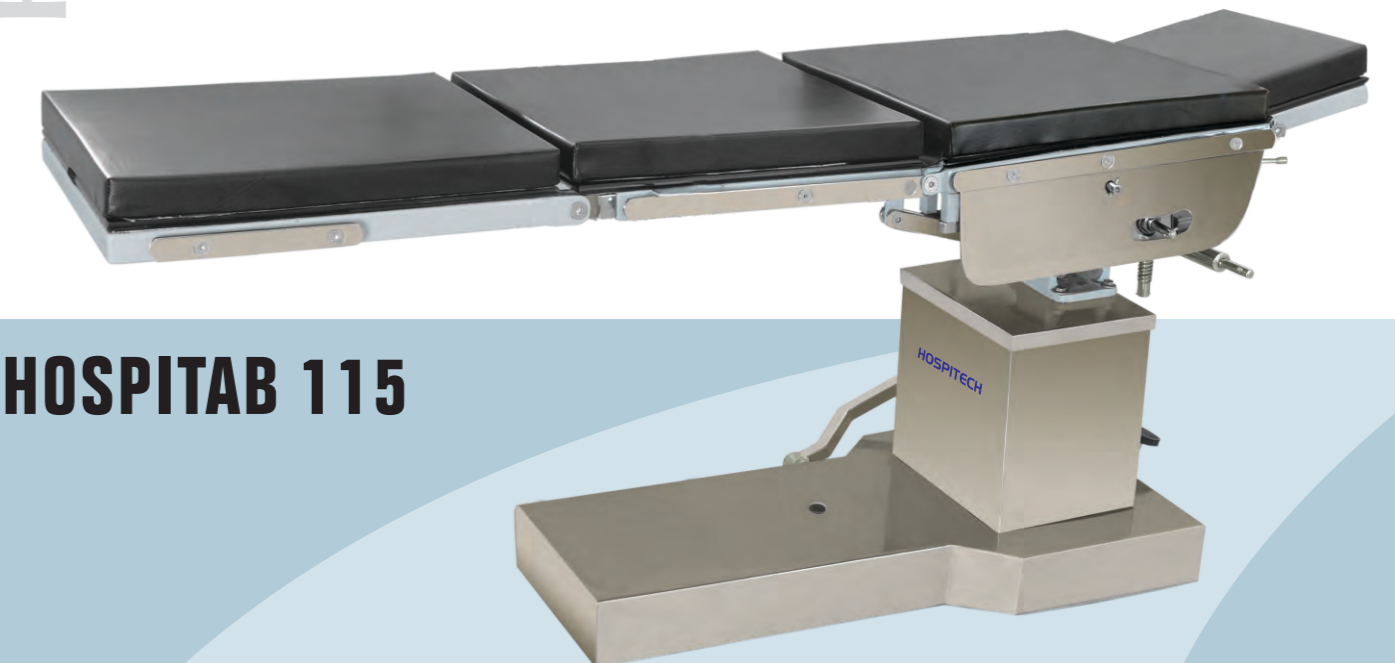
www.hospitechindustries.com



HOSPITECH
Technology For Life

HYDRAULIC

**Multi Speciality
Operating Table Compatible
with
C-ARM Image Intensifier**



HOSPITAB 115

APEXIA : 98109-48555