



NXL FLOW INSTRUMENTS



FEATURES

- Highly sensitive to low flow rates and very accurate over its entire flow range.
- Low head loss.
- Vacuum sealed, leak proof and dry Totaliser.
- Self-lubricating gears
- Long maintenance free working life.
- Pulse transmitter (optional).

An inferential, multijet, dry type water meter with magnetic drive and vacuum sealed register.

STANDARDS

Conforms to ISO 4064, Class-B.

Domestic Water Meters

MULTI JET Class B, 15mm-40mm (1/2"-1 1/2")

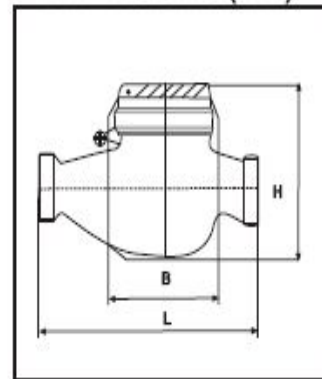
METROLOGICAL CHARACTERISTICS

	Accuracy	15mm	20mm	25mm	40mm
		CL-B	CL-B	CL-B	CL-B
Lower limit of flow, Q_{min} l/h	$\pm 5\%$	30	50	70	200
Transitional flow, Q_t l/h	$\pm 2\%$	120	200	280	800
Nominal Flow, Q_n l/h	$\pm 2\%$	1500	2500	3500	10000
Maximum Flow, Q_{max} l/h	$\pm 2\%$	3000	5000	7000	20000
Test pressure MPa		2			
Temperature suitability $^{\circ}C$		50 $^{\circ}C$			
Dial Registration	KI	99999			
Smallest reading	lts.	0.05			0.5

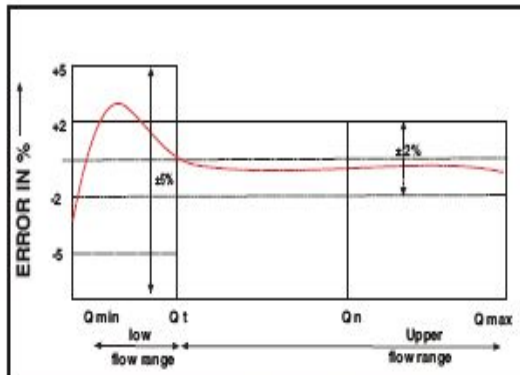
DIMENSIONS

DESCRIPTION	15mm	20mm	25mm	40mm
Meter Thread	$\frac{3}{4}$ " BSP	1" BSP	1 $\frac{1}{4}$ " BSP	2" BSP
End connection threads	$\frac{1}{2}$ " BSP	$\frac{3}{4}$ " BSP	1" BSP	1 $\frac{1}{2}$ " BSP
Length of meter with coupling	250mm	290 mm	380 mm	430 mm
Length of meter without coupling L	165 mm	195 mm	225 mm	245 mm
Height H	110mm	113 mm	115 mm	155 mm
Width B	96mm	96 mm	100 mm	124 mm
Weight with coupling	1.49 kg.	1.80 kg.	2.10 kg.	5.50 kg.

DIMENSIONS (MM)

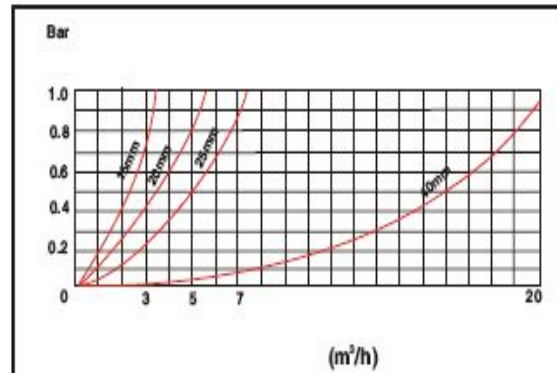


ACCURACY CURVE



PTCPL reserves the right to change the design & specifications without prior notice as a result of continuous process of research & development

HEAD LOSS CURVE



No 199/1,7th Main,G B Palya,Bommanahalli,Bangalore-560 068
 Mob:9341250460/8217723419 Whats App:9164542404
 Email:nxlinstruments@yahoo.com /nxlinstruments@gmail.com
 WWW.nxlflow.in