

3057 b



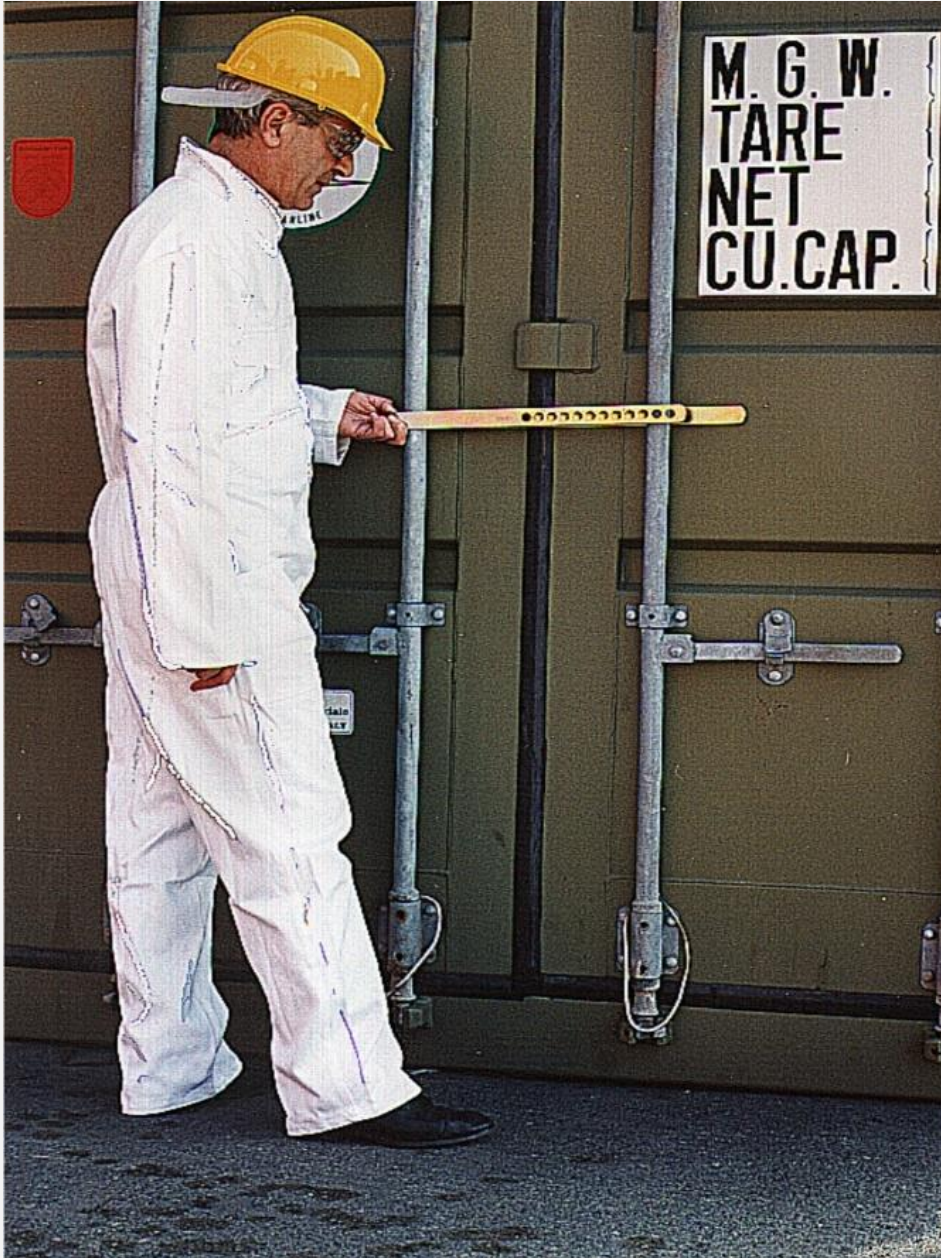
# FORKSEAL

**ISO 17712:2013  
approved**

**PROTECTION - CONTROL - IDENTIFICATION - TRACKING**



**LeghornGroup**  
*Protection - Control - Identification - Tracking*  
*Since 1978*



This security seal acts by clamping the two central barriers of the container and clearly blocking the doors opening.

Thanks to its technical measures, FORKSEAL® is a really safe product.

As a matter of fact, in twelve years of production, any inexplicable tampering on a container sealed with FORKSEAL® has ever occurred.

Forkseal® has been carried out from LeghornGroup's technicians according to their experiences and some suggestions of international transport managers, who were wound-up by the continuing inexplicable lack of goods in the container during transportation.

**PROTECTION – CONTROL - IDENTIFICATION – TRACKING**



41, Cauvey Layout, Mariyannapalya, Hebbal Agriculture college post - I-560024 Bangalore - INDIA  
 Ph +91 9538022871 Skype live:df683f46223f563f  
 E-mail: info@leghorngroup.in  
 Website: <http://www.leghorngroup.in>



## HOW TO LOCK IT



Insert the Forkseal between the two central barriers of the container, ensuring that the bend part of the barrier seal matches perfectly with the left barrier of the container.



The two barriers should be blocked the closest possible in order to avoid any opening of the container.

This has been made possible by the series of holes on the FORKSEAL.



Some containers have a 3mm space between the barriers and the doors; Forkseal® is probably the only high security seal that can be used on all types of container.



Once we reach our destination, a bolt cutter is necessary to remove the FORKSEAL and free the doors of the container.

### PROTECTION – CONTROL - IDENTIFICATION – TRACKING



41, Cauvey Layout, Mariyannapalya, Hebbal Agriculture college post - I-560024 Bangalore - INDIA  
 Ph +91 9538022871 Skype live:df683f46223f563f  
 E-mail: [info@leghorngroup.in](mailto:info@leghorngroup.in)  
 Website: <http://www.leghorngroup.in>



## FORKSEAL C (classic) FORKSEAL M.E. (metallic engraved)

Both models have the same safety index but they have a different kind of customisation process on the seal.

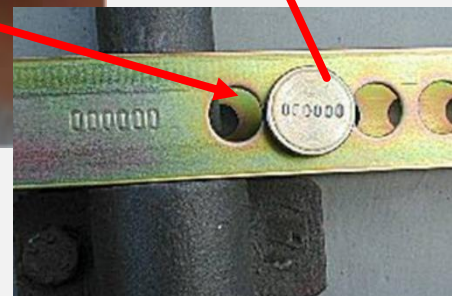


Three-colour  
customisation on the  
plastic label. 18 colour  
combinations.  
**IMPOSSIBLE TO  
DUPLICATE IT**

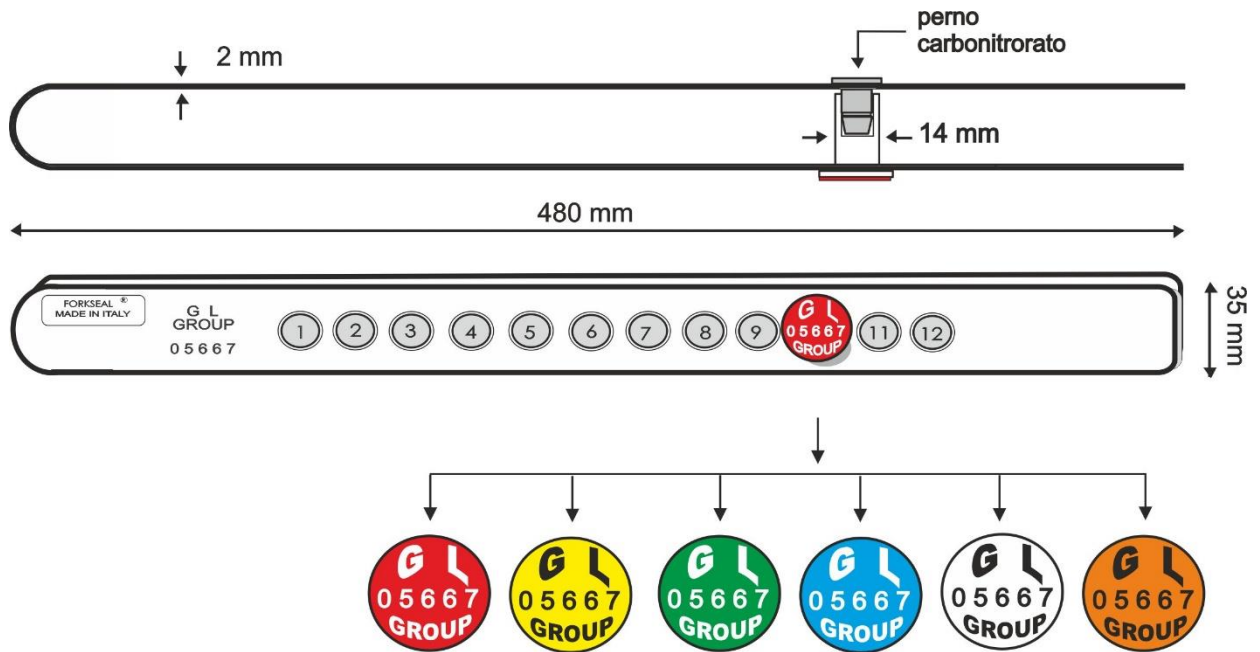


Metallic engraved  
customisation.

**IMPOSSIBLE TO  
DUPLICATE IT**



**PROTECTION – CONTROL - IDENTIFICATION – TRACKING**



### **SEQUENTIAL NUMBERING AND CUSTOMISATION:**

- ° Printing : HOT PLASTIC MELTING ON THE PIN
- ° Sequenced numbering up to 6 digits
- ° Customised up to 15 characters
- ° Logos available upon request
- ° Logos and numbering are also engraved on all metal bar
- ° Numbering is repeated also in the metallic bolt.

### **MATERIAL:**

- ° Galvanised steel

### **PACKAGING:**

25 pcs per carton  
 Carton size: 50x20x15 cm  
 Carton weight: 15 kg

### **PROTECTION – CONTROL - IDENTIFICATION – TRACKING**

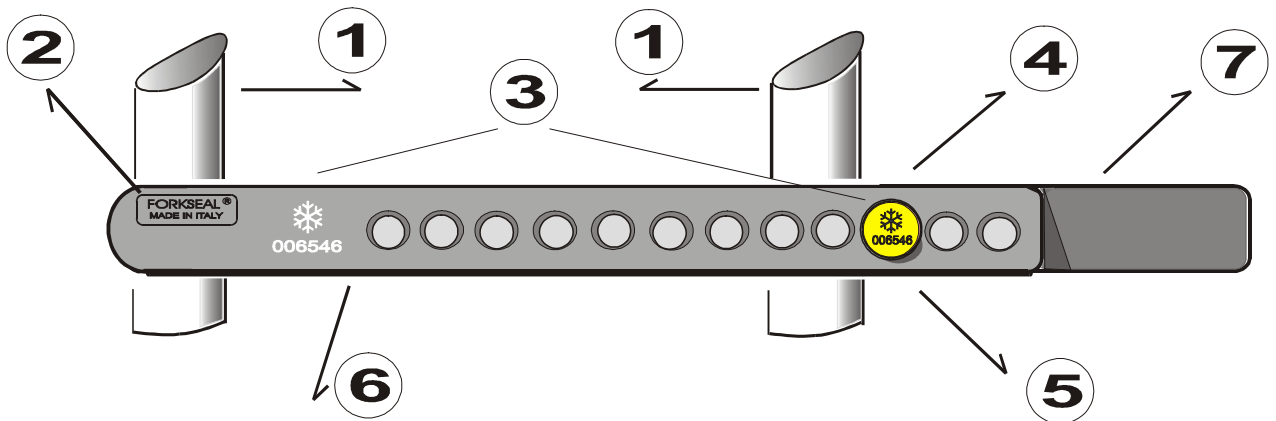


41, Cauvey Layout, Mariyannapalya, Hebbal Agriculture college post - I-560024 Bangalore - INDIA  
 Ph +91 9538022871 Skype live:df683f46223f563f  
 E-mail: [info@leghorngroup.in](mailto:info@leghorngroup.in)  
 Website: <http://www.leghorngroup.in>



Here below, please find the 7 main strengths:

1. Forkseal® blocks the two central barriers of any container.
2. Forkseal® is guaranteed by the name of its manufacturer printed on the metal.
3. The barrier has the same numbering and customisation JUST LIKE the bolt which locks it.
4. The seal is CARBONITRIDED. It can be cut with a angle grinder which will bring an irreparable damage.
5. The seal spins also inside the barrier which shows that it is intact.
6. The barrier is adjustable and suitable to all the measures of a container. If it is closed right, it won't leave any openness.
7. The entire seal has the I.S.O. measures thanks to which there is no possibility of accidents to people or objects.



## PROTECTION – CONTROL - IDENTIFICATION – TRACKING



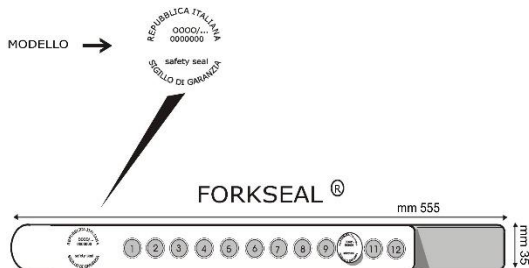
41, Cauvey Layout, Mariyannapalya, Hebbal Agriculture  
college post - I-560024 Bangalore - INDIA  
Ph +91 9538022871 Skype live:df683f46223f563f  
E-mail: [info@leghorngroup.in](mailto:info@leghorngroup.in)  
Website: <http://www.leghorngroup.in>



## FURTHER INFORMATION AND CERTIFICATES



- **FORKSEAL** has the name of its manufacturer engraved (LeghornGroup)
- It has the same numbering in all its parts :  
barrier – pin– bolt.
- It has a thickness of 3 mm which allows it to be suitable for any container in the world.
- On the barrier there is the suggested cutting point engraved to free the container.
- **ISO 17712:2013 approved**
- **Compliant with the Rules introduced by the Ministry of Health. (Stated from: Requirements for export of meat and meat products from Italy to Japan)**



...

Meat and meat products dispatched to Japan, must be combined with a certificate issued by the official veterinarian. The type of seal is provided in the Annex respectably for meat and beef products, meat and pig meat products and sheep meat and goat meat products.

In the event that meat and meat products are dispatched to Japan through other countries, they will have to be placed in a sealed container by Italian health authorities with an appropriate seal provided in the Annex. The seal must have the following characteristics : 3,5 cm round shape diameter which shows on the top : ITALIAN REPUBLIC. In the middle, it shows the approval number of the establishment; above it, the progressive numbering of the seal and at the bottom : Safety seal- TAMPER EVIDENTSEAL.

### PROTECTION – CONTROL - IDENTIFICATION – TRACKING



41, Cauvey Layout, Mariyannapalya, Hebbal Agriculture college post - I-560024 Bangalore - INDIA  
 Ph +91 9538022871 Skype live:df683f46223f563f  
 E-mail: [info@leghorngroup.in](mailto:info@leghorngroup.in)  
 Website: <http://www.leghorngroup.in>



# WORLD CONTACTS

General e-mail: [info@leghorngroup.com](mailto:info@leghorngroup.com)



**LeghornGroup** – Italy  
[www.leghorngroup.it](http://www.leghorngroup.it)

**LeghornGroup** – U.S.A.  
[www.leghorngroup.com](http://www.leghorngroup.com)

**LeghornGroup** – Belgium  
[www.leghorngroup.be](http://www.leghorngroup.be)  
[www.leghorngroup.nl](http://www.leghorngroup.nl)

**LeghornGroup** – India  
[www.leghorngroup.in](http://www.leghorngroup.in)

**LeghornGroup** – Czech Rep.  
[www.leghorngroup.cz](http://www.leghorngroup.cz)  
[www.leghorngroup.pl](http://www.leghorngroup.pl)

**LeghornGroup** – Greece  
[www.leghorngroup.gr](http://www.leghorngroup.gr)

**LeghornGroup** – Moldova  
[www.leghorngroup.ro](http://www.leghorngroup.ro)

**LeghornGroup** – Spain  
[www.leghorngroup.es](http://www.leghorngroup.es)



41, Cauvey Layout, Mariyannapalya, Hebbal Agriculture  
 college post - I-560024 Bangalore - INDIA  
 Ph +91 9538022871 Skype live:df683f46223f563f  
 E-mail: [info@leghorngroup.in](mailto:info@leghorngroup.in)  
 Website: <http://www.leghorngroup.in>

**PROTECTION- CONTROL- IDENTIFICATION- TRACKING**