



DIRECT ACTING PRESSURE REDUCING VALVE MRP

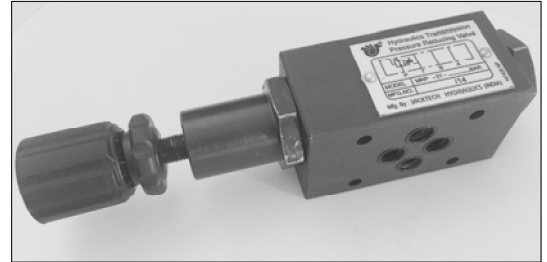
Page - 1/2
Release 04/2015

Description

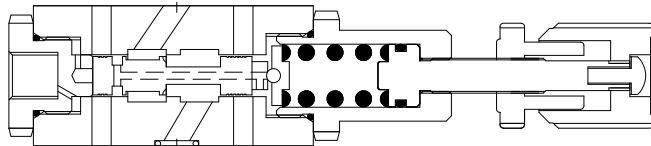
Direct acting, spool type pressure reducing valve with control of pressure from either secondary circuit (MODEL MRP 01 / MRA 01 / MRB 01).

Four pressure rating 25, 50, 100, 200 bar with primary pressure rating to 315 bar.

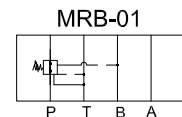
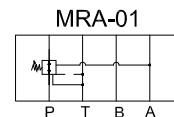
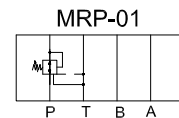
To make pressure adjustment loosen the lock nut & turn the pressure adjustment screw clockwise or anticlockwise. For an increase of pressure, turn the screw clockwise. be sure to re-tighten the lock nut firmly after making adjustment to the pressure.



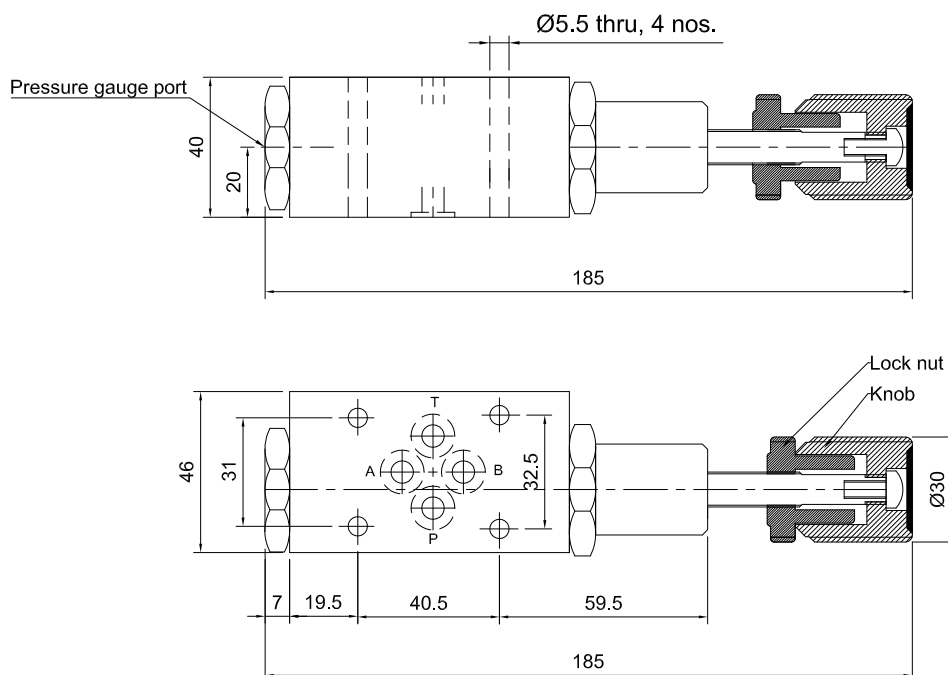
Section



Hydraulics Symbols



Unit Dimensions



JACKTECH HYDRAULICS

Plot no.-433 G.I.D.C. Odhav
Opp. Bhiksuk gruh
Ahmedabad-382415 INDIA

Phone : +91-(0)79 22892302,03,04

Fax : +91-(0)79 22892305

E-mail : info@jacktechhyd.com

Website : www.jacktechhyd.com



**DIRECT ACTING
PRESSURE REDUCING VALVE
MRP**

Technical specification

Construction	Direct acting, spool type.
Mounting style	Modular type
Mounting position	Optional.
Operating pressure for port P	315 bar.
for port A & B	200 bar.
for port T	60 bar max.
Pressure setting ranges	25, 50, 100, 200 bar.
Hydraulics medium	Mineral Oil
Viscosity range	10 cSt to 380 cSt.
Fluid temperature range	-20°C to +70°C
Mass	1.65 kg.
Max. flow handling capacity	30 litre/min.

Ordering code

