

# MTCV Module Throttle And Check Valves



The valve can control pressure value of one oil road in system. Manifold pressure can be come trued by adjustment handle.

Max.Pressure 21MPa  
 Max.Flow :  
 Size 02 up to 35L/min  
 Size 03 up to 70L/min

## Ordering details

MTCV	-02	-A	-O
Sort	Size	Port number	Control type
MTCV: Module Throttle And Check Valves	02	A: A port B: B port	O: Meter out
	03	W: A、 B port	I: Meter in

## Symbols

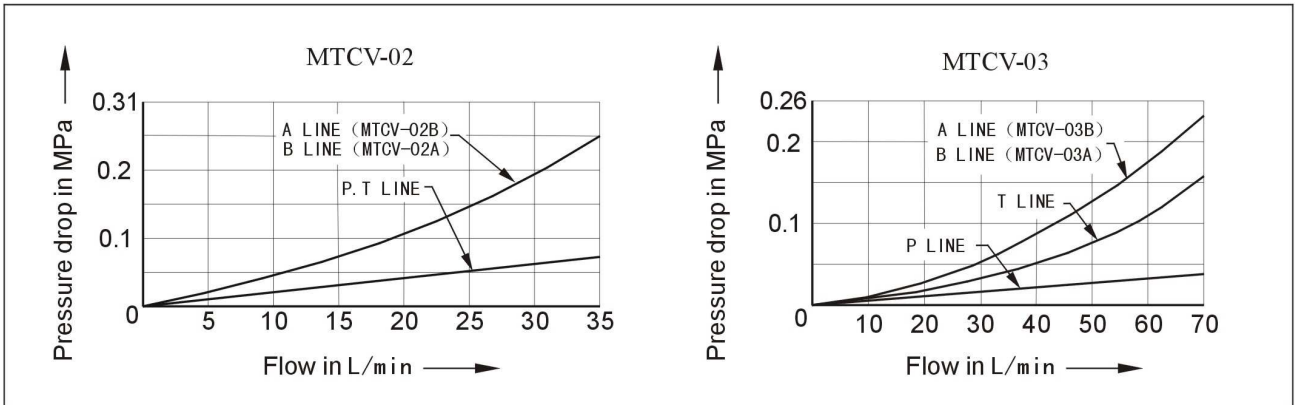
Type	MTCV-※-A-O	MTCV-※-B-I	MTCV-※-W-I
Meter out			
Type	MTCV-※-A-I	MTCV-※-B-O	MTCV-※-W-O
Meter in			

## Technical data

Type	Max.pressure MPa	Max.flow L/min	Weight Kg
MTCV-02	21	35	1.3
MTCV-03		70	2.8

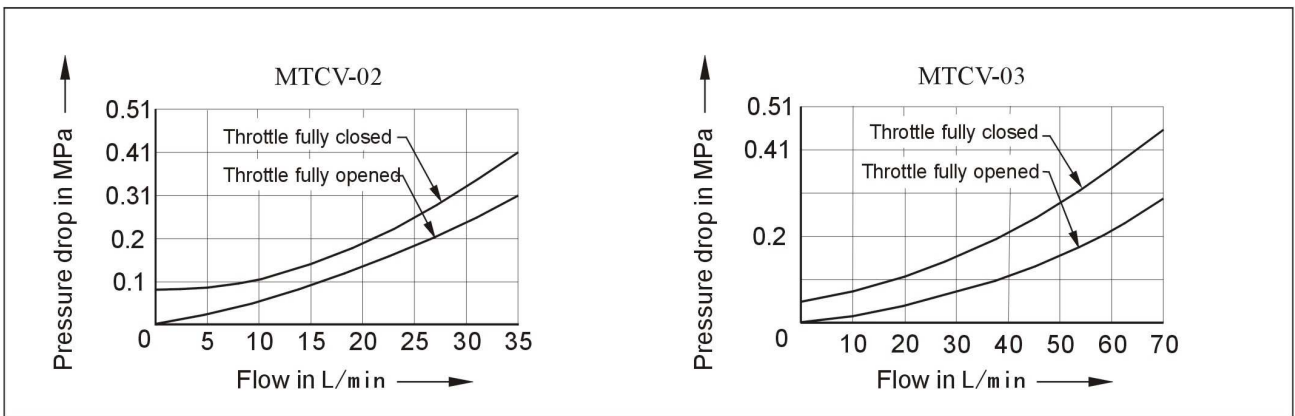
## Characteristic Curves : Pressure drop

( measured at  $v=35\text{mm}^2/\text{s}$  and  $t=50^\circ\text{C}$  )



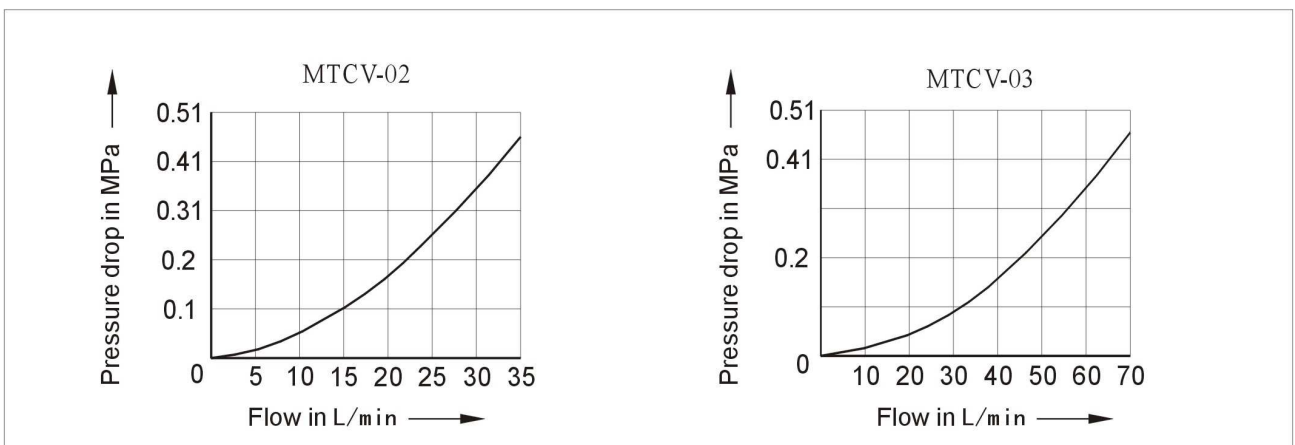
## Characteristic Curves : Pressure drop for free flow

( measured at  $v=35\text{mm}^2/\text{s}$  and  $t=50^\circ\text{C}$  )



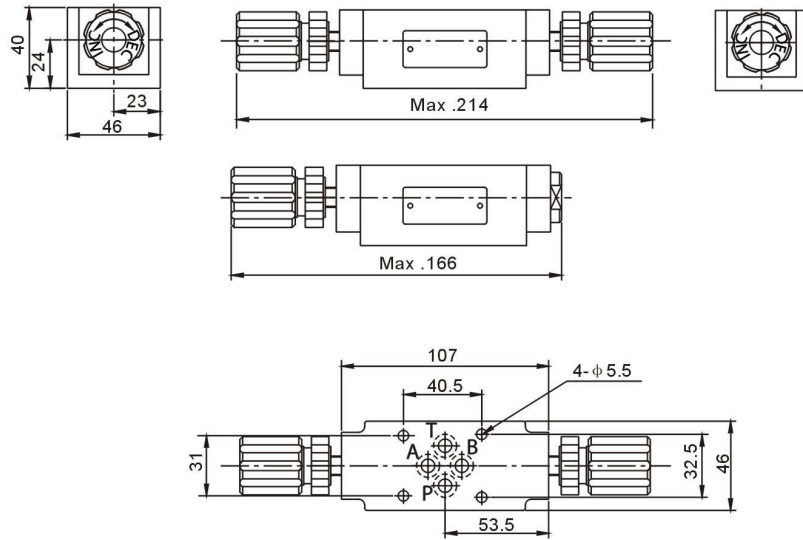
## Characteristic Curves : Pressure drop at throttle fully opened

( measured at  $v=35\text{mm}^2/\text{s}$  and  $t=50^\circ\text{C}$  )



## Installation dimensions

### ● MTCV-02



### ● MTCV-03

