



## BALL VALVE 2 WAYS

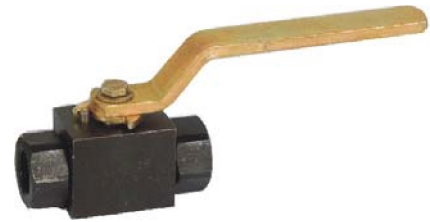
Page - 1/2  
Release 04/2015

### Description & Features

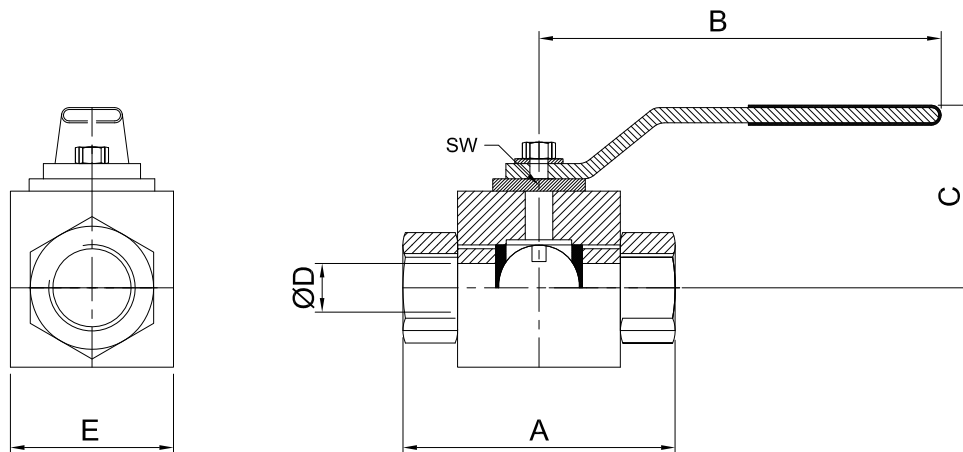
The JACKTECH family of dependable high pressure ball valves provides full, unrestricted flow and positive shut-off of fluids and gases under extreme service conditions.

Model are available to accommodate system pressure up to 7000 PSI.

- \* Full passage for unrestricted flow of medium.
- \* Floating ball provides positive seal
- \* Direction of flow indicated by milled slot in control spindle.
- \* Valve positioning controlled by a stop pin and limit washer.
- \* Phosphate coated valve body standard.
- \* Individually tested for leakage free performance.
- \* 1/4" to 2" Full port design.
- \* Carbon steel Block housing.
- \* Zero leakage shutt-off
- \* Temperature range -10°C to +80°C standard range.



### Unit Dimensions



SIZE	DN	BAR	A	B	C	D	E	SW
1/4"	6	500	66	120	44	6.4	30	9.6
3/8"	10	500	71	120	48	9.5	32	9.6
1/2"	15	400	84	140	55	12	35	9.6
3/4"	20	300	95	192	75	19	50	13
1"	25	280	110	192	80	25	56	13
1 1/4"	32	250	118	195	90	32	70	13
1 1/2"	40	220	130	220	110	38	80	16
2"	50	200	140	270	120	50	98	16

#### JACKTECH HYDRAULICS

Plot no.-433 G.I.D.C. Odhav  
Opp. Bhiksuk gruh  
Ahmedabad-382415 INDIA

Phone : +91-(0)79 22892302,03,04

Fax : +91-(0)79 22892305

E-mail : [info@jacktechhyd.com](mailto:info@jacktechhyd.com)

Website : [www.jacktechhyd.com](http://www.jacktechhyd.com)



# BALL VALVE 3 WAYS

## Description & Features

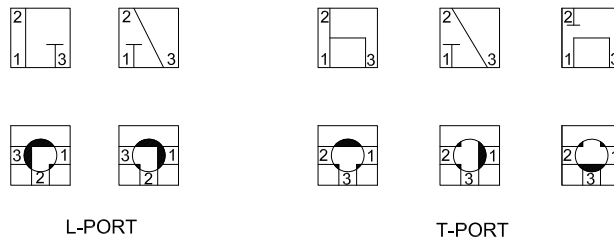
The JACKTECH family of dependable high pressure ball valves provides full, unrestricted flow and positive shut-off of fluids and gases under extreme service conditions.

Model are available to accommodate system pressure up to 7000 PSI.

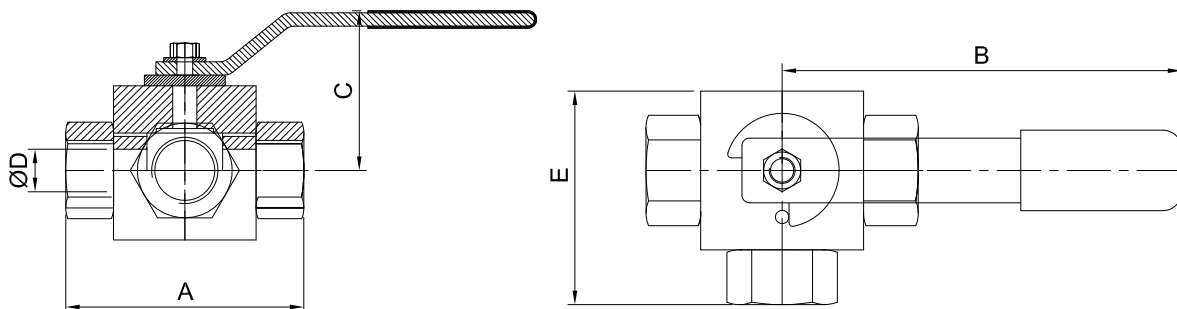
- \* Full passage for unrestricted flow of medium.
- \* Floating ball provides positive seal
- \* Direction of flow indicated by milled slot in control spindle.
- \* Valve positioning controlled by a stop pin and limit washer.
- \* Phosphate coated valve body standard.
- \* Individually tested for leakage free performance.



## Port position



## Unit Dimensions



SIZE	DN	BAR	A	B	C	D	E
1/4"	6	500	59	120	45	6.4	45.5
3/8"	10	500	75	145	60	9.5	59
1/2"	15	400	79	145	62	12	62
3/4"	20	300	102	195	76	19	81
1"	25	280	112	195	85	25	92
1 1/4"	32	250	130	220	110	32	110
1 1/2"	40	220	144	220	120	38	120

### JACKTECH HYDRAULICS

Plot no.-433 G.I.D.C. Odhav  
Opp. Bhiksuk gruh  
Ahmedabad-382415 INDIA

Phone : +91-(0)79 22892302,03,04

Fax : +91-(0)79 22892305

E-mail : info@jacktechhyd.com

Website : www.jacktechhyd.com