



FLOW CONTROL VALVE DV / DRV

Description

Jacktech flow control and flow control & check valves DV/DRV are in accordance with DIN-ISO 1219, valves which are designed to control the flow rate in oil hydraulics systems by means of an adjustable constriction of the cross-section.

The flow rate is dependent on pressure differential and viscosity. Jacktech flow control valves DV have a specially designed throttle mechanism to enable fine adjustment and shut-off of the flow. The flow control and shut-off function works in both directions.

Jacktech flow control & check valves DRV allow the same fine flow adjustment. The flow control and shut-off function, however works in one direction only. Unrestricted flow in the reverse direction is via the built in check valve.

These valves are space saving inline mounting due to compact construction. A high level of safety is achieved through spindle safety mechanism. A set screw locks the setting. Choice of five sizes ensures best possible adaptability to the systems.

Function of DV

Jacktech flow control valves consist essentially of a valve body a special control spindle and the control knob. Starting with the control spindle in the fully closed position when the flow is shut off, the flow rate increases according to the relevant graph as the number of turns of the control knob is increased.

The control knob with its coloured scale and scale rings permits accurate repetition of the settings. The size of the coloured triangle on the rings indicate the size of the flow area. An increase in the size of the coloured triangle corresponds to an increase in flow area. A set-screw locks the setting.

The flow is controlled in both direction



Function of DRV

Jacktech flow control & check valves consist essentially of a valve body with built-in valve seat, a hardened and polished closing cone, a spring the control spindle and the control knob. The closing cone is pressed on to the valve seat by the spring, thereby shutting off port A from port B. Starting with the control spindle in the fully closed position when the flow is shut off, the flow rate in flow direction A to B increases according to the relevant graph as the number of turns of the control knob is increased. The control knob with its coloured scale and scale rings permits accurate repetition of the settings. The size of the coloured triangle on the rings indicates the size of the flow area. An increase in the size of the coloured triangle corresponds to an increase in flow area. A set-screw locks the setting.

The closing cone opens when the pressure across port B is higher than pressure across port A including the cracking pressure produced by the spring force.



Application

Jacktech flow control and flow control & check valves DV/DRV are used:

- For regulating the speed of loads
- For system-related damping in hydraulic circuits.
- For pressure-dependent control of flow rates in general.
- To release pressure from accumulator systems.
- As an emergency drain for lowering a load.
- Areas of application include for example:-
Hydraulics units , Elevating platforms , Mobile hydraulics

JACKTECH HYDRAULICS

Plot no.-433 G.I.D.C. Odhav
Opp. Bhiksuk gruph
Ahmedabad-382415 INDIA

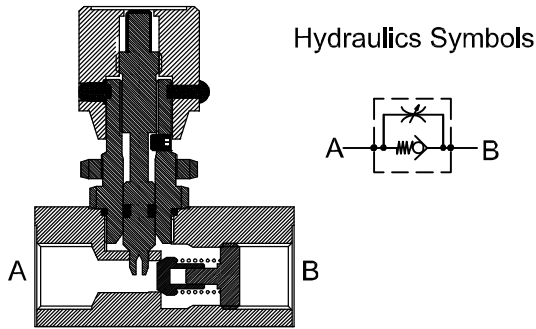
Phone : +91-(0)79 22892302,03,04
Fax : +91-(0)79 22892305
E-mail : info@jacktechhyd.com
Website : www.jacktechhyd.com



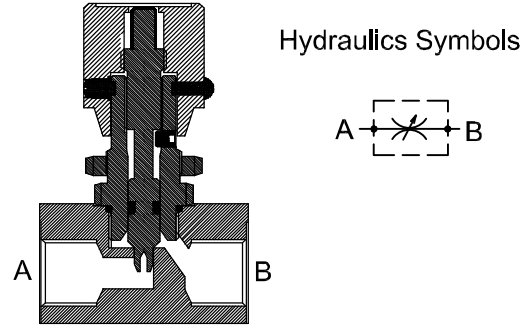
FLOW CONTROL VALVE
DV / DRV

Section

Model: DRV



Model: DV



Dimensions of DV

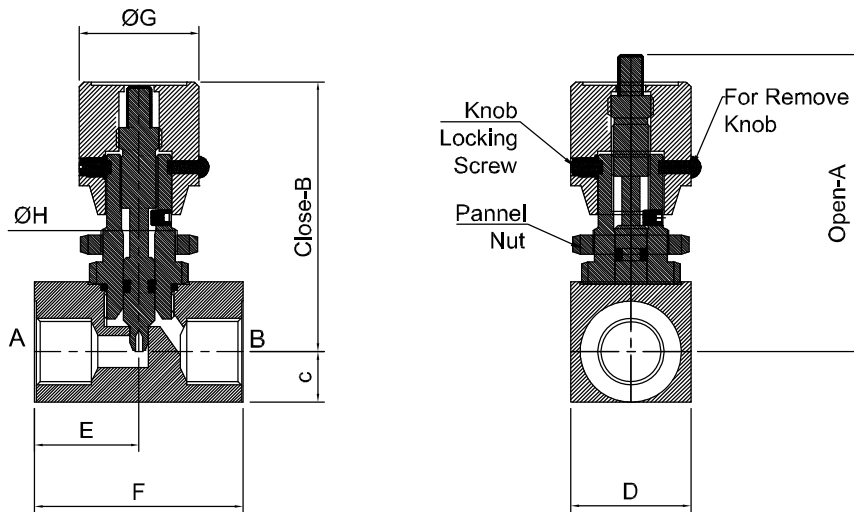


Table No.-1

SIZE	Threaded connection	Weight	Flow capacity	A	B	C	D	E	F	G	H
08	G 1/4	0.25	30	74	68	13	30	26	52	29	20
10	G 3/8	0.40	50	76	70	16	35	27	54	29	20
12	G 1/2	0.70	80	94	86	16	38	33	66	38	24
16	G 3/4	1.20	120	97	89	19	44	37	74	38	24
20	G 1	2.10	200	119	107	23	50	50	100	45	35



Dimensions of DRV

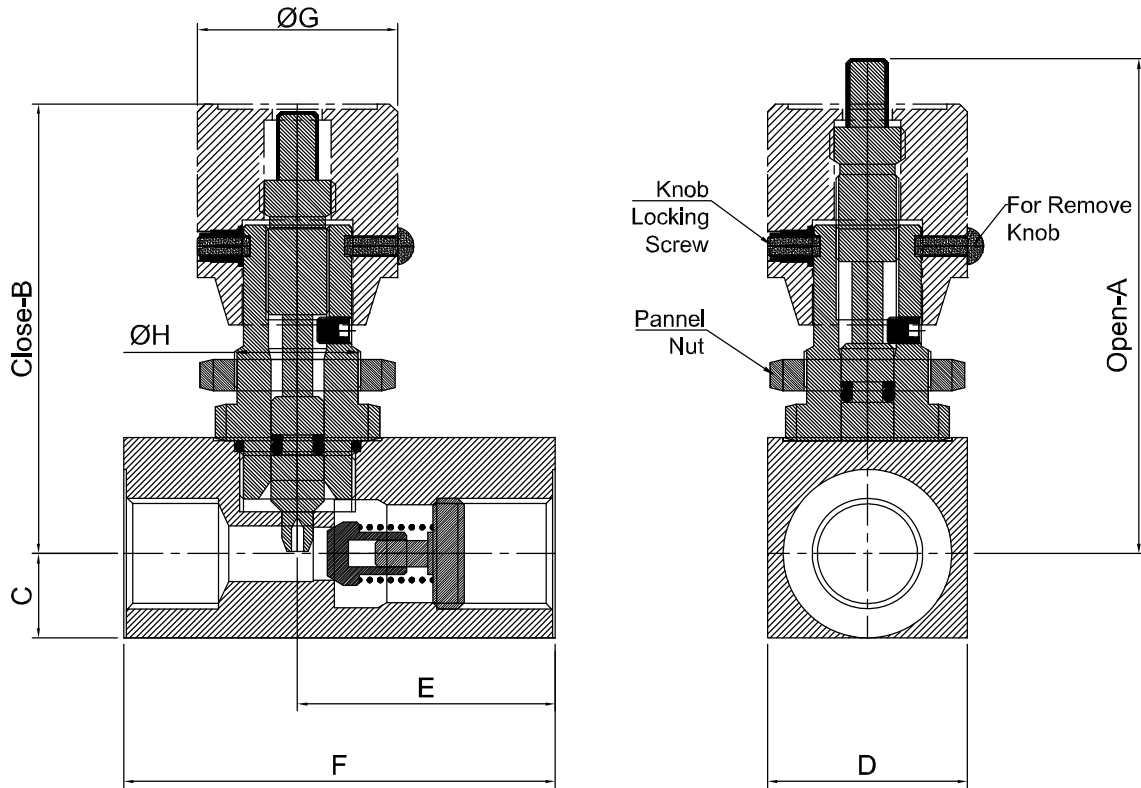


Table No.-2

SIZE	Threaded connection	Weight	Flow capacity	A	B	C	D	E	F	G	H
08	G 1/4	0.25	30	74	68	13	30	38	64	29	20
10	G 3/8	0.40	50	76	70	16	35	41	68	29	20
12	G 1/2	0.70	80	94	86	16	38	49	82	38	24
16	G 3/4	1.20	120	97	89	19	44	61	98	38	24
20	G 1	2.10	200	130	107	23	50	77	127	45	35



FLOW CONTROL VALVE
DV / DRV

Technical specification

Type of construction Model - DV Slot type flow control valve with shut-off function.
 Model - DRV Slot type flow control valve with shut-off function and built-in check valve.

Mounting style In line mounting.

Mounting position Optional.

Nominal pressure 350 bar across all ports.

Direction of flow Model - DV Optional
 Model - DRV From A to B controlled flow
 From B to A free flow via check valve.

Operating fluid Mineral Oil

Viscosity range 10 cSt to 380 cSt.

Fluid temperature range -20°C to +70°C

Type of adjustment Manually using control knob.

Cracking pressure of DRV 0.5 bar

Ordering code

