



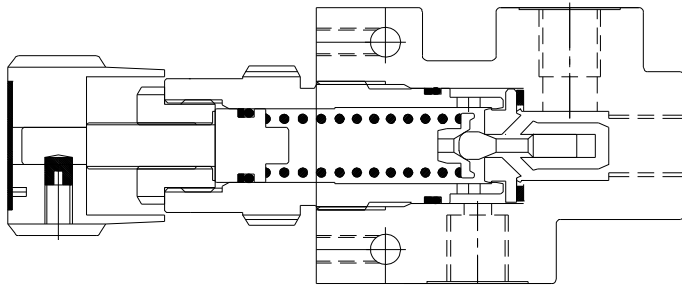
**DIRECT ACTING  
PRESSURE RELIEF VALVE  
DPR**

**Description**

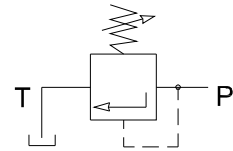
Direct acting valves.  
 Guided poppet design.  
 Cushion arrangement for greater stability and noise control.  
 Three sizes.                   - 06, 10, and 20.  
   - Threaded cartridge.  
   - Threaded port body  
   - Subplate mounting body.  
 Six pressure ranges   - Up to 25, 50, 100, 200, 315 & 400.  
 Pressure adjustment   - With hand knob.



**Section**



**Hydraulics Symbol**



**Unit Dimensions**

**Threaded cartridge and cavity details**

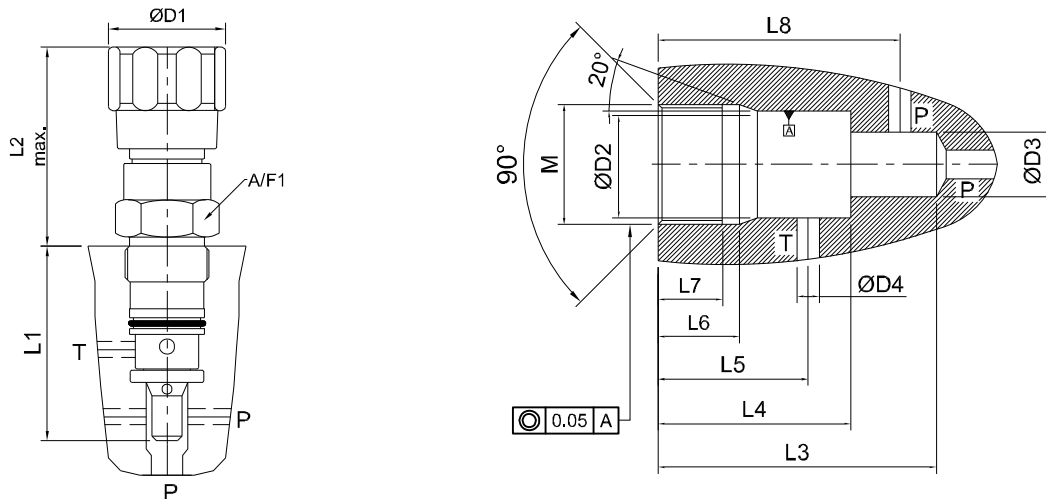


Table No.-1

SIZE	Mass Kgs.	A/F1	M	ØD1	ØD2	ØD3	ØD4	L1	L2	L3	L4	L5	L6	L7	L8	Tightning torque Nm
06	0.45	30	M28X1.5	43	25	15	6	64	64	65	45	35	19	15	55	120
10	0.95	36	M35X1.5	48	32	19	10	77	82	80	52	41	23	18	69	140
20	1.65	46	M45X1.5	60	40	24	20	103	85	110	70	54	27	21	91.5	170

**JACKTECH HYDRAULICS**

Plot no.-433 G.I.D.C. Odhav  
 Opp. Bhlksuk gruh  
 Ahmedabad-382415 INDIA

Phone : +91-(0)79 22892302,03,04  
 Fax : +91-(0)79 22892305  
 E-mail : info@jacktechhyd.com  
 Website : www.jacktechhyd.com



# DIRECT ACTING PRESSURE RELIEF VALVE DPR

## Threaded port body

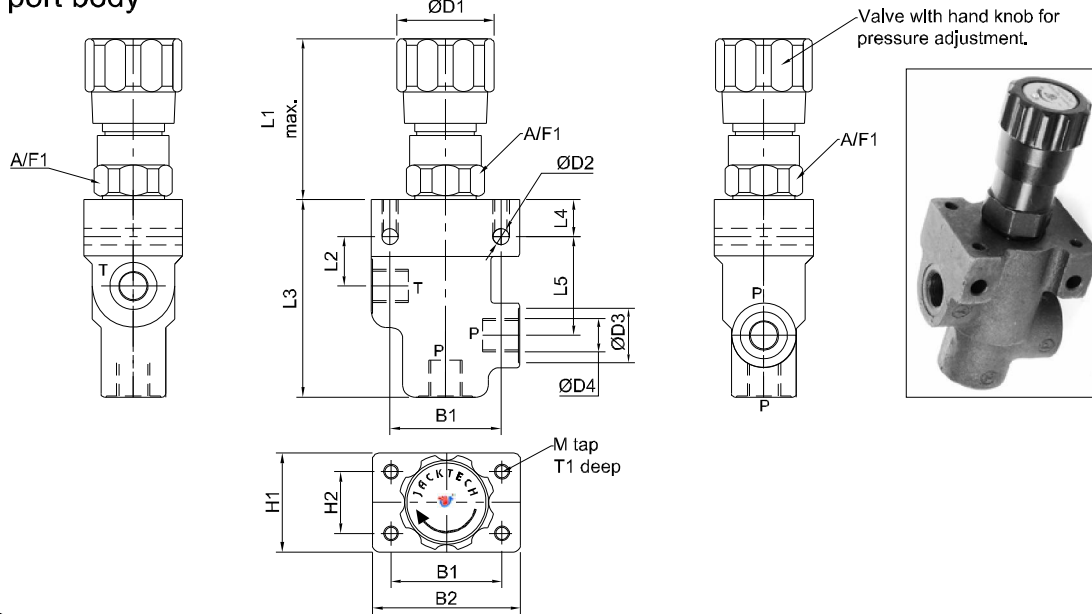


Table No.-2

SIZE	Mass Kgs.	B1	B2	ØD1	ØD2	ØD3	ØD4	M	A/F1	L1	L2	L3	L4	L5	H1	H2	T1
06	1.2	45	60	43	6.6	22	G1/4	M6	30	64	20	80	15	40	40	25	11
10	2.8	60	80	48	9	30	G1/2	M8	36	82	22	100	20	49	60	40	15
20	6.2	70	100	60	9	44	G1	M8	46	85	34	135	20	65	70	50	15

## Subplate mounting body

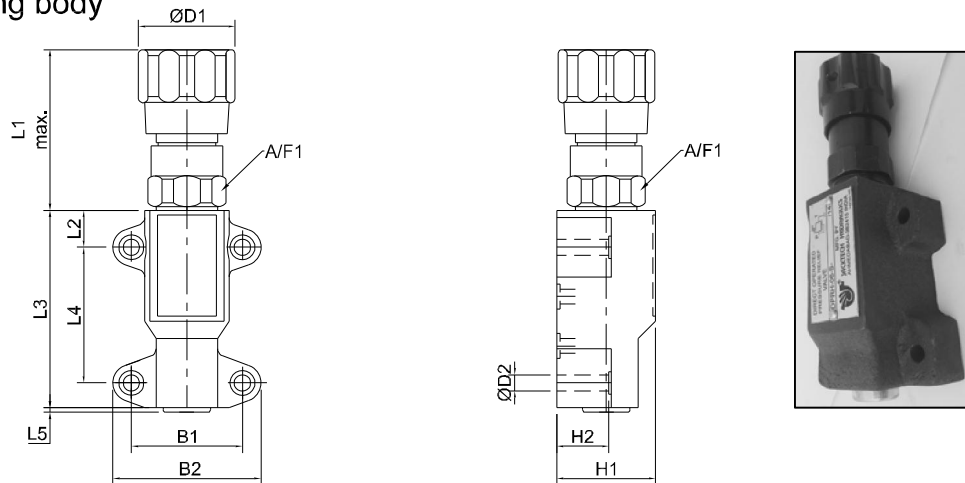


Table No.-3

SIZE	Mass Kgs.	B1	B2	ØD1	ØD2	A/F1	L1	L2	L3	L4	L5	H1	H2
06	1.1	45	60	43	6.6	30	64	15	80	55	4	40	21
10	2.4	60	80	48	9	36	82	20	100	70	5	55	28
20	8	70	100	60	9	46	85	20	135	100	5	70	70

### JACKTECH HYDRAULICS

Plot no.-433 G.I.D.C. Odhav  
Opp. Bhlksuk gruh  
Ahmedabad-382415 INDIA

Phone : +91-(0)79 22892302,03,04  
Fax : +91-(0)79 22892305  
E-mail : info@jacktechhyd.com  
Website : www.jacktechhyd.com

