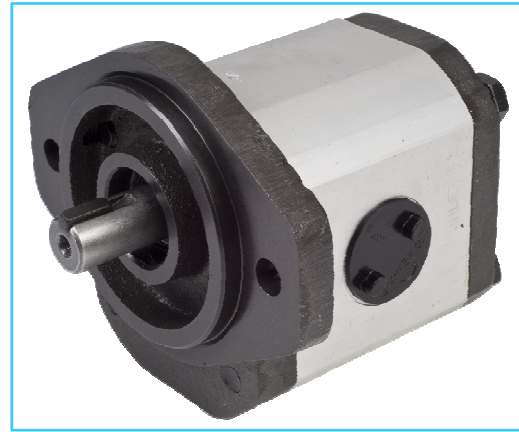


PG1-Series Gear Pumps

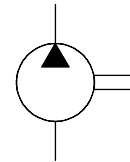
- High strength aluminum extruded body.
- Hardened and ground integral gear shaft.
- Special aluminum alloy bush bearing.
- Axially balanced for high volumetric efficiency in excess of 95%.
- 12 teeth design with modified profile for low noise.
- Viscosity range of fluid medium : 10~300cSt.



Specifications

Model Numbers	Geometric Displacement cm ³ /rev.	Maximum Pressure Kgf/cm ²		Shaft Speed Range r/min.		(Approx.) Mass (Kg.)
		Continuous	Intermittent	Max.	Min.	
PG1-066	6.6	200	225	3500	600	3.30
PG1-084	8.4					3.40
PG1-093	9.3					3.50
PG1-109	10.9			3000	500	3.60
PG1-120	12.0					3.70
PG1-133	13.3	190	215	2500	500	3.80
PG1-166	16.6	180	205			4.00
PG1-186	18.6					
PG1-226	22.6	170	195			
PG1-267	26.7					

Graphic Symbol

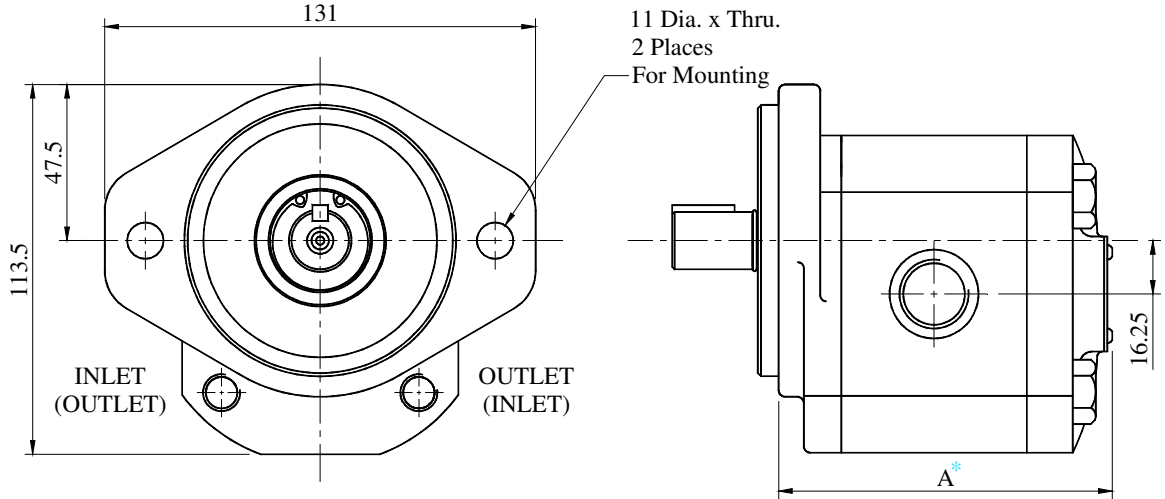


Model Number Designation

PG1	-066	-P	-1	-P	-B	-R	-10	※
Series	Size	Shaft	Mounting	Port	Driven Shaft Seal	Direction of Rotation (Viewed from Shaft End)	Design Number	Design Std.
PG1	066	P: Straight with Snap ring	1: SAE 'A' -2 Bolt	P: BSPF Port	B: Nitrile	R: Clockwise	10	80
	084							
	093							
	109	T: Taper shaft *	2: 2-Bolt-spigot depth 4.8mm	S: SAE Port	V: Viton *	L: Counter Clockwise	81	
	120							
	133	U: SAE Spline *	3: Rectangular-4 Bolt (With 36.47 Dia. Spigot)	F4: Flange Port 4 Holes				
	166	9T 16/32 DP						
	186	G: Tang Shaft	4: Rectangular-2 Bolt (With 50 Dia. Spigot)					
	226							
267								

* Consult factory for availability.

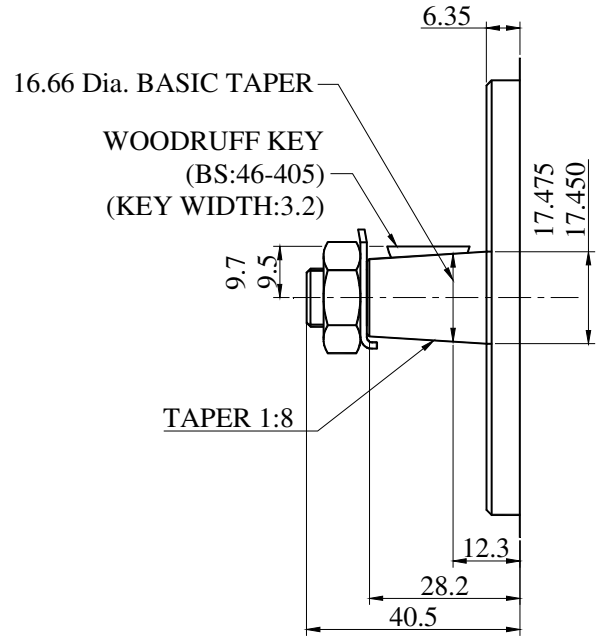
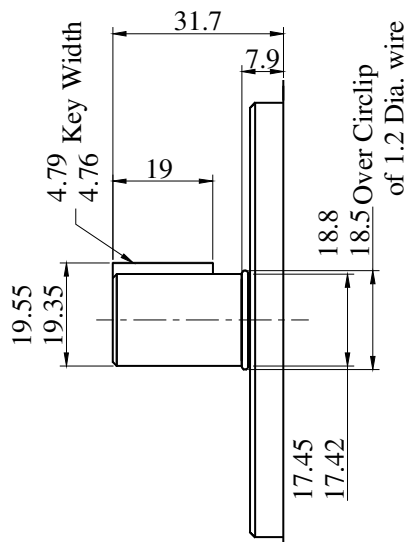
● PG1-※-P-1-※-※-※-1080/1081



* Refer page no. 4 for the A dimension.

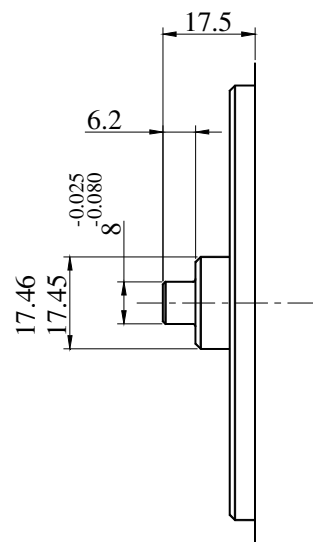
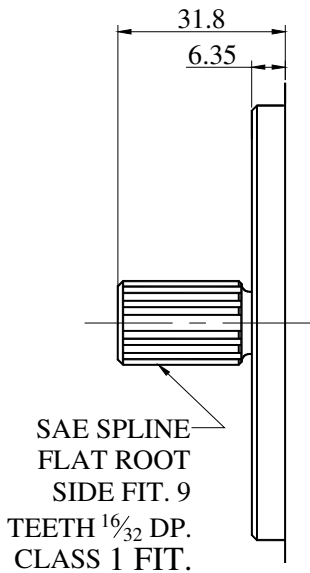
DIMENSIONS IN MILLIMETRES

● Shaft Details



Option-S

Option-T



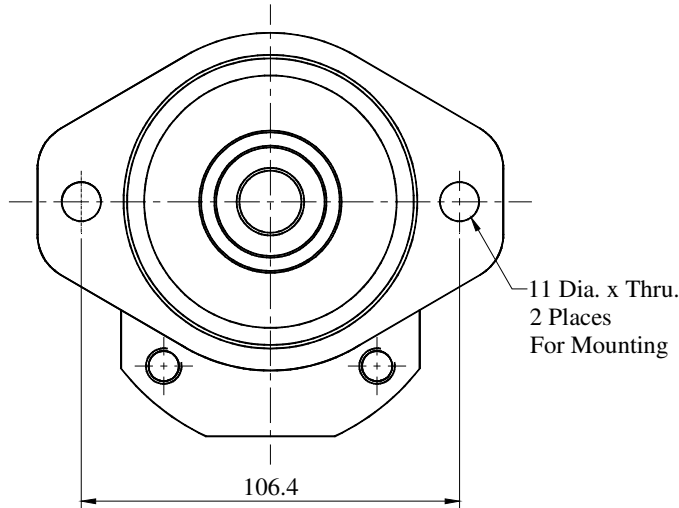
Option-U

Option-G

• **Mounting Details**

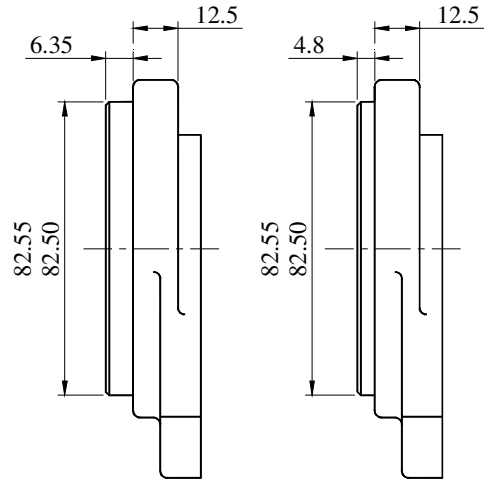
DIMENSIONS IN MILLIMETRES

SAE 'A' - Bolt



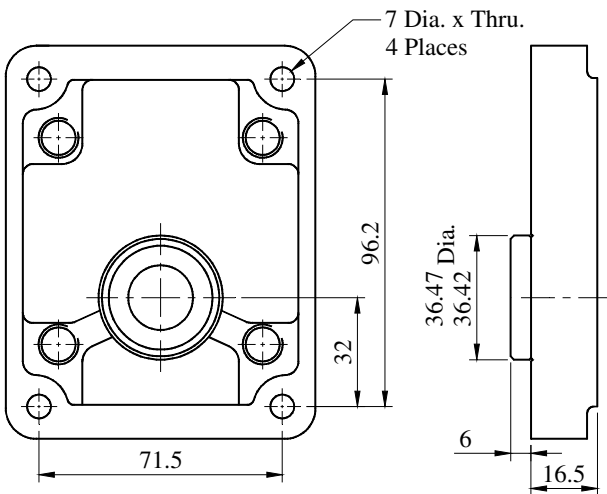
Option-1
(For 1080)

Option-2
(For 1081)



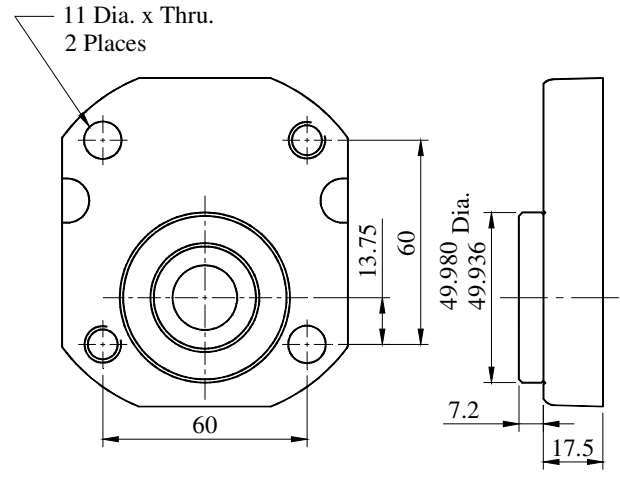
Option-3

Rectangular 4 Bolts
(With 36.47 Dia. Spigot Mounting)



Option-4

Rectangular 2 Bolts
(With 50 Dia. Spigot Mounting)



Seals

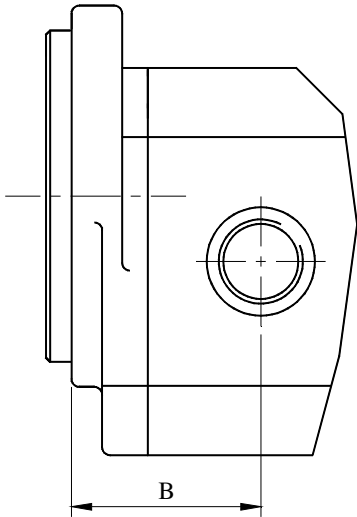
B: Nitrile (Temp. range:- 20°C + 80°C)

V: Viton (Temp. range:- 10°C + 150°C)

B
G
PG1-Series Gear Pumps

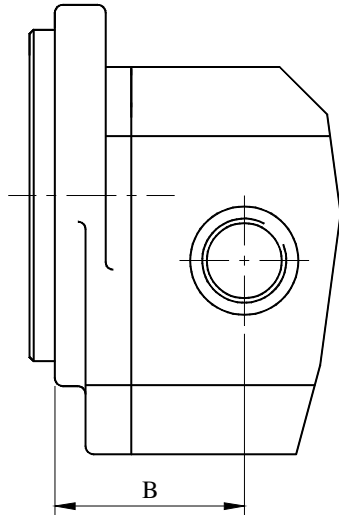
● P : BSP Port

DIMENSIONS IN MILLIMETRES



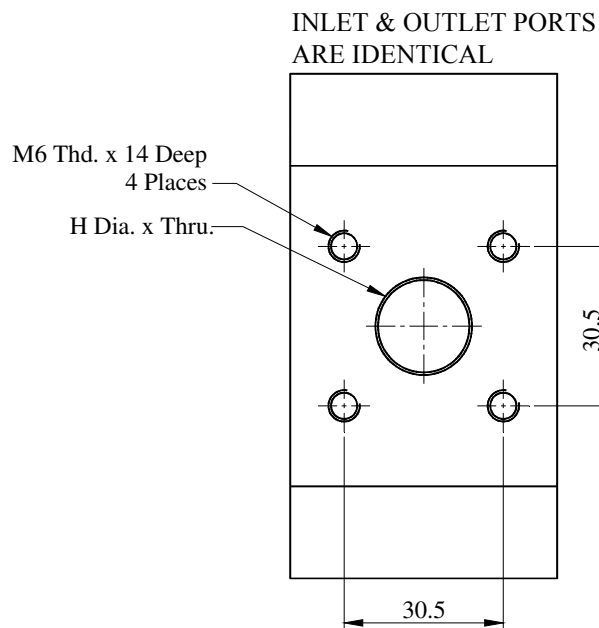
Model Numbers	BSP.F Port Thd.		A	B
	INLET	OUTLET		
PG1 - 066	1/2	1/2	90.8	44.4
PG1 - 084	1/2	1/2	94.3	46.2
PG1 - 093	1/2	1/2	96.0	47.0
PG1 - 109	1/2	1/2	99.1	48.6
PG1 - 120	3/4	3/4	101.2	49.6
PG1 - 133	3/4	3/4	103.7	50.9
PG1 - 166	3/4	3/4	110.2	54.1
PG1 - 186	3/4	3/4	113.9	56.0
PG1 - 226	3/4	3/4	121.6	59.8
PG1 - 267	3/4	3/4	129.6	63.8

● S : SAE Port



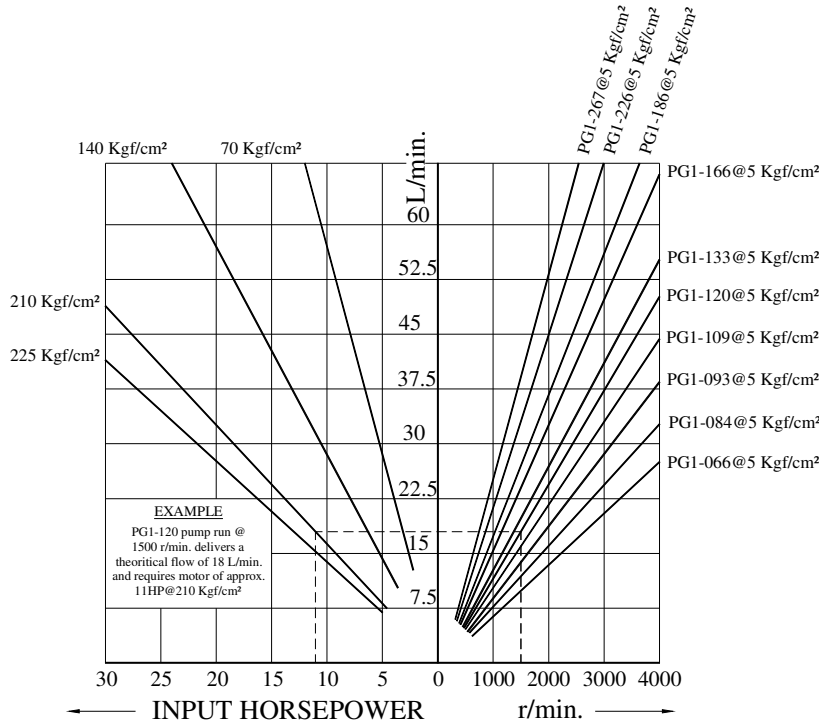
Model Numbers	SAE Port Thd.		A	B
	INLET	OUTLET		
PG1 - 066	1-1/16"-12	7/8"-14	90.8	44.4
PG1 - 084	1-1/16"-12	7/8"-14	94.3	46.2
PG1 - 093	1-1/16"-12	7/8"-14	96.0	47.0
PG1 - 109	1-1/16"-12	7/8"-14	99.1	48.6
PG1 - 120	1-1/16"-12	7/8"-14	101.2	49.6
PG1 - 133	1-5/16"-12	1-1/16"-12	103.7	50.9
PG1 - 166	1-5/16"-12	1-1/16"-12	110.2	54.1
PG1 - 186	1-5/16"-12	1-1/16"-12	113.9	56.0
PG1 - 226	1-5/16"-12	1-1/16"-12	121.6	59.8
PG1 - 267	1-5/16"-12	1-1/16"-12	129.6	63.8

● F4 : Flange Port - 4 Holes



H Dia. = 17.5 For PG1 - 066 to 120
 H Dia. = 20 For PG1 - 133 to 267

Performance Characteristics



Note : These high pressure pumps are not recommended for delivery pressure below 5 Kgf/cm².

Spare Parts List

● **List of Seals**

Sl No.	Name of Parts	Part Numbers		Qty.
		Nitrile	Viton	
1	Body End Seal	B200 01 11	PG1 01 22	2
2	Oil Seal	ISD 17307	B200 01 27	1

Note: When ordering the seals, please specify the seal kit number
 KS-PG1-B for Nitrile
 KS-PG1-V for Viton

B
G
PG1-Series Gear Pumps