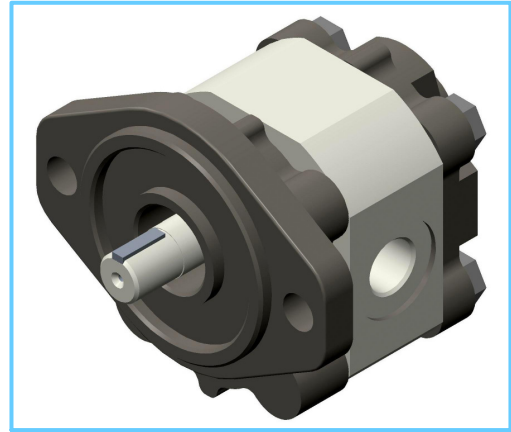


PG1-Series Gear Pumps

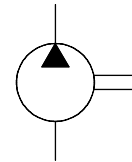
- High strength aluminum extruded body.
- Hardened and ground integral gear shaft.
- Special aluminum alloy bush bearing.
- Axially balanced for high volumetric efficiency in excess of 95%.
- 12 teeth design with modified profile for low noise.
- Viscosity range of fluid medium : 10~300cSt.



Specifications

Model Numbers	Geometric Displacement cm ³ /rev.	Maximum Pressure Kgf/cm ²		Shaft Speed Range r/min.		Mass (Kg.) (Approx.)
		Continuous	Intermittent	Max.	Min.	
PG1-066	6.6	200	225	3500	600	3.30
PG1-084	8.4					3.40
PG1-093	9.3					3.50
PG1-109	10.9			3000	500	3.60
PG1-120	12.0					3.70
PG1-133	13.3	190	215	2500	500	3.80
PG1-166	16.6	180	205			4.00
PG1-186	18.6					
PG1-226	22.6	170	195			
PG1-267	26.7	140	160			

Graphic Symbol



Model Number Designation

PG1	-066	-P	-1	-P	-B	-R	-20	80
Series	Size	Shaft	Mounting	Port	Driven Shaft Seal	Direction of Rotation (Viewed from Shaft End)	Design Number	Design Std.
PG1	066	P: Straight with Snap ring T: Taper shaft * U: SAE Spline * 9T 16/32 DP G: Tang Shaft	1: SAE 'A' -2 Bolt	P: BSPF Port S: SAE Port F4: Flange Port 4 Holes	B: Nitrile V: Viton *	R: Clockwise L: Counter Clockwise	20	80
	084							
	093							
	109							
	120							
	133							
	166							
	186							
	226							
267								

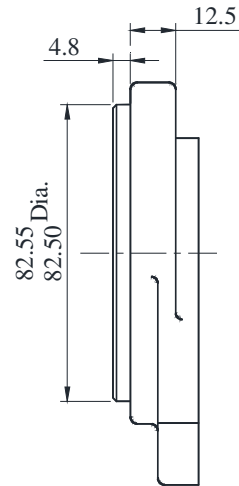
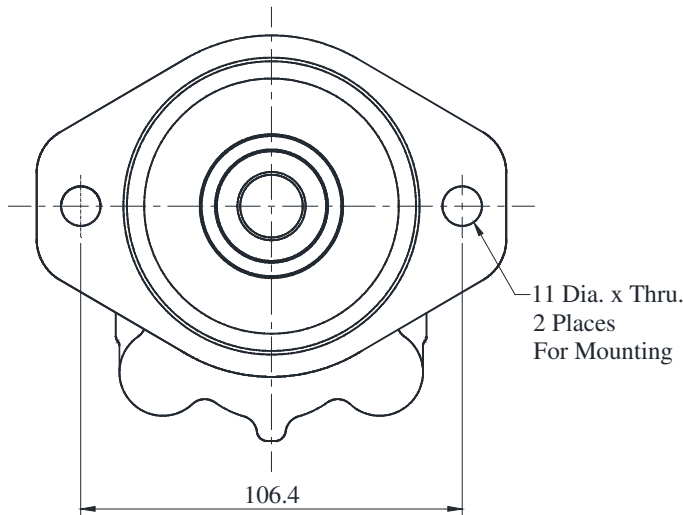
* Consult factory for availability.

● **Mounting Details**

DIMENSIONS IN MILLIMETRES

SAE 'A' - 2 Bolt

Option-1
(For 2080)

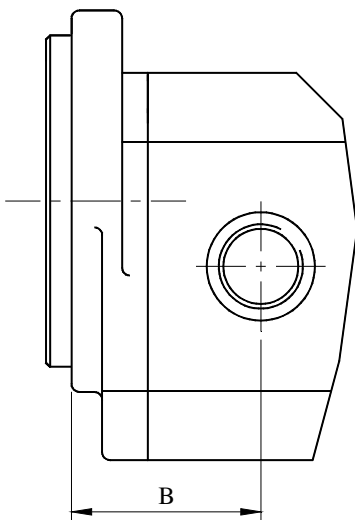


Seals

B: Nitrile (Temp. range:- 15°C + 80°C)

V: Viton (Temp. range:- 10°C + 140°C)

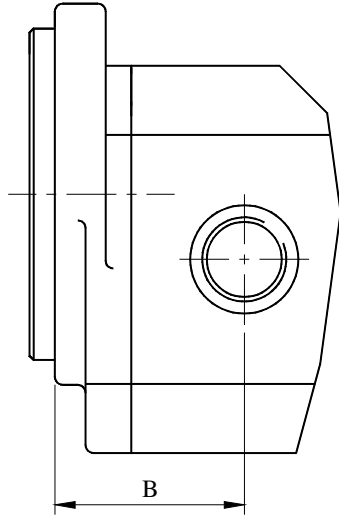
● **P : BSP Port**



Model Numbers	BSP.F Port Thd.		A	B
	INLET	OUTLET		
PG1 - 066	1/2	1/2	90.8	44.4
PG1 - 084	1/2	1/2	94.3	46.2
PG1 - 093	1/2	1/2	96.0	47.0
PG1 - 109	1/2	1/2	99.1	48.6
PG1 - 120	3/4	3/4	101.2	49.6
PG1 - 133	3/4	3/4	103.7	50.9
PG1 - 166	3/4	3/4	110.2	54.1
PG1 - 186	3/4	3/4	113.9	56.0
PG1 - 226	3/4	3/4	121.6	59.8
PG1 - 267	3/4	3/4	129.6	63.8

● S : SAE Port

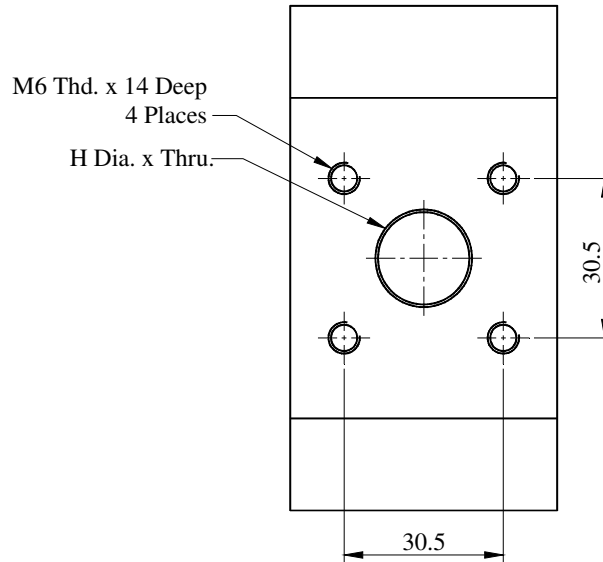
DIMENSIONS IN MILLIMETRES



Model Numbers	SAE Port Thd.		A	B
	INLET	OUTLET		
PG1 - 066	1-1/16"-12	7/8"-14	90.8	44.4
PG1 - 084	1-1/16"-12	7/8"-14	94.3	46.2
PG1 - 093	1-1/16"-12	7/8"-14	96.0	47.0
PG1 - 109	1-1/16"-12	7/8"-14	99.1	48.6
PG1 - 120	1-1/16"-12	7/8"-14	101.2	49.6
PG1 - 133	1-5/16"-12	1-1/16"-12	103.7	50.9
PG1 - 166	1-5/16"-12	1-1/16"-12	110.2	54.1
PG1 - 186	1-5/16"-12	1-1/16"-12	113.9	56.0
PG1 - 226	1-5/16"-12	1-1/16"-12	121.6	59.8
PG1 - 267	1-5/16"-12	1-1/16"-12	129.6	63.8

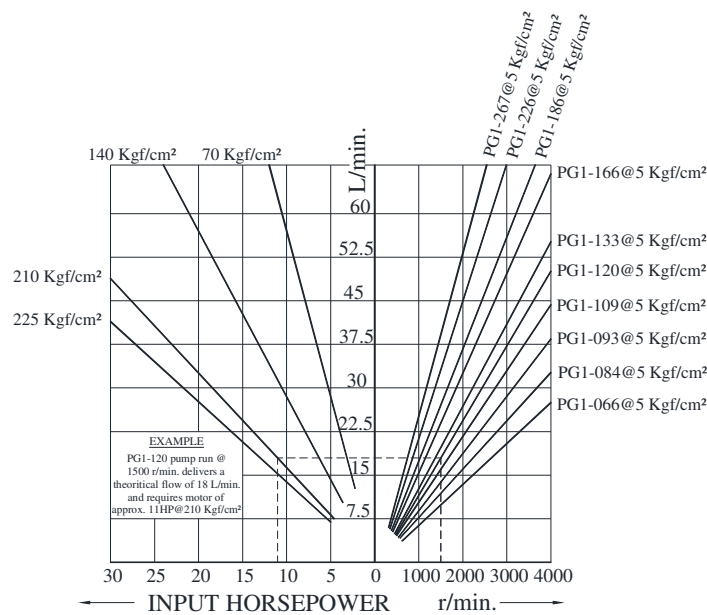
● F4 : Flange Port - 4 Holes

INLET & OUTLET PORTS ARE IDENTICAL



H Dia. = 17.5 For PG1 - 066 to 120
 H Dia. = 20 For PG1 - 133 to 267

■ Performance Characteristics



Note : These high pressure pumps are not recommended for delivery pressure below 5 Kgf/cm².

■ **Spare Parts List**

● **List of Seals**

Sl No.	Name of Parts	Part Numbers		Qty.
		Nitrile	Viton	
1	Body End Seal	B200 01 11	PG1 01 22	2
2	Oil Seal	ISD 17307	B200 01 17	1

Note: When ordering the seals, please specify the seal kit number
 KS-PG1-B for Nitrile
 KS-PG1-V for Viton