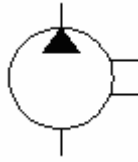


PG3-Series Gear Single Pump



Graphic Symbol



Ratings:-

Model Number	Geometric Displacement	Flow Rate At 1500 rev/min	Max. pressure	Shaft Speed range (rpm)		Approx. Weight
	cm ³ /rev	LPM	Bar	Min	Max	KG
PG3-330	33.0	49.5	210	750	3000	18.5
PG3-370	37.0	55.5	210	750	3000	20.0
PG3-400	40.0	60.0	210	650	2750	22.5
PG3-440	44.0	66.0	210	650	2500	24.0
PG3-525	52.5	79.0	210	650	2500	26.5

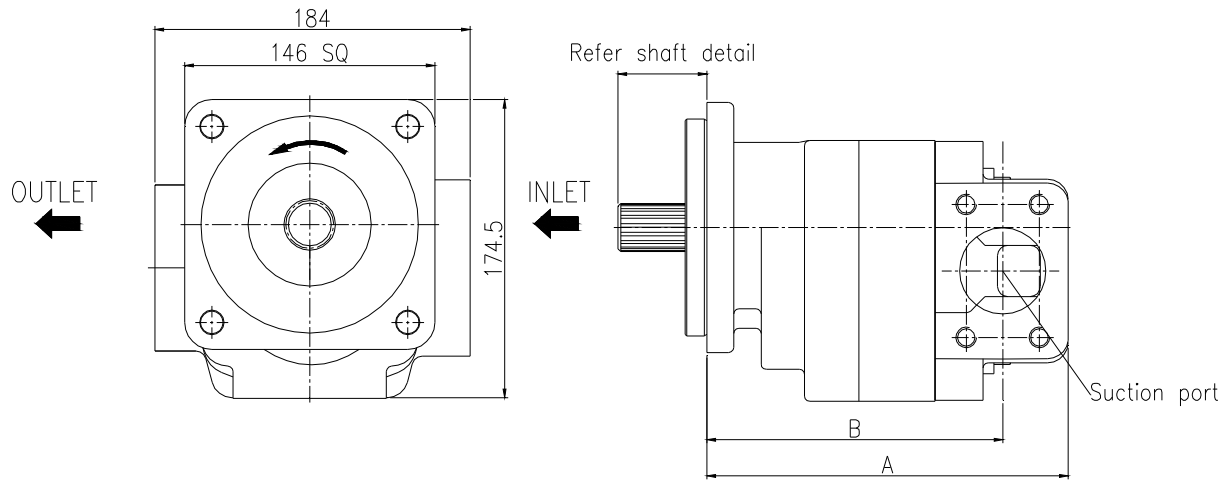
Model Number Designation

Series	Size	Shaft	Mounting Flange	Port	Drive Shaft Seal	Direction of Rotation Viewed From Shaft End	Design Std & Design No
PG3	330	U1:17 Teeth Spline	3: SAE'C'-4 Bolt	F: Suction port Flange type, Delivery port Flange type	B: Single Nitrile V: Single Viton	R: Clockwise L: Counter clockwise	10: Design no 90: Design std
	370	U2:S.A.E."B-B" Spline.					
	400						
	440	S: S.A.E."B-B" Parallel					
	525						

Example:-PG3-400-U2-3-F-B-R-1090: 400: 40.0cc/rev, U2:15 Teeth Spline, 3: SAE'C' 4-Bolt, F: Flange type suction & delivery port: V: Single Viton, R: Clockwise, 10: Design no., 90: Design Std.

General Arrangement

SAE-C 4Bolt Mounting:

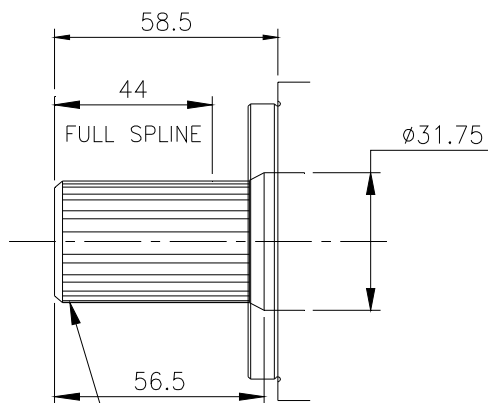


ALL DIMENSIONS ARE IN MM

Model number	A	B
PG3-330-**-3-F-**-1090	184.0	147.7
PG3-370-**-3-F-**-1090	186.8	150.5
PG3-400-**-3-F-**-1090	189.0	152.7
PG3-440-**-3-F-**-1090	191.7	155.4
PG3-525-**-3-F-**-1090	195.4	159.1

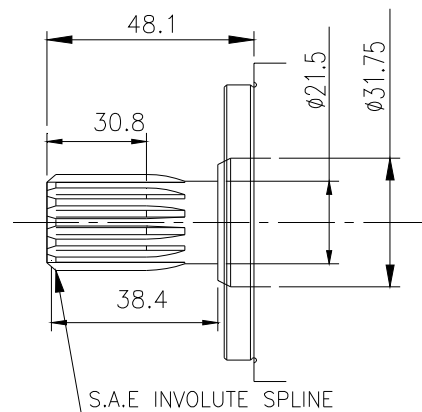
Shaft

Spline Shaft: U1



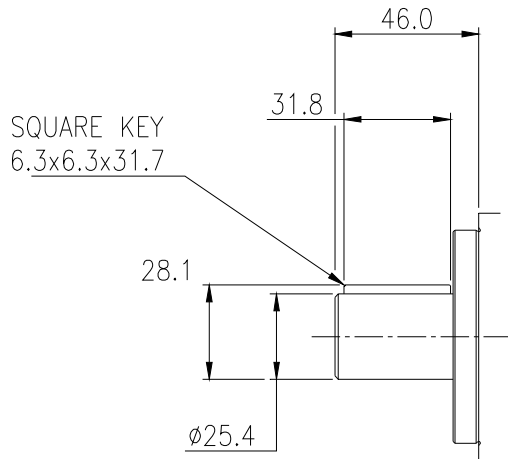
S.A.E INVOLUTE SPLINE
 FLAT ROOT SIDE FIT
 17 TEETH - 16/32 PITCH
 MAJOR DIA: 28.03 - 28.16
 MINOR DIA: 24.98 MAX.

Spline Shaft: U2

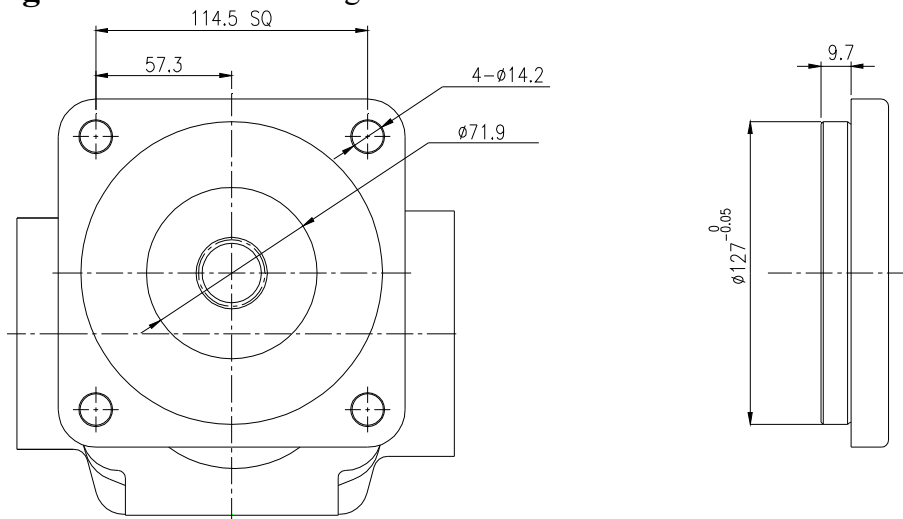


S.A.E INVOLUTE SPLINE
 FLAT ROOT SIDE FIT
 15 TEETH - 16/32 PITCH
 MAJOR DIA: 24.87~24.97
 MINOR DIA: 21.793 MAX.

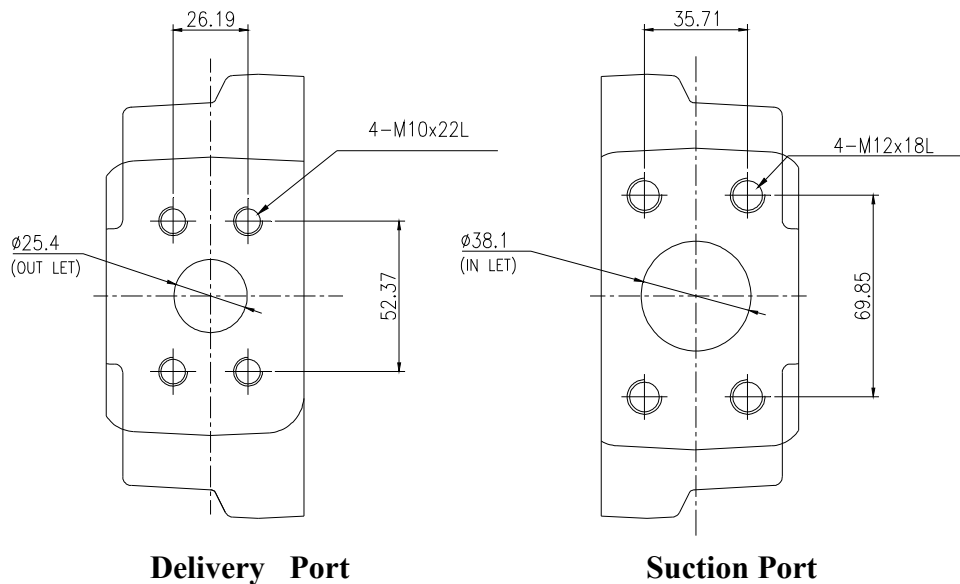
Straight Shaft: S.A.E."B-B"Parallel



Flange: SAE 'C'-4 Bolt Flange



Ports:



Seals: Nitrile (Temp.range: -60° F+175° F), Viton (Temp.range: -50°F+285° F).

Performance chart:-

