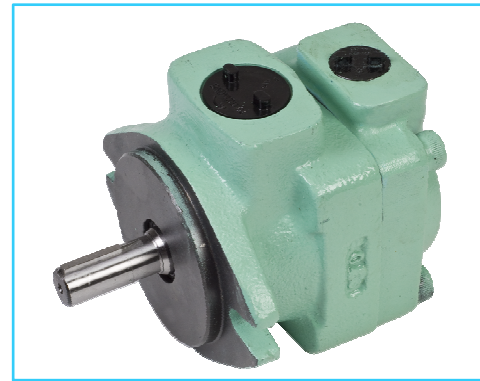
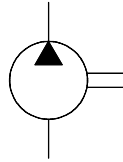


**■ PVR1T Series Single Vane Pumps**

These Pumps are widely used as a source of hydraulic power. They combine stable performance and robust construction with a wide range of delivery rates.

Graphic Symbol



**■ Specifications**

Model Number	Geometric Displacement cm <sup>3</sup> /rev.	Max. Opr. Pressure Kgf/cm <sup>2</sup>	Output Flow and Input Power	Shaft Speed Range r/min.		Mass (Approx.) Kg.	
				Max.	Min.	Flange Mounting	Foot Mounting
PVR1T - 4	3.5	175	Refer to Page 122 & 123	1800	750	5.8	7.5
PVR1T - 6	5.5						
PVR1T - 8	7.8						
PVR1T - 10	8.7						
PVR1T - 12	11.5						
PVR1T - 15	13.8						
PVR1T - 17	14					6.2	8.0
PVR1T - 31	22.0						

**■ Model Number Designation**

F	- PVR1T	- 4	- L	- R	A	-20	80
Special Seals	Series	Nominal Displacement	Mounting	Direction of Rotation As Viewed From Shaft End	Discharge	Design * Number	Design Standard
<b>F:</b> For Phosphate Ester Type Fluids (Omit if not required)	<b>PVR1T</b>	<b>4, 6, 8, 10, 12, 15, 17</b>	<b>L:</b> Foot Type <b>F:</b> Flange Type	<b>R:</b> Clock wise (Normal) <b>L:</b> Counter Clockwise	(See Drawing) <b>A :</b> Normal (Upwards) <b>B :</b> Bottom <b>R :</b> Right <b>L :</b> Left	<b>20</b>	<b>80</b>
		<b>31</b>					<b>80H10</b>

\* Design numbers subject to change from 20 to 29, but installation dimensions remain as shown.

\* For instructions regarding changing the port positions, consult YUKEN INDIA LTD.

**■ Cartridge Kit Model Number**

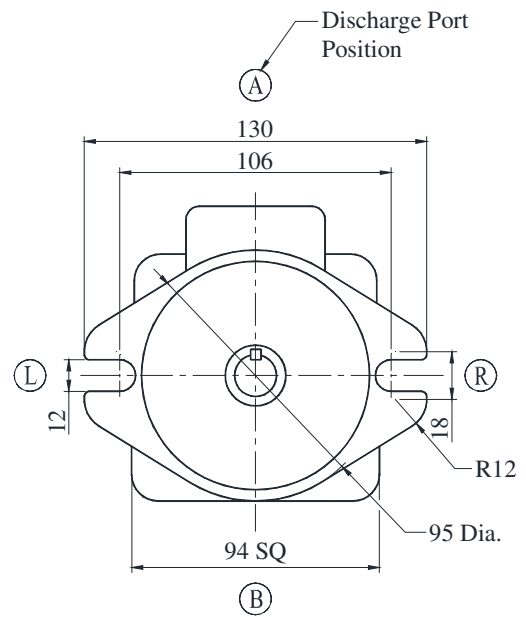
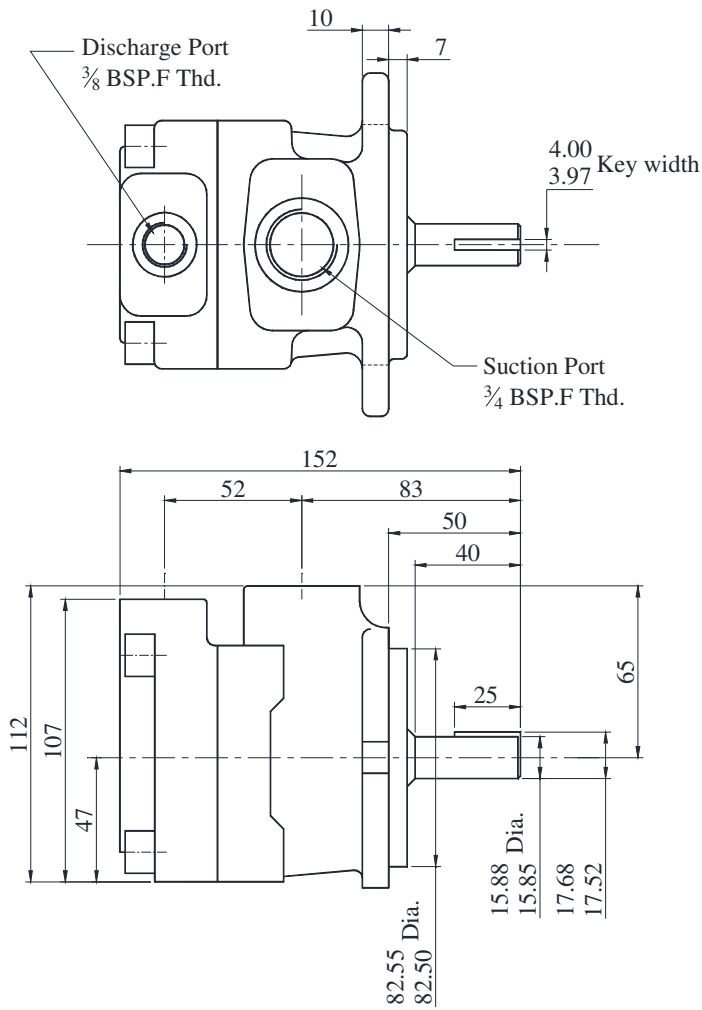
CPVR1T	-4	-R	-20
Model Number	Nominal Displacement	Shaft Rotation	Design No.
<b>CPVR1T</b>	<b>4</b>	<b>R:</b> Clockwise (Normal)	<b>20</b>
	<b>6</b>		
	<b>8</b>		
	<b>10</b>		
	<b>12</b>	<b>L:</b> Counter-Clockwise	
	<b>15</b>		
	<b>17</b>		
<b>31</b>			

\* For instructions regarding replacing cartridge kit, consult YUKEN INDIA LTD.

**PVR1T-※-F-※※-2080**

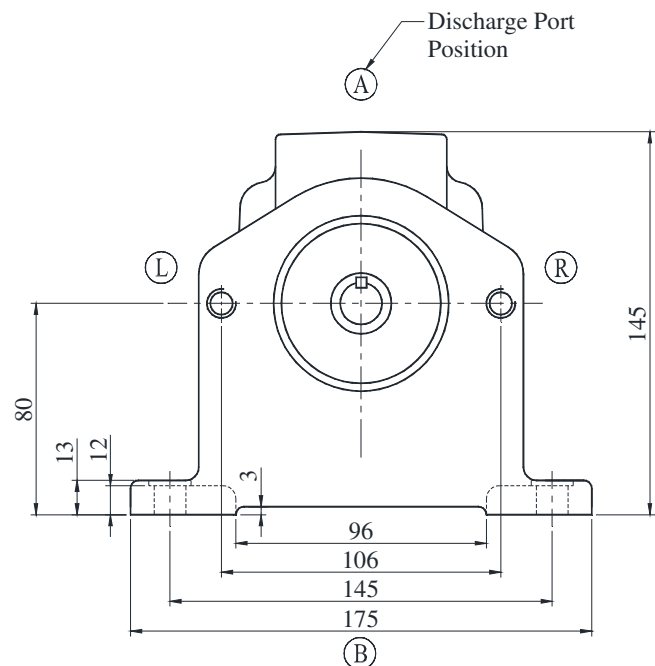
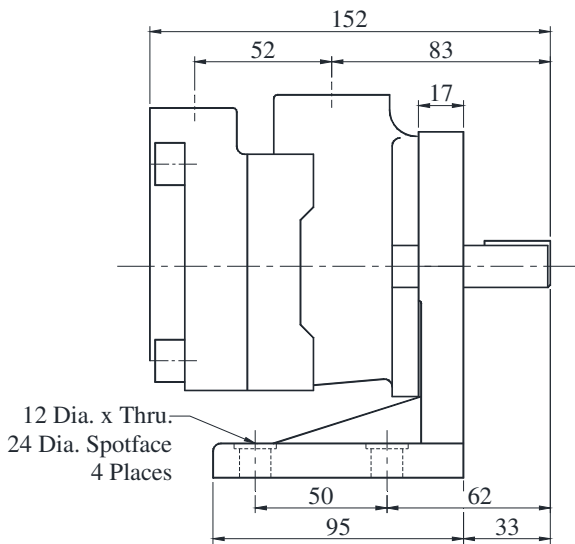
**DIMENSIONS IN MILLIMETRES**

● **Flange Mounting**



**PVR1T-※-L-※※-2080**

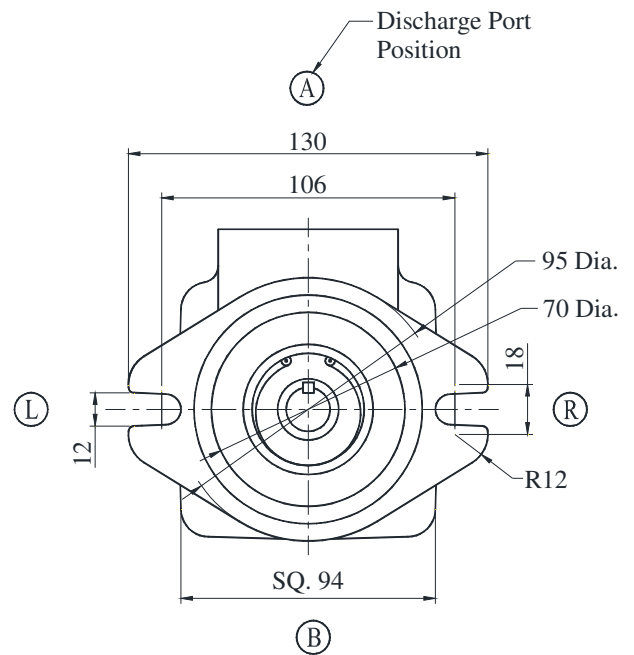
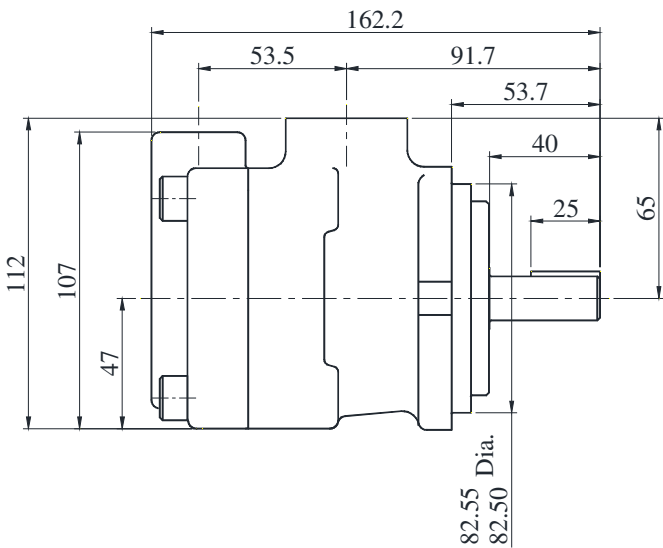
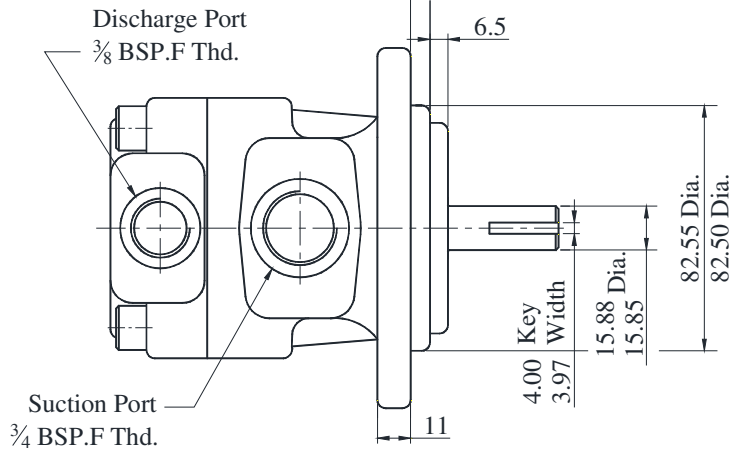
● **Foot Mounting**



**PVR1T-31-F-※※-2080H10**

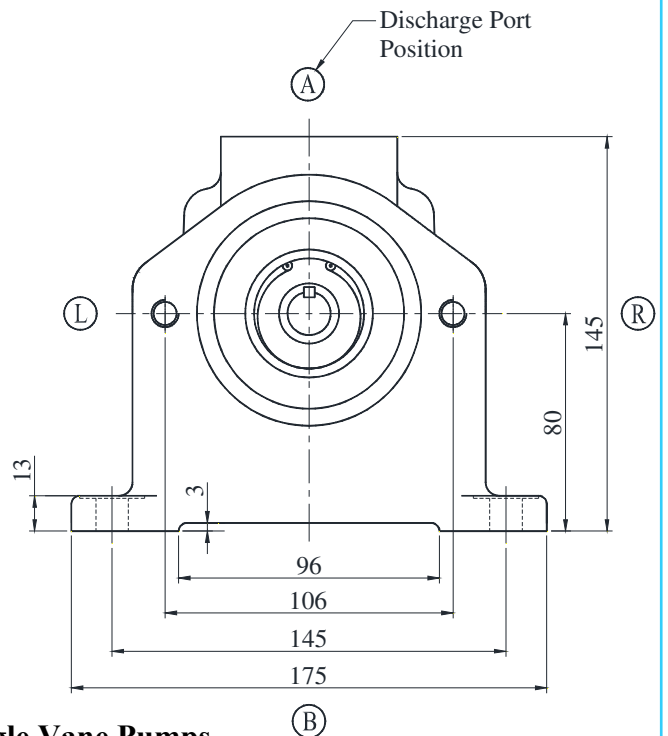
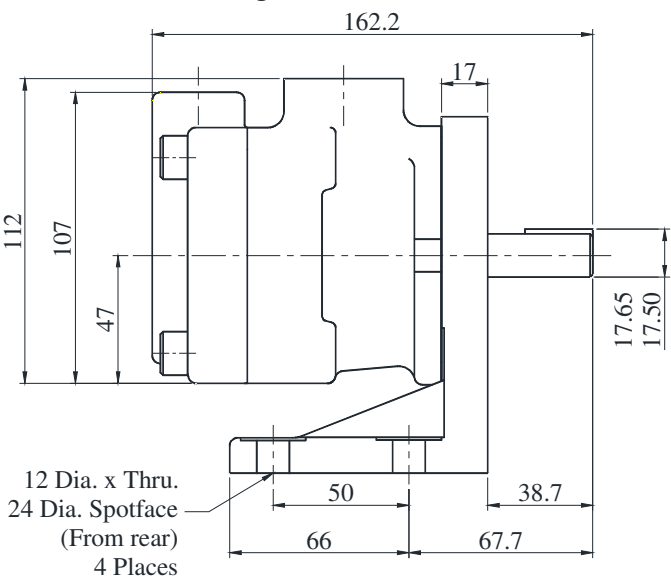
**DIMENSIONS IN MILLIMETRES**

● **Flange Mounting**



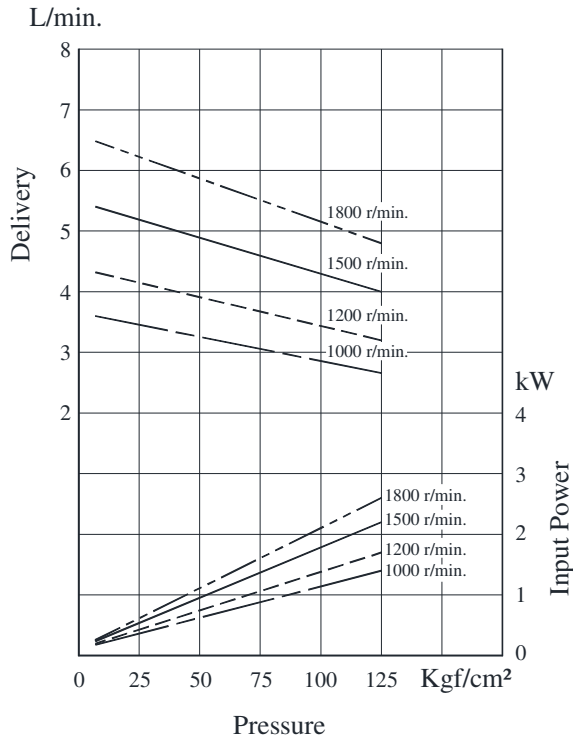
**PVR1T-31-L-※※-2080H10**

● **Foot Mounting**

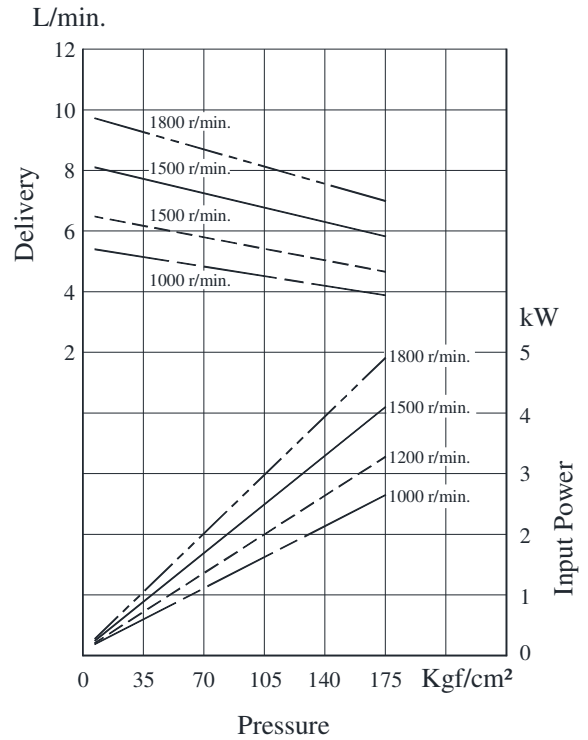


Typical Pump Characteristics Oil Viscosity 20 cSt [ISO VG 32, Temp 50<sup>0</sup> C]

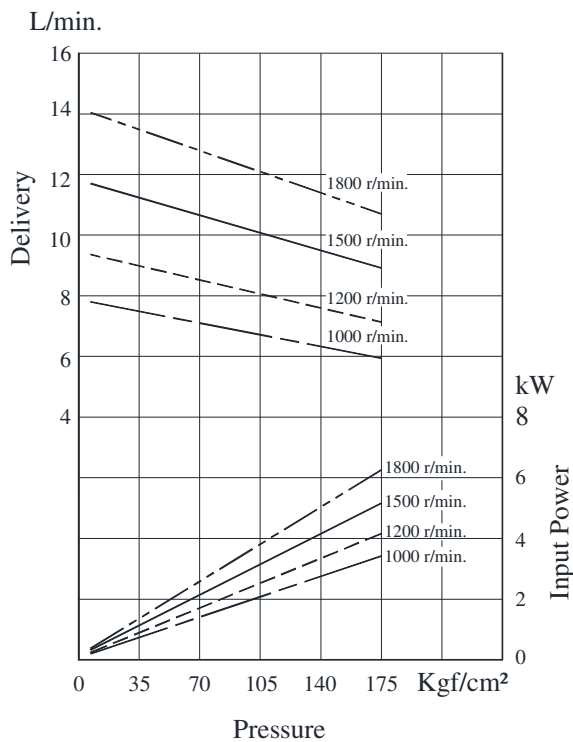
● **PVR1T - 4**



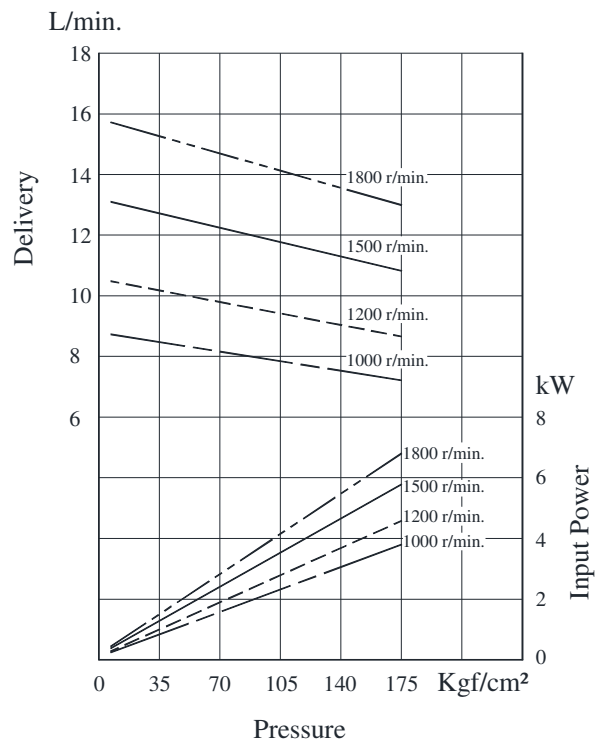
● **PVR1T - 6**



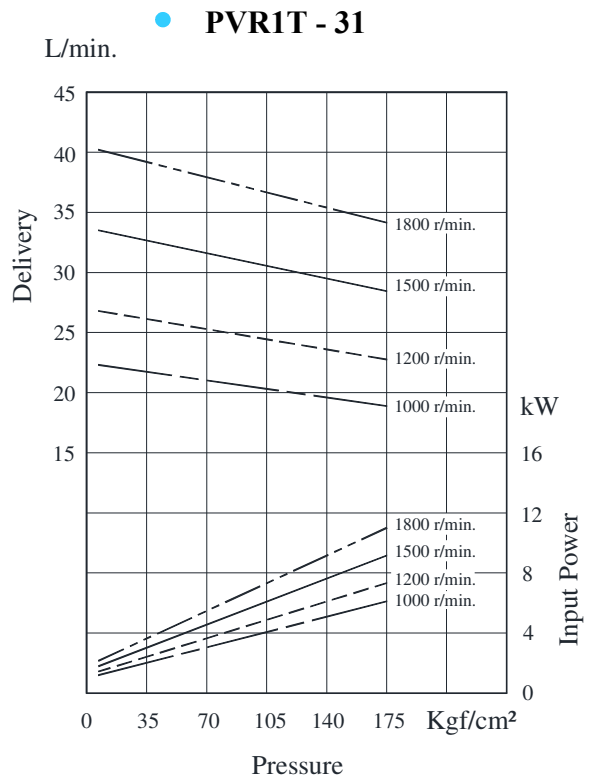
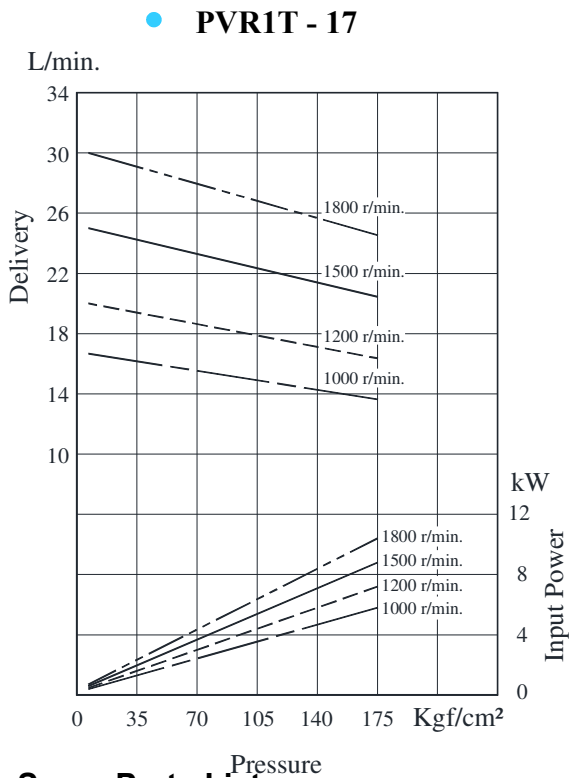
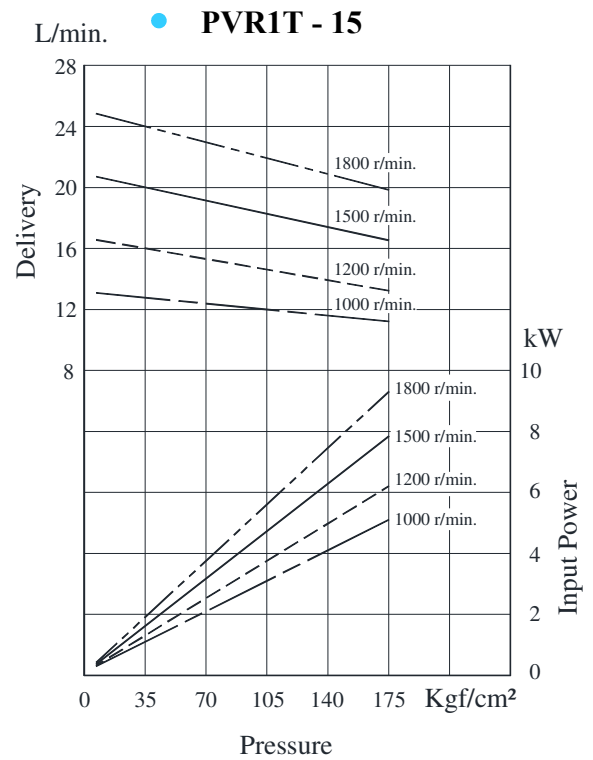
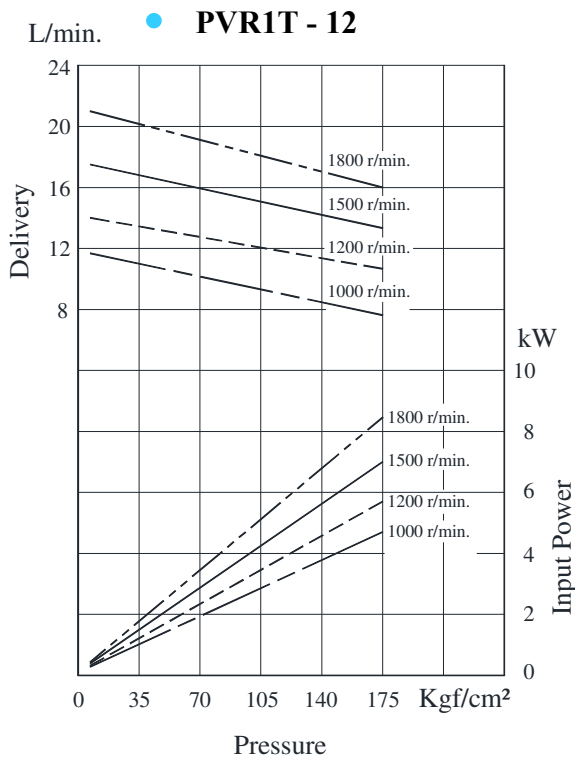
● **PVR1T - 8**



● **PVR1T - 10**



Typical Pump Characteristics Oil Viscosity 20 cSt [ISO VG 32, Temp 50° C]



**Spare Parts List**

● List of Seals

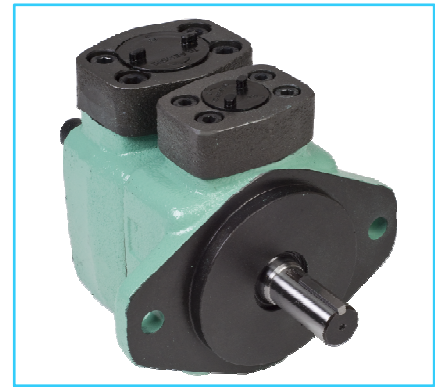
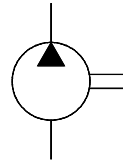
Sl. No.	Name of Parts	Part No.	Qty.
1.	O-Ring	SO-NB-G80	1
2.	O-Ring	SO-NB-G60	1
3.	O-Ring	SO-NB-G35	1
4.	Oil seal	ISD 20307	1

Note : When ordering the seals, please specify the seal kit number KS-PVR1T-2080.

**PVR50 Series Single Vane Pumps**

These pumps are widely used as a source of hydraulic power. They combine stable Performance and robust construction with a wide range of delivery rates.

Graphic Symbol



**Specifications**

Model Number	Geometric Displacement cm <sup>3</sup> /rev.	Max. Opr. Pressure Kgf/cm <sup>2</sup>	Output Flow and Input Power	Shaft Speed Range r/min.		Mass (Approx.) Kg.	
				Max.	Min.	Flange Mounting	Foot Mounting
PVR50-13	10.5	175	Ref. Page 126, 127 & 128	1800	600	12	14.7
PVR50-20	16.0						
PVR50-26	21.5						
PVR50-30	24.0						
PVR50-36	29.5						
PVR50-39	31.5						
PVR50-45	35.5						
PVR50-51	41.0						
PVR50-56	45.0						

**Model Number Designation**

F-	PVR50	-L	-F	-13	-	-R	A	A	-31	80
Special Seals	Series Number	Type of Mounting	Type of Pipe Connection	Nominal Displacement	Shaft Type	Direction of Rotation	Discharge Port Position	Suction Port Position	Design *	Design Standard
As Viewed From Shaft End										
<b>F:</b> For Phosphate Ester Type Fluids (Omit if not required)	<b>PVR50</b>	<b>L:</b> Foot Type  <b>F:</b> Flange Type	<b>F:</b> Flange Connection  <b>T:</b> Threaded	<b>13</b> <b>20</b> <b>26</b> <b>30</b> <b>36</b> <b>39</b> <b>45</b> <b>51</b> <b>56</b>	<b>None:</b> Std. Shaft.  <b>1:</b> Special Shaft (For 51 & 56 Capacity Only)	<b>R:</b> Clockwise (Normal)  <b>L:</b> Counter Clockwise	(See Drawing) <b>A:</b> Normal (Upward) <b>B:</b> Bottom <b>R:</b> Right <b>L:</b> Left	(See Drawing) <b>A:</b> Normal (Upward) <b>B:</b> Bottom <b>R:</b> Right <b>L:</b> Left	<b>31</b>	<b>80</b>

\* Design numbers subject to change from 30 to 39, but installation dimensions remain as shown.

\* For instructions regarding changing the port positions, consult YUKEN INDIA LTD.

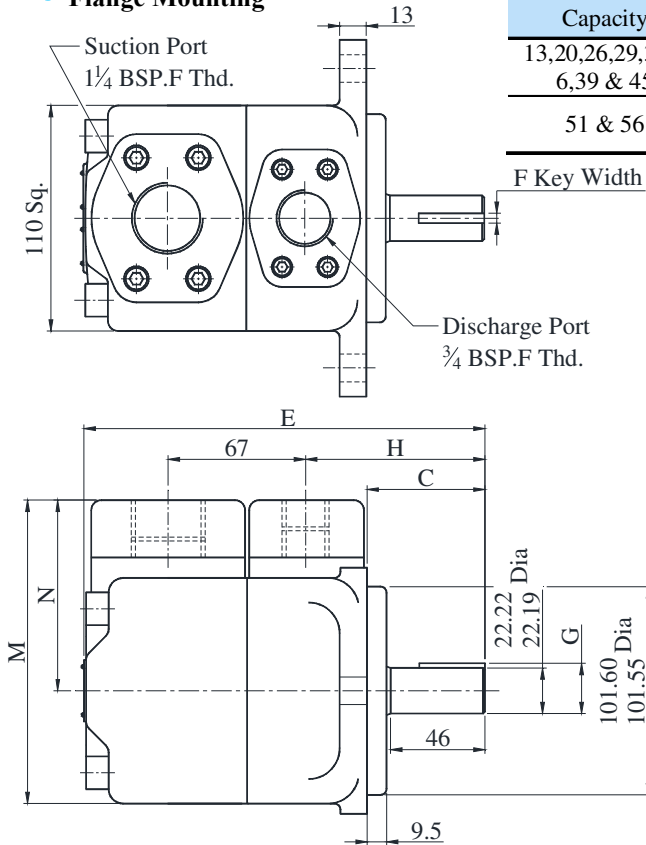
**Cartridge Kit Model Number**

CPVR50	-13	-R	-31
Model Number	Nominal Displacement	Shaft Rotation	Design No.
<b>CPVR50</b>	<b>13</b>	<b>R:</b> Clockwise (Normal)	<b>31</b>
	<b>20</b>		
	<b>26</b>		
	<b>30</b>		
	<b>36</b>	<b>L:</b> Counter-Clockwise	
	<b>39</b>		
	<b>45</b>		
	<b>51</b>		
<b>56</b>			

\* For instructions regarding replacing cartridge kit, consult YUKEN INDIA LTD.

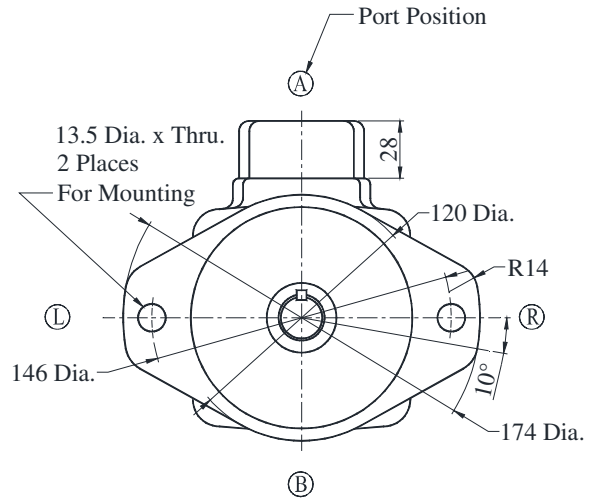
**PVR50-F-※-※-※※※-3180**

● **Flange Mounting**



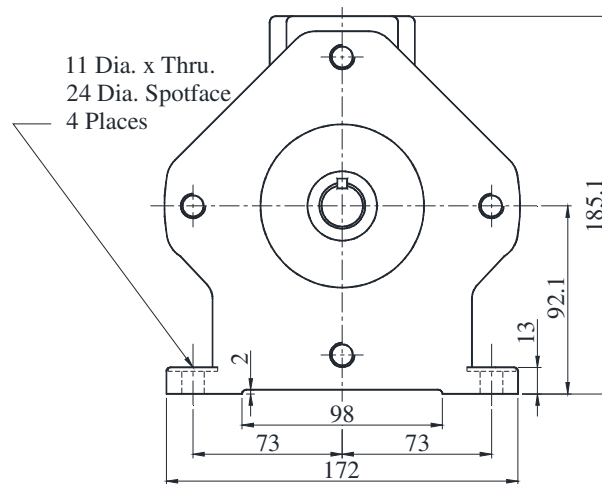
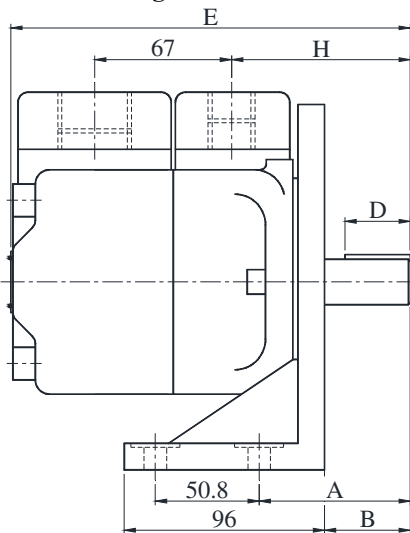
Capacity	A	B	C	D	E	F	G	H
13,20,26,29,30,3 6,39 & 45	74	42	59	32	197	4.79 4.76	24.500 24.330	87.5
51 & 56	86.4	54.4	71.4	38	209.4	6.38 6.35	24.925 24.774	100

Model	M	N
PVR50-※-F-	148	93
PVR50-※-T-	136	81



**PVR50-L-※-※-※※※-3180**

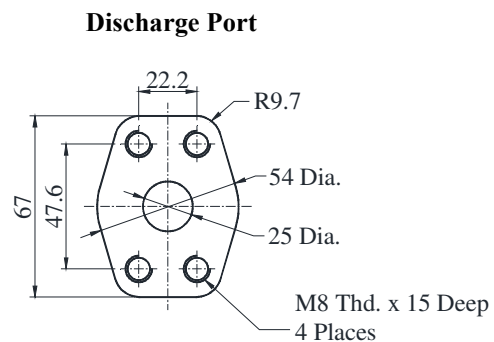
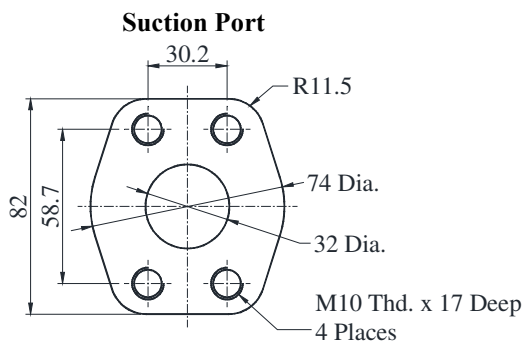
● **Foot Mounting**



**DIMENSIONS IN MILLIMETRES**

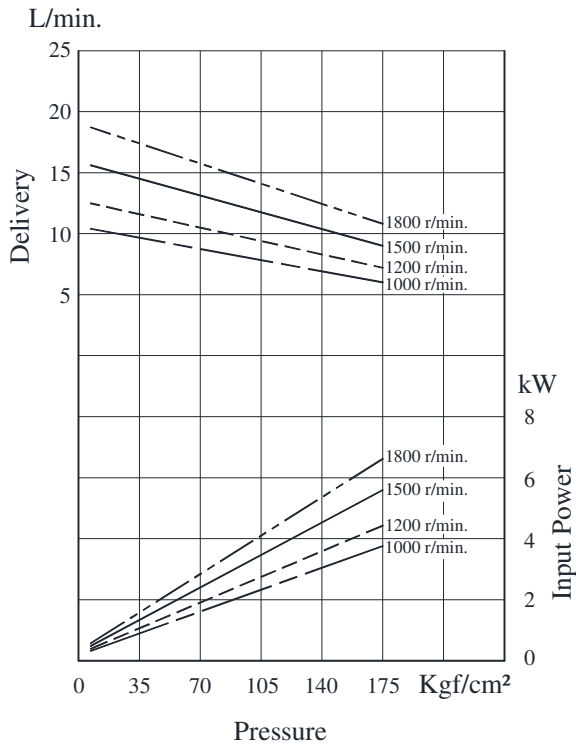
For Other Dimensions see Flange Mounting.

**For Reference: Dimensions of Pipe Flange Mounting Surfaces**

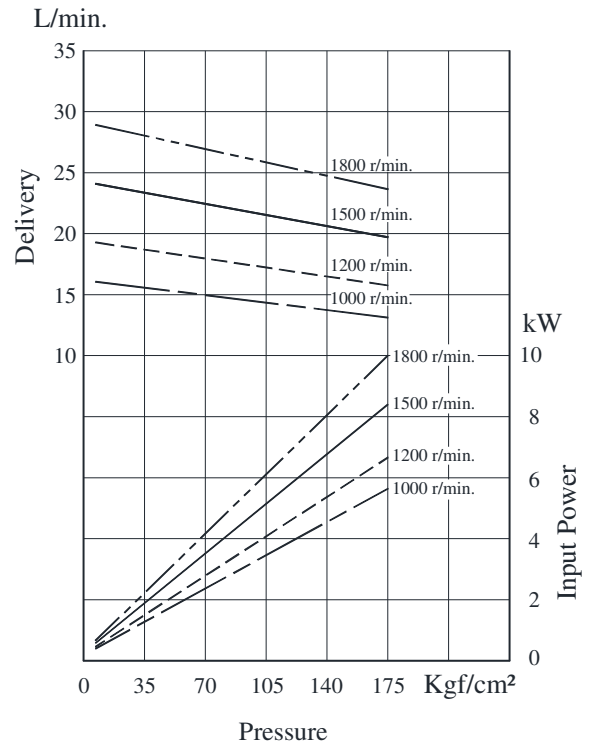


Typical Pump Characteristics Oil Viscosity 20 cSt [ISO VG 32, Temp 50<sup>0</sup> C]

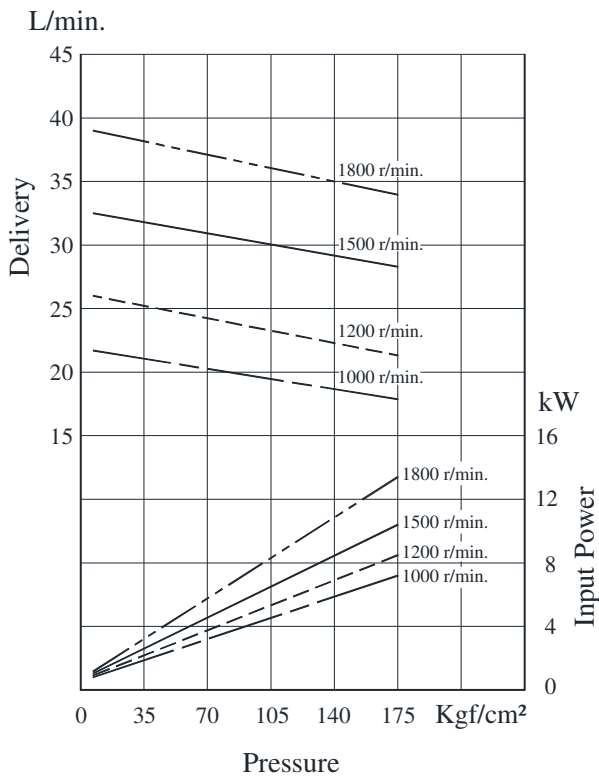
● **PVR50 - 13**



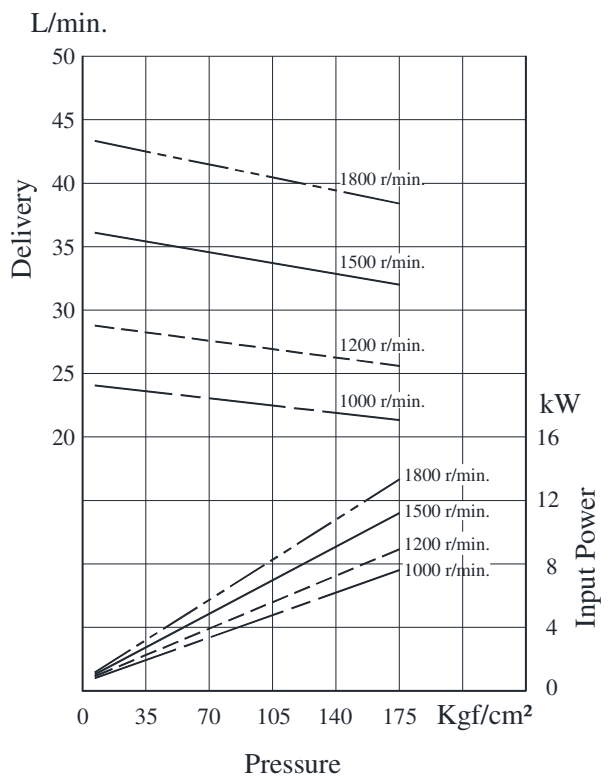
● **PVR50 - 20**



● **PVR50 - 26**



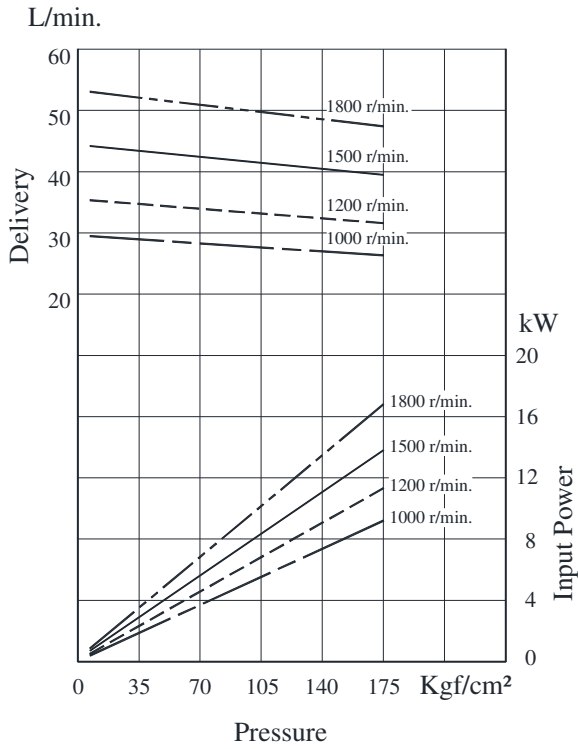
● **PVR50 - 30**



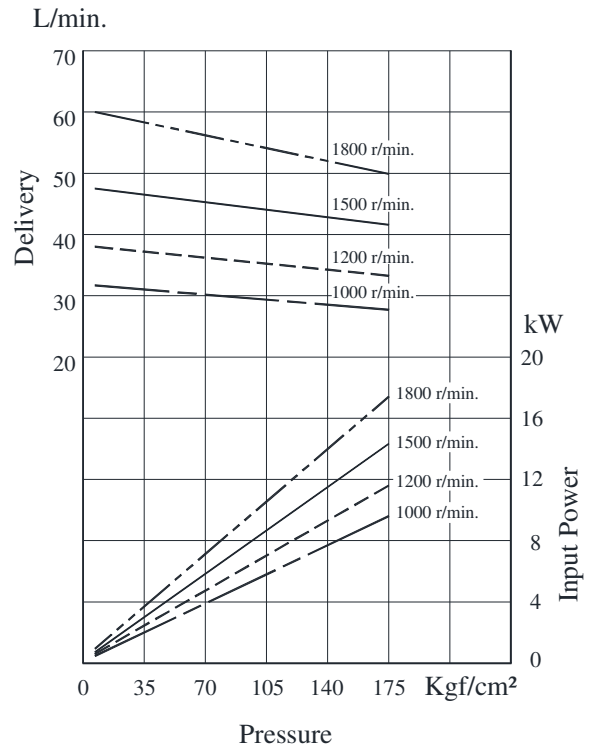


Typical Pump Characteristics Oil Viscosity 20 cSt [ISO VG 32, Temp 50° C]

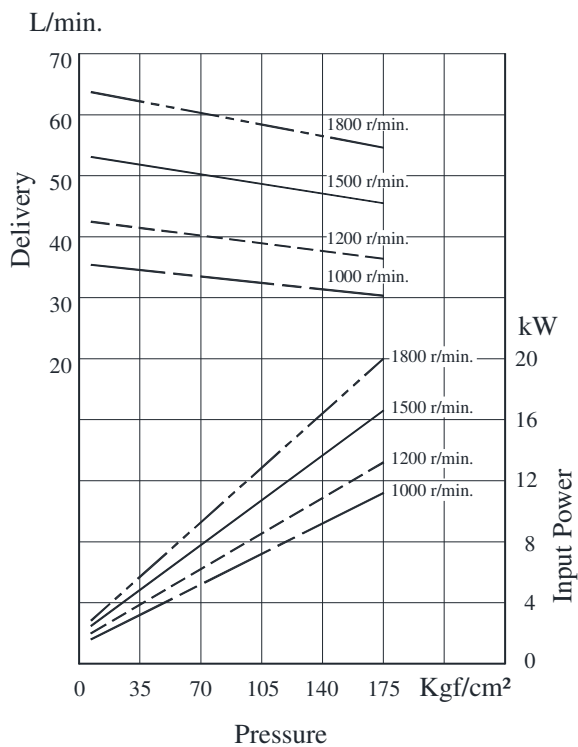
● **PVR50 - 36**



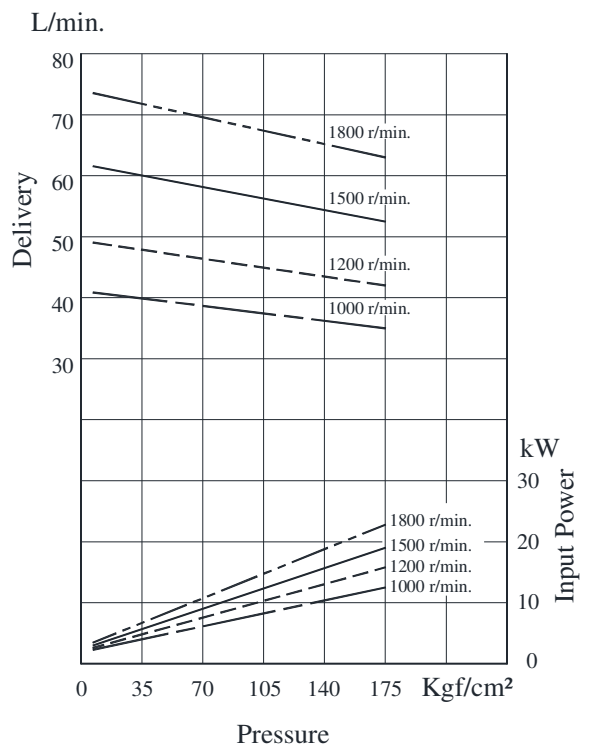
● **PVR50 - 39**



● **PVR50 - 45**

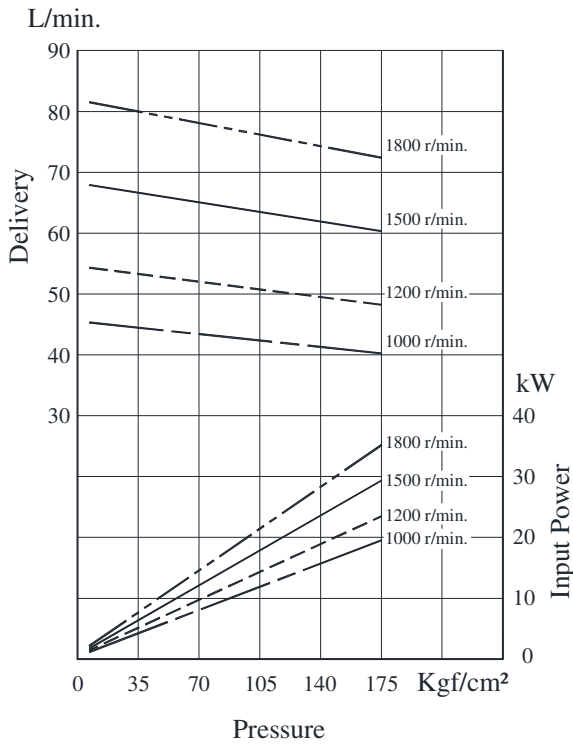


● **PVR50 - 51**



Typical Pump Characteristics Oil Viscosity 20 cSt [ISO VG 32, Temp 50<sup>0</sup> C]

● **PVR50 - 56**



■ **Flanges**

Note: Please refer page no. 747 for flange details.

■ **Spare Parts List**

● **List of Seals**

Sl. No.	Name of Part	Part Number	Qty.
1	O-Ring	SO-NA-G80	1
2	O-Ring	SO-NA-P41	1
3	O-Ring	SO-NB-G85	1
4	Backup-Ring	SO-BB-G80	1
5	Backup-Ring	SO-BB-P41	1
6	Oil Seal	ISPD 25388	1

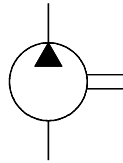
Note: When ordering the seals, please specify the seal kit number KS-PVR50-3180.

**PVR 150-Series Single Vane Pumps**

These pumps are widely used as a source of hydraulic power. They combine stable performance and robust construction with a wide range of delivery rates.



Graphic Symbol



**Specifications**

Model Number	Geometric Displacement cm <sup>3</sup> /rev.	Max. Opr. Pressure Kgf/cm <sup>2</sup>	Output Flow and Input Power	Shaft Speed Range r/min.		Mass (Approx.) Kg.	
				Max.	Min.	Flange Mounting	Foot Mounting
PVR150 – 60	47	175	Refer Page 131 & 132	1800*	600	29.3	35.9
PVR150 – 70	57						
PVR150 – 90	75						
PVR150 – 110	92						
PVR150 – 140	115						
PVR150 – 170	135						

\* For speeds above 1500 r/min., consult factory for information.

**Model Number Designation**

F-	PVR150	-L	-F	-60	-R	A	A	34	80	
Special Seals	Series Number	Type of Mounting	Type of pipe Connection	Normal Displacement	Direction of Rotation	Discharge Port Position	Suction Port Position	Design *	Design Standard	
As Viewed From Shaft End										
<b>F:</b> For Phosphate Ester Type Fluids (Omit if not required)	<b>PVR150</b>	<b>L:</b> Foot Type	<b>F:</b> Flange Connection	<b>60</b>	<b>R:</b> Clockwise (Normal)	(See Drawing)	(See Drawing)	<b>34</b>	<b>80</b>	
		<b>F:</b> Flange Type		<b>70</b>		<b>L:</b> Counter Clockwise	<b>A :</b> Normal (Upwards)			<b>A :</b> Normal (Upwards)
				<b>90</b>			<b>B :</b> Bottom			<b>B :</b> Bottom
				<b>110</b>	<b>R :</b> Right		<b>R :</b> Right			
		<b>140</b>			<b>L :</b> Left	<b>L :</b> Left				
		<b>170</b>								

\* Design numbers subject to change from 30 to 39, but installation dimensions remain as shown.

\* For instructions regarding changing the port positions, consult YUKEN INDIA LTD.

**Cartridge Kit Model Number**

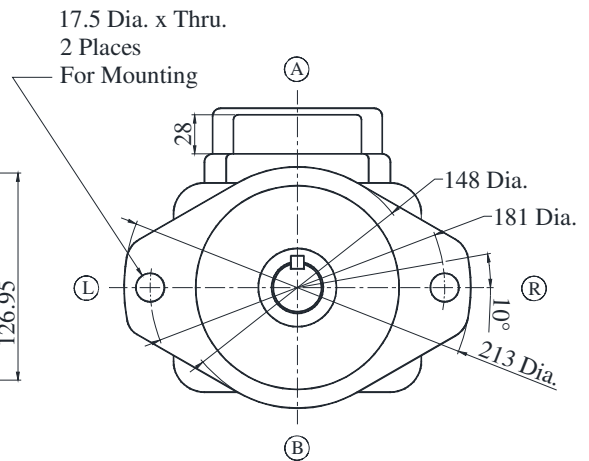
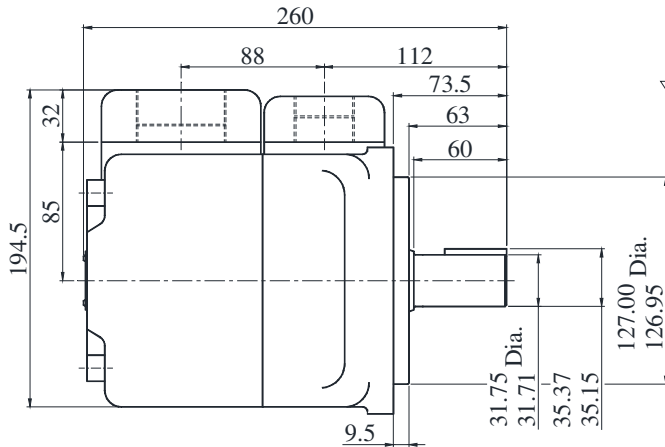
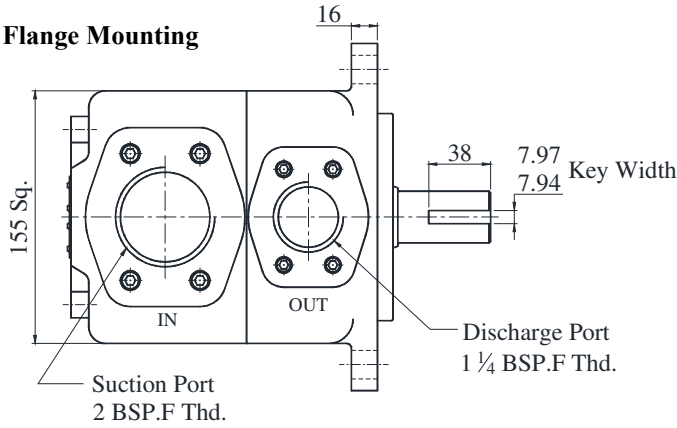
CPVR150	-60	-R	-33
Model Number	Nominal Displacement	Shaft Rotation	Design No.
<b>CPVR150</b>	<b>60</b>	<b>R:</b> Clockwise (Normal)	<b>33</b>
	<b>70</b>		
	<b>90</b>		
	<b>110</b>	<b>L:</b> Counter-Clockwise	
	<b>140</b>		
<b>170</b>			

\* For instructions regarding replacing cartridge kit, consult YUKEN INDIA LTD.

**PVR150-F-F-※-※※※-3480**

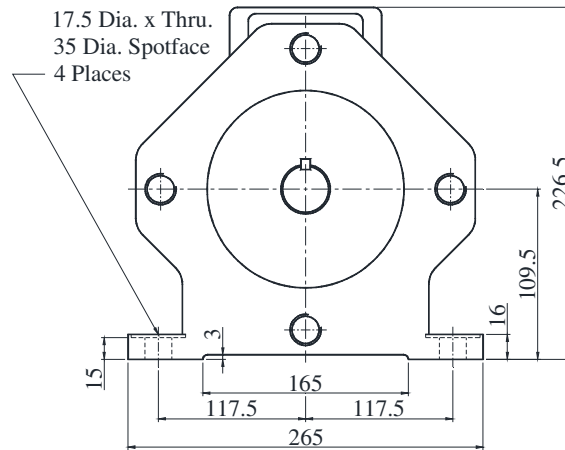
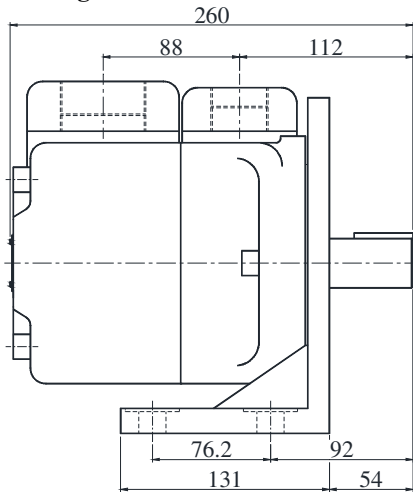
**DIMENSIONS IN MILLIMETRES**

● **Flange Mounting**



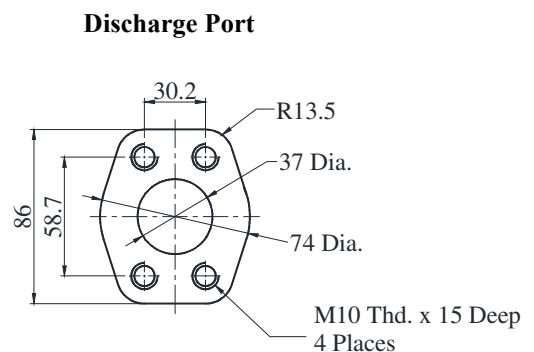
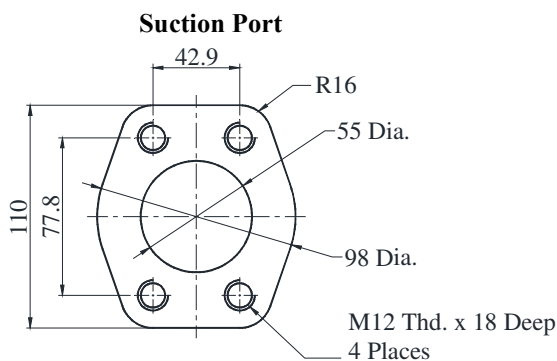
**PVR150-L-F-※-※※※-3480**

● **Foot Mounting**



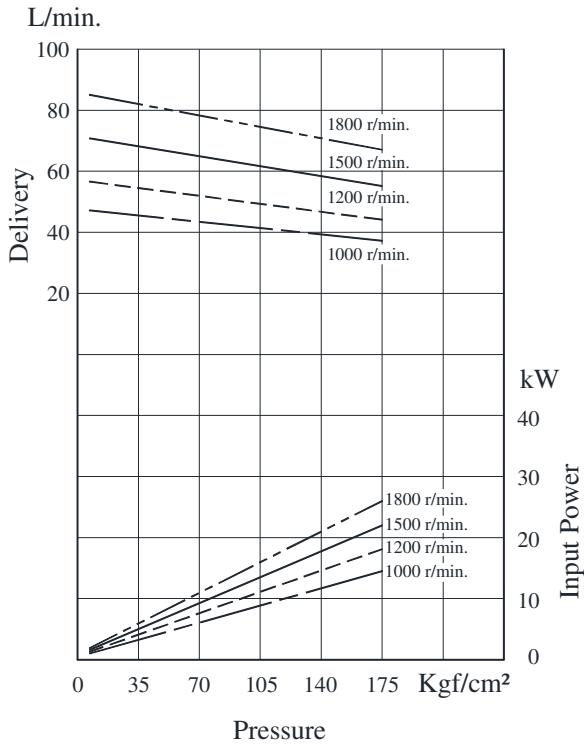
For other Dimensions See Flange Mounting

**For Reference : Dimensions of Pipe Flange Mounting Surfaces**

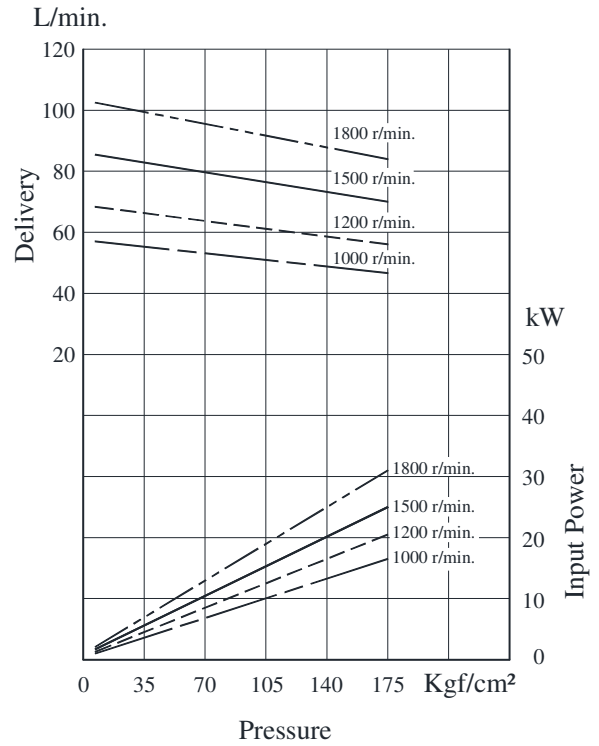


Typical Pump Characteristics Oil Viscosity 20 cSt [ISO VG 32, Temp 50<sup>0</sup> C]

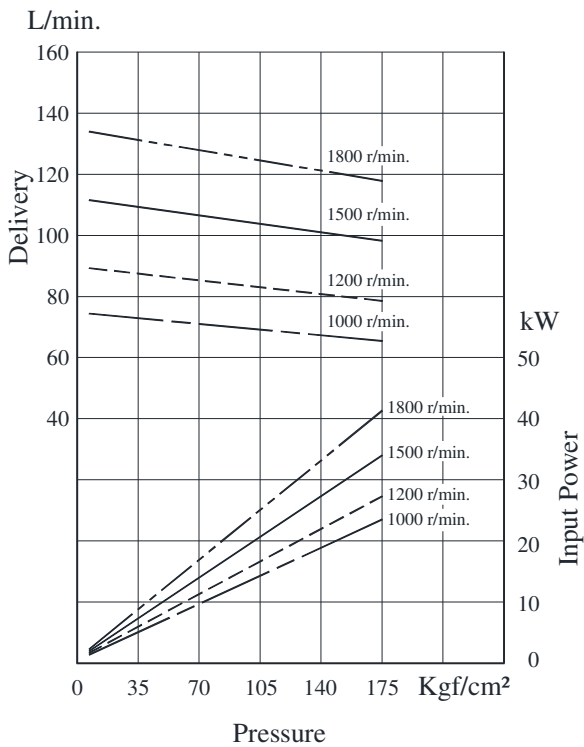
● **PVR 150 - 60**



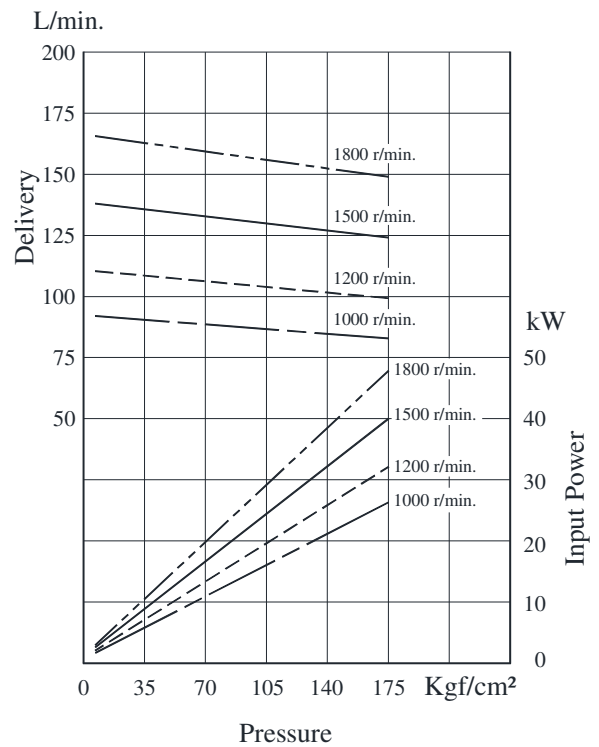
● **PVR 150 - 70**



● **PVR 150 - 90**

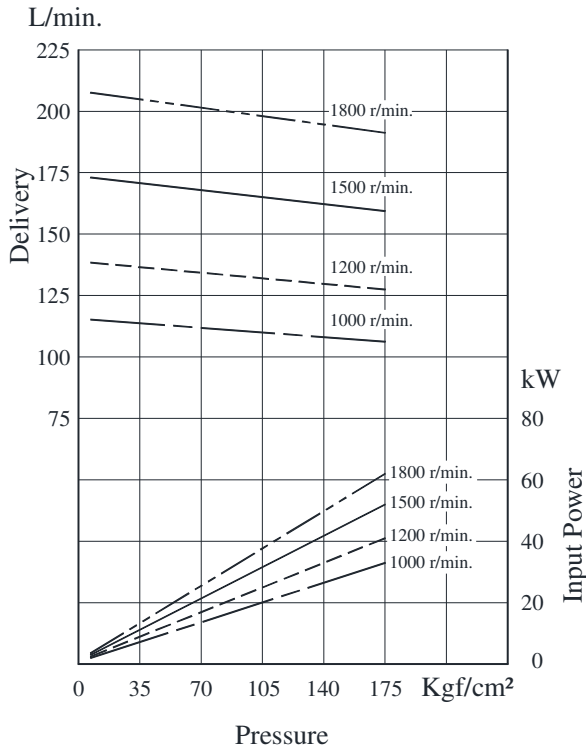


● **PVR 150 - 110**

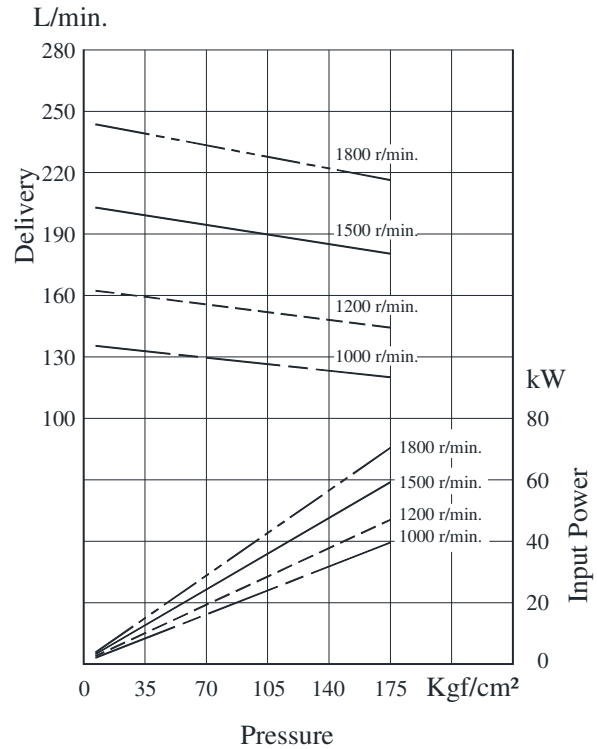


Typical Pump Characteristics Oil Viscosity 20 cSt [ISO VG 32, Temp 50° C]

● **PVR 150 - 140**



● **PVR 150 - 170**



■ **Spare Parts List**

● **List of Seals**

Sl. No.	Name of Part	Part number	Qty.
1	O-Ring	SO-NA-G120Y	1
2	O-Ring	ARP568231	1
3	O-Ring	SO-NB-G125	1
4	Backup-Ring	JISW1516-G9	1
5	Backup-Ring	SO-BB-G120	1
6	Oil Seal	TC38558-7	1

Note: When ordering the seals, please specify the seal kit number KS-PVR150-3480.

■ **Cartridge Kit Model Number**

Pump Model Numbers	Cartridge Kit Number #
PVR1T-6-※-R※-2080	CPVR1T-06-R-20
PVR1T-10-※-R※-2080	CPVR1T-10-R-20
PVR1T-15-※-R※-2080	CPVR1T-15-R-20
PVR50-※-※-20-R※※-3180	CPVR50-20-R-31
PVR50-※-※-36-R※※-3180	CPVR50-36-R-31
PVR50-※-※-45-R※※-3180	CPVR50-45-R-31
PVR150-※-F-70-R※※-3480	CPVR150-70-R-33
PVR150-※-F-110-R※※-3480	CPVR150-110-R-33

1. For instructions regarding replacing cartridge kit, consult YUKEN INDIA LTD.

# The above table does not include all combinations of cartridges available.

Only a few representative samples are shown.

■ **Flanges**

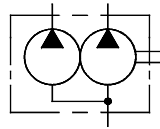
Note: Please refer page no. 747 for flange details.

**■ PVR 1050 Series Double Vane Pumps**

These double pumps consist of one PVR1T and one PVR50 series single pumps combined in tandem within a single housing and driven by a common shaft. Fluid delivered from the two separate ports can be either supplied to separate or common circuits.



Graphic symbol



**■ Specifications**

Model Number	Small Volume Pump Geometric Displacement cm <sup>3</sup> /rev.	Large Volume Pump Geometric Displacement cm <sup>3</sup> /rev.	Max. Opr. Pressure Kgf/cm <sup>2</sup>	Output Flow and Input Power	Shaft Speed Range r/min.		Mass (Approx) Kg.	
					Max.	Min.	Flange Mounting	Foot Mounting
PVR1050	Refer Specification in page No. 119	Refer Specification in Page No. 124	175	Refer Page 122, 123, 126, 127 & 128	1800	600	17.7	20.5

**■ Model Number Designation**

F-	PVR1050	-L	-F	-4	-39	-R	E	A	A	-11	80
Special Seals	Series Number	Mounting	Type of Pipe Connection	Small Volume Pump Nominal Displacement	Large Volume Pump Nominal Displacement	Direction of Rotation	Small Volume Pump Discharge Position	Large Volume Pump Discharge Position	Suction Port Position	Design *	Design Std.
				4, 6 8, 10 12, 15 17	13, 20 26, 30 36, 39 45, 51	As viewed from shaft end				11	80
<b>F:</b> For Phosphate Ester Type Fluids. (omit if not required)	<b>PVR1050</b>	<b>L:</b> Foot Mounting <b>F:</b> Flange Mounting	<b>F:</b> Flange Connection			<b>R:</b> Clockwise (Normal) <b>L:</b> Anticlockwise					

\* Design numbers subject to change from 10 to 19, but installation dimensions remain as shown.  
\* For instructions regarding changing the port positions, consult YUKEN INDIA LTD.

**■ Cartridge Kit Model Number**

● Large Volume Pump

CPVR1050	-13	-R	-10
Model Number	Nominal Displacement	Shaft Rotation	Design No.
CPVR1050	13	<b>R:</b> Clockwise (Normal)	10
	20		
	26		
	30	<b>L:</b> Counter-Clockwise	
	36		
	39		
	45		
51			

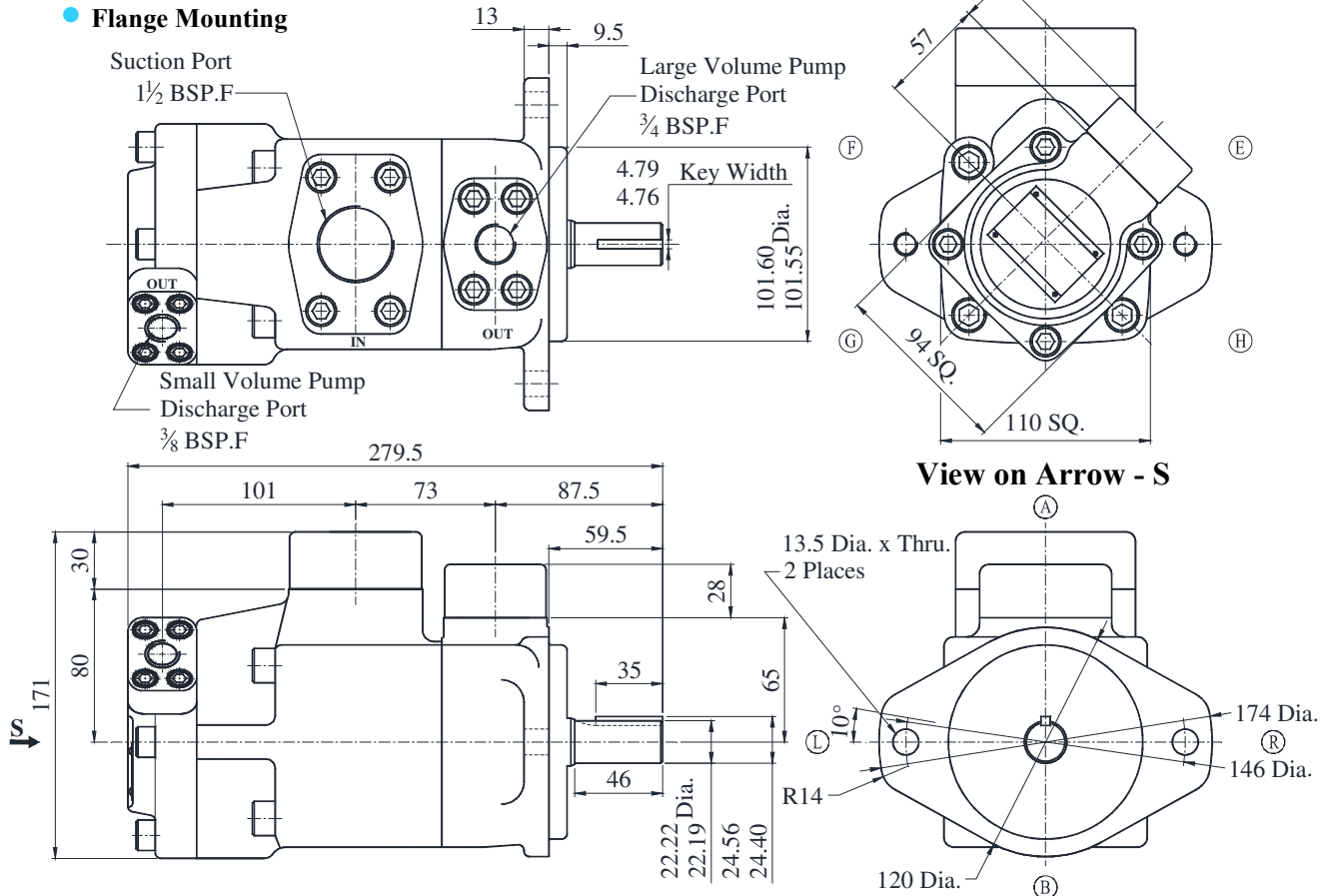
● Small Volume Pump

CPVR1050	-4	-R	-20
Model Number	Nominal Displacement	Shaft Rotation	Design No.
CPVR1050	4	<b>R:</b> Clockwise (Normal)	20
	6		
	8		
	10	<b>L:</b> Counter-Clockwise	
	12		
	15		
	17		

\* For instructions regarding replacing cartridge kit, consult YUKEN INDIA LTD.

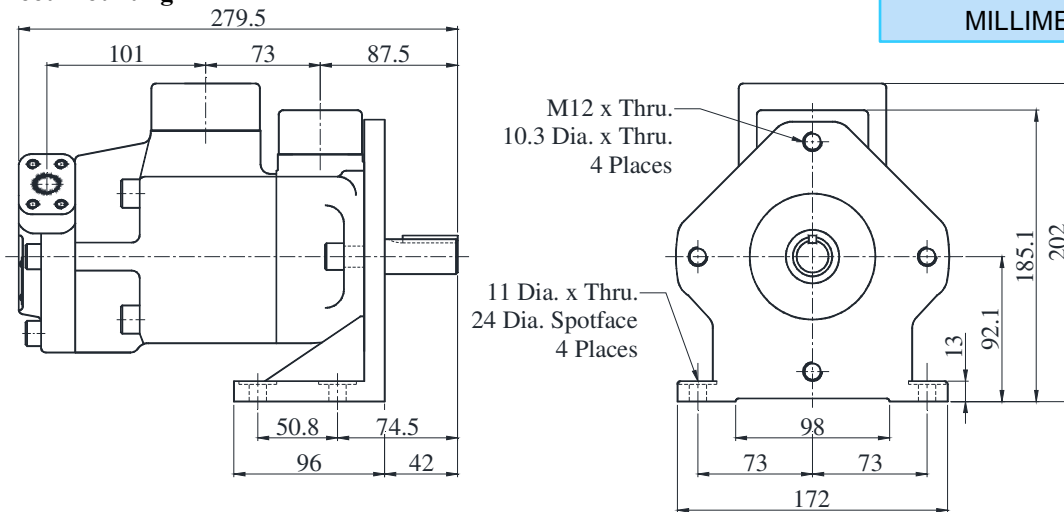
**PVR1050-F-F-※-※-※※※※-1180**

● **Flange Mounting**



**PVR1050-L-F-※-※-※※※※-1180**

● **Foot Mounting**



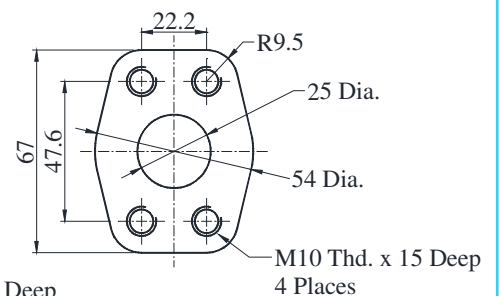
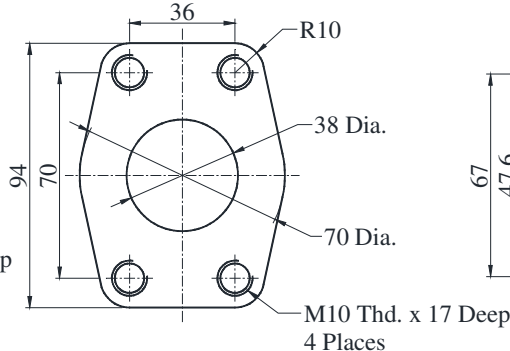
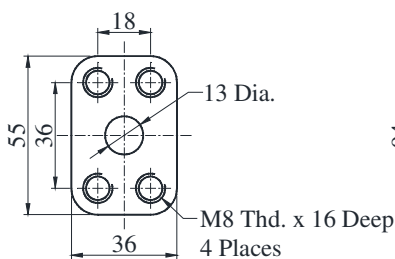
**DIMENSIONS IN MILLIMETRES**

**For Reference: Dimensions of Pipe Flange Mounting Surfaces**

**Small Volume Pump Discharge Port**

**Suction Port**

**Large Volume Pump Discharge Port**



**“PVR” Series Double Vane Pumps**



## ■ Flanges

Note: Please refer page no. 747 for flange details.

## ■ Spare Parts List

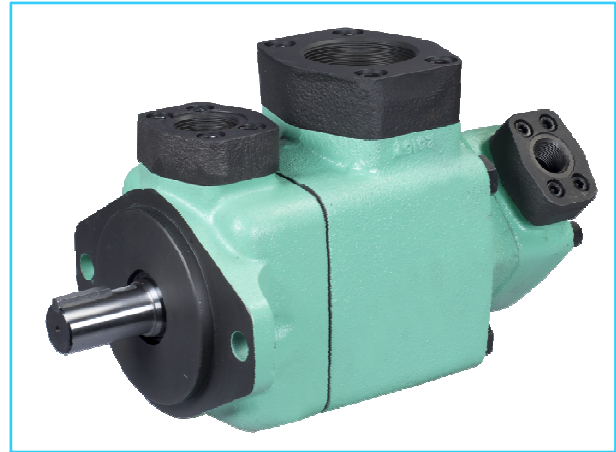
### ● List of Seals

Sl. No.	Name of Part	Part number	Qty.
1	O-Ring	SO-NB-G35	1
2	O-Ring	SO-NA-P41	1
3	O-Ring	SO-NB-G60	1
4	O-Ring	SO-NA-G80	1
5	O-Ring	SO-NB-G80	1
6	O-Ring	SO-NB-G85	1
7	Backup-Ring	SO-BB-P41	1
8	Backup-Ring	SO-BB-G80	1
9	Oil Seal	ISPD 25388	1

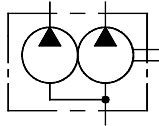
Note: When ordering the seals, please specify the seal kit number KS-PVR1050-1180.

**■ PVR 50150 Series Double Vane Pumps**

These double pumps consist of one PVR 50 and one PVR 150 series single pumps combined in tandem within a single housing and driven by a common shaft. Fluid delivered from the two separate ports can be either supplied to separate or common circuits. These pumps are used in mobile application.



Graphic symbol



**■ Specifications**

Model Number	Small Volume Pump Geometric Displacement cm <sup>3</sup> /rev.	Large Volume Pump Geometric Displacement cm <sup>3</sup> /rev.	Max. Opr. Pressure Kgf/cm <sup>2</sup>	Output Flow and Input Power	Shaft Speed Range r/min		Mass (Approx) Kg.	
					Max.	Min.	Flange Mounting	Foot Mounting
PVR50150	Refer Specification in Page No. 124	Refer Specification in Page No. 129	175	Refer Page 126, 127, 128, 131 & 132	1800*	600	42.5	49

\* For speeds above 1500 r/min. consult factory for information.

**■ Model Number Designation**

F-	PVR50150	-L	-F	-13	-60	-R	E	A	A	-15	80	
Special Seals	Series Number	Mounting	Type of Pipe Connection	Small Volume Pump Nominal Displacement	Large Volume Pump Nominal Displacement	Direction of Rotation	Small Volume Pump Discharge Position	Large Volume Pump Discharge Position	Suction Port Position	Design No.	Design Std	
							As viewed from shaft end					
<b>F:</b> For Phosphate Ester Type Fluids. (omit if not required)	<b>PVR50150</b>	<b>L:</b> Foot Mounting <b>F:</b> Flange Mounting	<b>F:</b> Flange Connection	<b>13, 20</b> <b>26, 30</b> <b>36, 39</b> <b>45, 51,</b> <b>56</b>	<b>60, 70</b> <b>90, 110</b> <b>140, 170</b>	<b>R:</b> Clockwise (Normal) <b>L:</b> Anticlockwise				<b>15</b>	<b>80</b>	

\* Design numbers subject to change from 10 to 19, but installation dimensions remain as shown.

\* For instructions regarding changing the port positions, consult YUKEN INDIA LTD.

**■ Cartridge Kit Model Number**

● Large Volume Pump

CPVR150	-60	-R	-33
Model Number	Nominal Displacement	Shaft Rotation	Design No.
<b>CPVR150</b>	<b>60</b>	<b>R:</b> Clockwise (Normal)	<b>33</b>
	<b>70</b>		
	<b>90</b>		
	<b>110</b>	<b>L:</b> Counter-Clockwise	
	<b>140</b>		
	<b>170</b>		

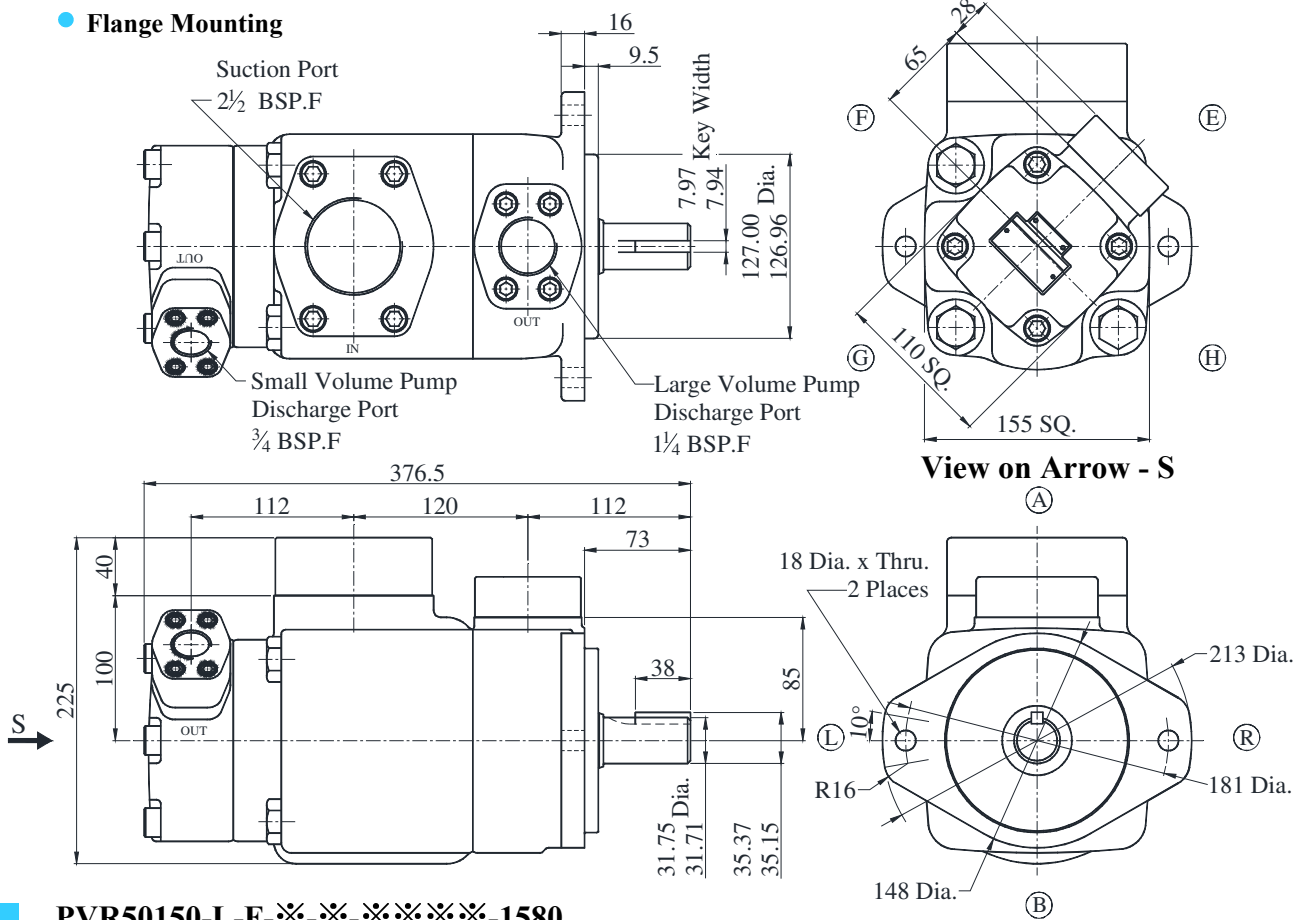
● Small Volume Pump

CPVR50150	-13	-R	-14
Model Number	Nominal Displacement	Shaft Rotation	Design No.
<b>CPVR50150</b>	<b>13</b>	<b>R:</b> Clockwise (Normal)	<b>14</b>
	<b>20</b>		
	<b>26</b>		
	<b>30</b>		
	<b>36</b>		
	<b>39</b>	<b>L:</b> Counter-Clockwise	
	<b>45</b>		
	<b>51</b>		

\* For instructions regarding replacing cartridge kit, consult YUKEN INDIA LTD.

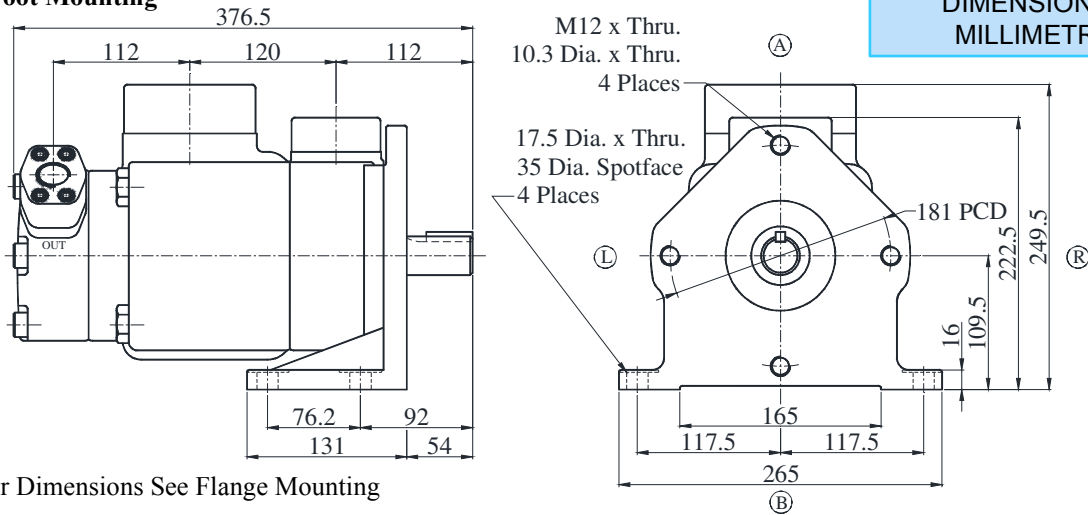
**PVR50150-F-F-※-※-※※※※※-1580**

● **Flange Mounting**



**PVR50150-L-F-※-※-※※※※※-1580**

● **Foot Mounting**

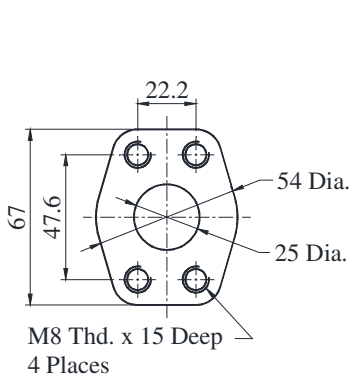


**DIMENSIONS IN MILLIMETRES**

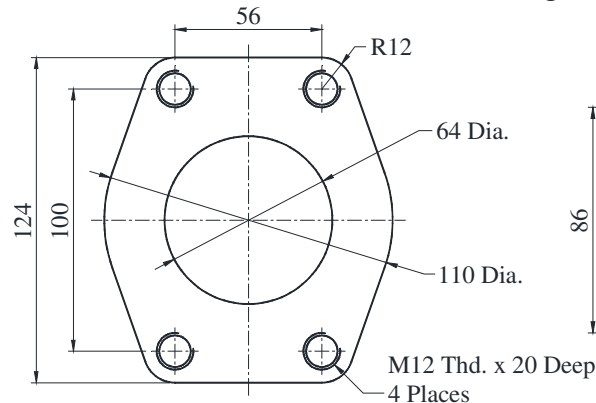
For Other Dimensions See Flange Mounting

**For Reference: Dimensions of Pipe Flange Mounting Surfaces**

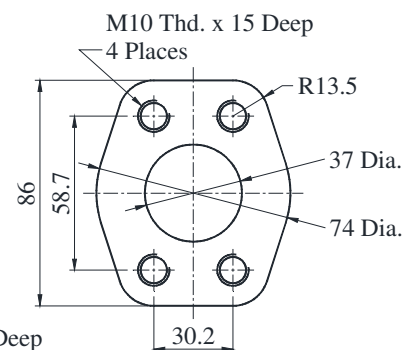
**Small Volume Pump Discharge Port**



**Suction Port**



**Large Volume Pump Discharge Port**



**“PVR” Series Double Vane Pumps**

**Cartridge Kit Model Number**

Pump Model Numbers	Cartridge Kit Number #	
	Small Volume Pump	Large Volume Pump
PVR1050-※-F-10-※-R※※※-1180	CPVR1050-10-R-20	CPVR1050-※-R-10
PVR1050-※-F-12-※-R※※※-1180	CPVR1050-12-R-20	
PVR1050-※-F-15-※-R※※※-1180	CPVR1050-15-R-20	
PVR1050-※-F-17-※-R※※※-1180	CPVR1050-17-R-20	
PVR50150-※-F-20-※-R※※※-1580	CPVR50150-20-L-14	CPVR150-※-R-33
PVR50150-※-F-30-※-R※※※-1580	CPVR50150-30-L-14	
PVR50150-※-F-36-※-R※※※-1580	CPVR50150-36-L-14	
PVR50150-※-F-39-※-R※※※-1580	CPVR50150-39-L-14	
PVR50150-※-F-45-※-R※※※-1580	CPVR50150-45-L-14	
PVR50150-※-F-51-※-R※※※-1580	CPVR50150-51-L-14	

\* For instructions regarding replacing cartridge kit, consult YUKEN INDIA LTD.

# The above table does not include all combinations of cartridges available.

Only a few representative samples are shown.

**Flanges**

Note: Please refer page no. 747 for flange details.

**Spare Parts List**

● **List of Seals**

Sl. No.	Name of Part	Part number	Qty.
1	O-Ring	ARP 568-231	1
2	O-Ring	SO-NA-P41	1
3	O-Ring	SO-NA-G80	1
4	O-Ring	SO-NB-G85	1
5	O-Ring	SO-NA-G120Y	1
6	O-Ring	SO-NB-G125	1
7	Backup-Ring	SO-BB-G120	1
8	Backup-Ring	JIS W 1516-G9	1
9	Backup-Ring	SO-BB-G80	1
10	Backup-Ring	SO-BB-P41	1
11	Oil Seal	TC 38558-7	1

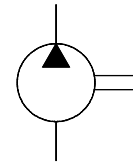
Note: When ordering the seals, please specify the seal kit number KS-PVR50150-1580.

**PVM 50 - Series Single Vane Pumps**

These pumps are widely used as a source of hydraulic power in mobile application. They combine stable performance and robust construction with a wide range of delivery rates.



Graphic Symbol



**Specifications**

Model Number	Geometric Displacement cm <sup>3</sup> /rev.	Max. Opr. Pressure Kgf/cm <sup>2</sup>	Output Flow and Input Power	Shaft Speed Range r/min.		Mass (Approx.) Kg.	
				Max.	Min.	Flange Mounting	Foot Mounting
PVM50-13	9.5	175	Ref. Page 126, 127 & 128	2000*	600	12	14.7
PVM50-20	14.5						
PVM50-26	19.4						
PVM50-30	21.5						
PVM50-36	26.5						
PVM50-39	28.3						
PVM50-45	31.6		Ref. Page 141				
PVM50-51	36.7						
PVM50-56	40.5						

\* For speeds above 2000 r/min., consult factory for information.

**Model Number Designation**

F-	PVM50	-L	-F	-13	-	-R	A	A	-31	80H01
Special Seals	Series Number	Type of Mounting	Type of Pipe Connection	Nominal Displacement	Shaft Type	Direction of Rotation	Discharge Port Position	Suction Port Position	Design * Number	Design Standard
As Viewed From Shaft End										
<b>F:</b> For Phosphate Ester Type Fluids (Omit if not required)	<b>PVM50</b>	<b>L:</b> Foot Type <b>F:</b> Flange Type	<b>F:</b> Flange Connection <b>T:</b> Threaded	<b>13</b> <b>20</b> <b>26</b> <b>30</b> <b>36</b> <b>39</b> <b>45</b> <b>51</b> <b>56</b>	<b>None:</b> Std. Shaft. <b>1:</b> Special Shaft (For 51 & 56 Capacity Only)	<b>R:</b> Clockwise (Normal) <b>L:</b> Counter Clockwise	(See Drawing) <b>A:</b> Normal (Upward) <b>B:</b> Bottom <b>R:</b> Right <b>L:</b> Left	(See Drawing) <b>A:</b> Normal (Upward) <b>B:</b> Bottom <b>R:</b> Right <b>L:</b> Left	<b>31</b>	<b>80H01</b>

\* Design numbers subject to change from 30 to 39, but installation dimensions remain as shown.

\* For instructions regarding changing the port positions, consult YUKEN INDIA LTD.

### ■ Cartridge Kit Model Number

CPVM50	-13	-R	-31H01
Model Number	Nominal Displacement	Shaft Rotation	Design No.
CPVM50	13	R: Clockwise (Normal)	31H01
	20		
	26		
	30	L: Counter- Clockwise	
	36		
	39		
	45		
	51		
	56		

\* For instructions regarding replacing cartridge kit, consult YUKEN INDIA LTD.

### ■ Mounting Details

For mounting details please refer page No. 125.

### ■ Flanges

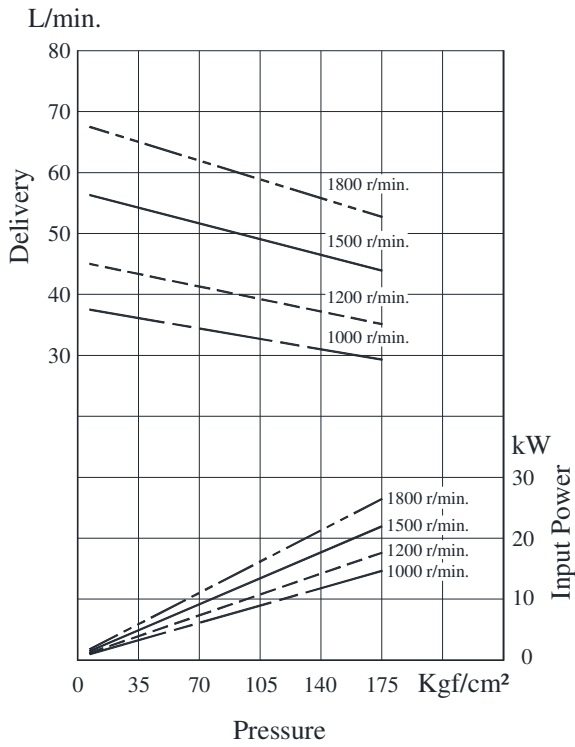
Note: Please refer page no. 747 for flange details.

### ■ Spare parts list

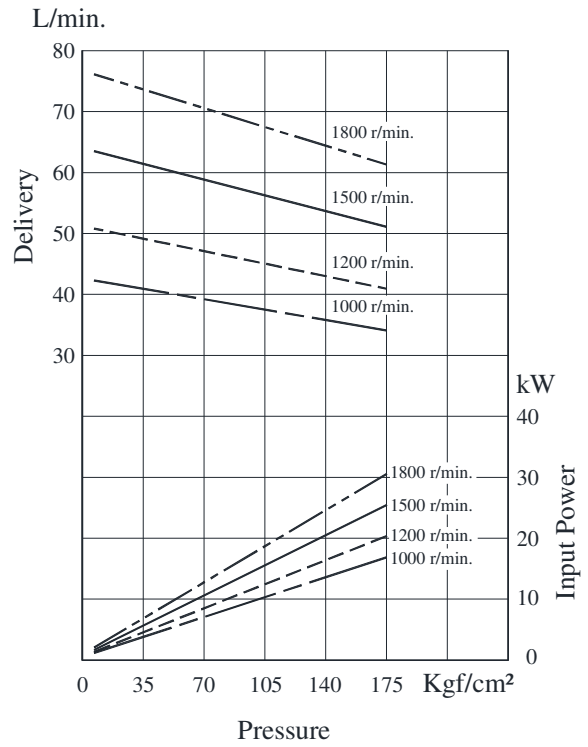
For list of spares please refer page No. 128.

Typical Pump Characteristics Oil Viscosity 20 cSt [ISO VG 32, Temp 50<sup>0</sup> C]

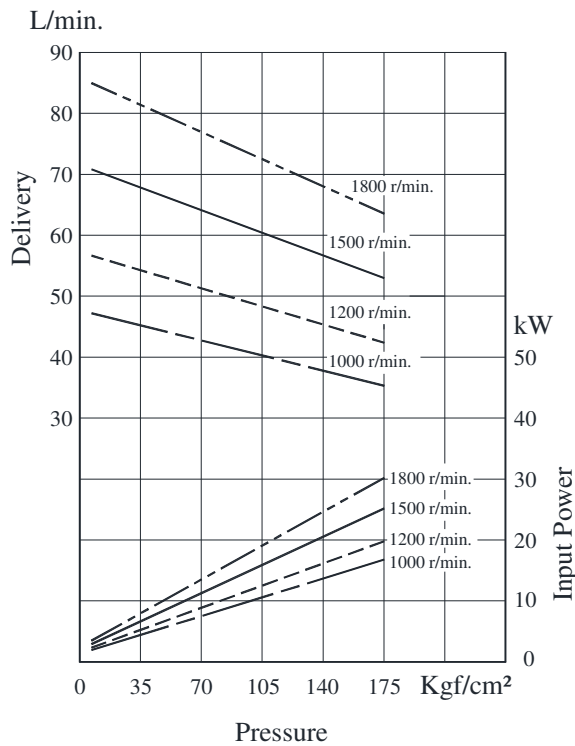
● **PVM50 - 45**



● **PVM50 - 51**



● **PVM50 - 56**

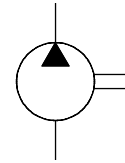


**PVM 150 - Series Single Vane Pumps**

These pumps are widely used as a source of hydraulic power in mobile application. They combine stable performance and robust construction with a wide range of delivery rates.



Graphic Symbol



**Specifications**

Model Number	Geometric Displacement cm <sup>3</sup> /rev.	Max. Opr. Pressure Kgf/cm <sup>2</sup>	Output Flow and Input Power	Shaft Speed Range r/min.		Mass (Approx.) Kg.	
				Max.	Min.	Flange Mounting	Foot Mounting
PVM150 – 60	47	175	Ref. Page 131 & 132	2000*	600	29.3	35.9
PVM150 – 70	57						
PVM150 – 90	75						
PVM150 – 110	92						
PVM150 – 140	115						
PVM150 – 170	135						

\* For speeds above 2000 r/min., consult factory for information.

**Model Number Designation**

F-	PVM150	-L	-F	-60	-R	A	A	-34	80H01
Special Seals	Series Number	Type of Mounting	Type of Pipe Connection	Nominal Displacement	Direction of Rotation	Discharge Port Position	Suction Port Position	Design * Number	Design Std
As Viewed From Shaft End									
<b>F:</b> For Phosphate Ester Type Fluids (Omit if not required)	<b>PVM150</b>	<b>L:</b> Foot Type <b>F:</b> Flange Type	<b>F:</b> Flange Connection	<b>60</b> <b>70</b> <b>90</b> <b>110</b> <b>140</b> <b>170</b>	<b>R:</b> Clockwise (Normal) <b>L:</b> Counter Clockwise	(See Drawing) <b>A:</b> Normal & Upward <b>B:</b> Bottom <b>R:</b> Right <b>L:</b> Left	(See Drawing) <b>A:</b> Normal & Upward <b>B:</b> Bottom <b>R:</b> Right <b>L:</b> Left	<b>34</b>	<b>80H01</b>

\* Design numbers subject to change from 30 to 39, but installation dimensions remain as shown.

\* For instructions regarding changing the port positions, consult YUKEN INDIA LTD.

**Mounting Details**

For mounting details refer page No. 130.

**Spare parts list**

For list of spares please refer page No. 132.



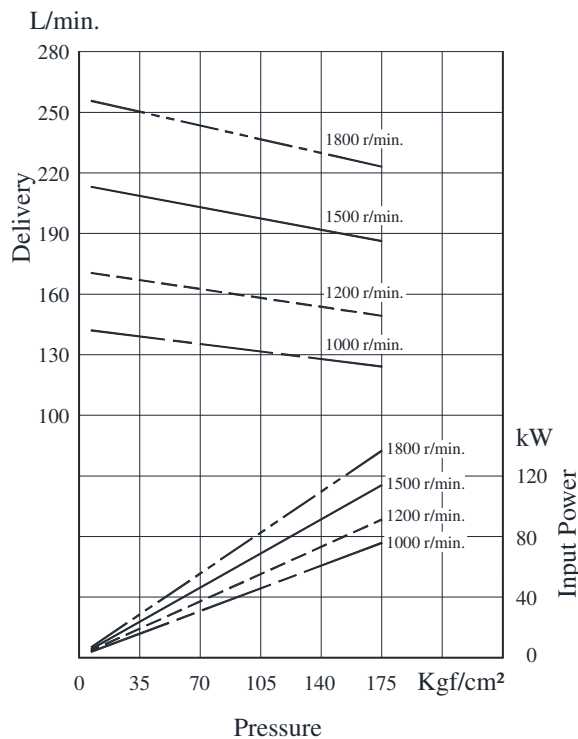
**Cartridge Kit Model Number**

CPVM150	-60	-R	-33H01
Model Number	Nominal Displacement	Shaft Rotation	Design No.
CPVM150	60	R: Clockwise (Normal)	33H01
	70		
	90		
	110	L: Counter- Clockwise	
	140		
	170		

\* For instructions regarding replacing cartridge kit, consult YUKEN INDIA LTD.

**Typical Pump Characteristics Oil Viscosity 20 cSt [ISO VG 32, Temp 50<sup>0</sup> C]**

● **PVM 150 - 170**



**Cartridge Kit Model Number**

Pump Model Numbers	Cartridge Kit Number #
PVM50-※-※-13-R※※-3180H01	CPVM50-13-R-31H01
PVM50-※-※-26-R※※-3180H01	CPVR50-26-R-31H01
PVM50-※-※-36-R※※-3180H01	CPVR50-36-R-31H01
PVM50-※-※-45-R※※-3180H01	CPVR50-45-R-31H01
PVM50-※-※-56-R※※-3180H01	CPVR50-56-R-31H01
PVM150-※-F-70-R※※-3480H01	CPVM150-70-R-33H01
PVM150-※-F-110-R※※-3480H01	CPVM150-110-R-33H01
PVM150-※-F-140-R※※-3480H01	CPVM150-140-R-33H01
PVM150-※-F-170-R※※-3480H01	CPVM150-170-R-33H01

For instructions regarding replacing cartridge kit, consult YUKEN INDIA LTD.

# The above table does not include all combinations of cartridges available. Only a few representative samples are shown.

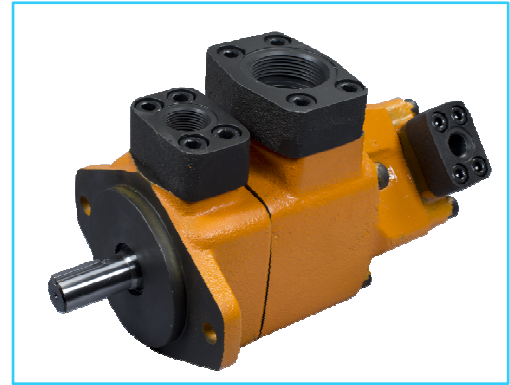
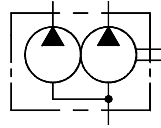
**Flanges**

Note: Please refer page no. 747 for flange details.

**PVM 1050 Series Double Vane Pumps**

These double pumps consist of one PVM1T and one PVM50 series single pumps combined in tandem within a single housing and driven by a common shaft. Fluid delivered from the two separate ports can be either supplied to separate or common circuits. These pumps are used in mobile application.

Graphic symbol



**Specifications**

Model Number	Small Volume Pump Geometric Displacement cm <sup>3</sup> /rev.	Large Volume Pump Geometric Displacement cm <sup>3</sup> /rev.	Max. Opr. Pressure Kgf/cm <sup>2</sup>	Output Flow and Input Power	Shaft Speed Range r/min		Mass (Approx.) Kg.	
					Max.	Min.	Flange Mounting	Foot Mounting
PVM1050	Refer Specification in Page No. 119	Refer Specification in Page No. 139	175	Refer Page 122, 123, 126, 127 & 128*	2000	600	17.75	20.56

\* Applicable to Large Volume Pump Model Number PVM50-45 & PVM50-51 refer page no. 141.

**Model Number Designation**

F-	PVM1050	-L	-F	-4	-39	-R	E	A	A	-11	80H01
Special Seals	Series Number	Mounting	Type of Pipe Connection	Small Volume Pump Nominal Displacement	Large Volume Pump Nominal Displacement	Direction of Rotation	Small Volume Pump Discharge Position	Large Volume Pump Discharge Position	Suction Port Position	Design No.	Design Std
				4, 6 8, 10 12, 15 17	13, 20 26, 30 36, 39 45, 51		As viewed from shaft end				
<b>F:</b> For Phosphate Ester Type Fluids. (omit if not required)	<b>PVM1050</b>	<b>L:</b> Foot Mounting <b>F:</b> Flange Mounting	<b>F:</b> Flange Connection			<b>R:</b> Clockwise (Normal) <b>L:</b> Anticlockwise				<b>11</b>	<b>80H01</b>

\* Design numbers subject to change from 10 to 19, but installation dimensions remain as shown.

\* For instructions regarding changing the port positions, consult YUKEN INDIA LTD.

**Cartridge Kit Model Number**

● Large Volume Pump

CPVM1050	-13	-R	-10H01
Model Number	Nominal Displacement	Shaft Rotation	Design No.
CPVM1050	13	<b>R:</b> Clockwise (Normal)	10H01
	20		
	26		
	30	<b>L:</b> Counter-Clockwise	
	36		
	39		
	45		
51			

● Small Volume Pump

CPVM1050	-4	-R	-10H01
Model Number	Nominal Displacement	Shaft Rotation	Design No.
CPVM1050	4	<b>R:</b> Clockwise (Normal)	10H01
	6		
	8		
	10	<b>L:</b> Counter-Clockwise	
	12		
	15		
	17		

\* For instructions regarding replacing cartridge kit, consult YUKEN INDIA LTD.

**Mounting Details**

For mounting details please refer page No. 134.

**Flanges**

Note: Please refer page no. 747 for flange details.

**Spare parts list**

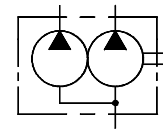
For list of spares please refer page No. 135.

**PVM 50150 Series Double Vane Pumps**

These double pumps consist of one PVM 50 and one PVM 150 series single pumps combined in tandem within a single housing and driven by a common shaft. Fluid delivered from the two separate ports can be either supplied to separate or common circuits. These pumps are used in mobile application.



Graphic symbol



**Specifications**

Model Number	Small Volume Pump Geometric Displacement cm <sup>3</sup> /rev.	Large Volume Pump Geometric Displacement cm <sup>3</sup> /rev.	Max. Oper. Pressure Kg/cm <sup>2</sup>	Output Flow and Input Power	Shaft Speed Range r/min.		Mass (Approx) Kg.	
					Max.	Min.	Flange Mounting	Foot Mounting
PVM50150	Refer Specification in Page No. 139	Refer Specification in Page No. 142	175	Refer Page 126, 127, 128, 131, 141* & 143*1	2000*2	600	42.5	49

\* Applicable to Small Volume Pump Model Number PVM50 – 45 & 51 refer page no. 141.

\*1 Applicable to Large Volume Pump Model Number PVM150 - 170 refer page no. 143.

\*2 For speeds above 2000 r/min. consult factory for information.

**Model Number Designation**

F-	PVM50150	-L	-F	-13	-60	-R	E	A	A	-15	80H01
Special Seals	Series Number	Mounting	Type of Pipe Connection	Small Volume Pump Nominal Displacement	Large Volume Pump Nominal Displacement	Direction of Rotation	Small Volume Pump Discharge Position	Large Volume Pump Discharge Position	Suction Port Position	Design No. *	Design Std
F: For Phosphate Ester Type Fluids (Omit if not required)	PVM50150	L: Foot Mounting F: Flange Mounting	F: Flange Attachment	13, 20 26, 30 36, 39 45, 51	60, 70 90, 110 140, 170	R: Clockwise (Normal) L: Counter Clockwise				15	80H01

\* Design numbers subject to change from 10 to 19, but installation dimensions remain as shown.

\* For instructions regarding changing the port positions, consult YUKEN INDIA LTD.

**Mounting Details**

For mounting details please refer page No. 137.

**Flanges**

Note: Please refer page no. 747 for flange details.

**Spare parts list**

For list of spares please refer page No. 138.

**Cartridge Kit Model Number**

● **Large Volume Pump**

CPVM150	-60	-R	-33H01
Model Number	Nominal Displacement	Shaft Rotation	Design No.
CPVM150	60	R: Clockwise (Normal)	33H01
	70		
	80		
	90	L: Counter- Clockwise	
	110		
	140		
	170		

● **Small Volume Pump**

CPVM50150	-13	-R	-14
Model Number	Nominal Displacement	Shaft Rotation	Design No.
CPVM50150	13	R: Clockwise (Normal)	14
	20		
	26		
	30		
	36		
	39	L: Counter- Clockwise	
	45		
	51		

\* For instructions regarding replacing cartridge kit, consult YUKEN INDIA LTD.

**Cartridge Kit Model Number**

Pump Model Numbers	Cartridge Kit Number #	
	Small Volume Pump	Large Volume Pump
PVM1050-※-F-10-※-R※※※※-1180H01	CPVM1050-10-R-10H01	CPVM1050-※-R-10H01
PVM1050-※-F-12-※-R※※※※-1180H01	CPVM1050-12-R-10H01	
PVM1050-※-F-15-※-R※※※※-1180H01	CPVM1050-15-R-10H01	
PVM1050-※-F-17-※-R※※※※-1180H01	CPVM1050-17-R-10H01	
PVM50150-※-F-20-※-R※※※※-1580H01	CPVM50150-20-L-14	CPVM150-※-R-33H01
PVM50150-※-F-30-※-R※※※※-1580H01	CPVM50150-30-L-14	
PVM50150-※-F-36-※-R※※※※-1580H01	CPVM50150-36-L-14	
PVM50150-※-F-39-※-R※※※※-1580H01	CPVM50150-39-L-14	
PVM50150-※-F-45-※-R※※※※-1580H01	CPVM50150-45-L-14	
PVM50150-※-F-51-※-R※※※※-1580H01	CPVM50150-51-L-14	

\* For instructions regarding replacing cartridge kit, consult YUKEN INDIA LTD.

# The above table does not include all combinations of cartridges available.

Only a few representative samples are shown.