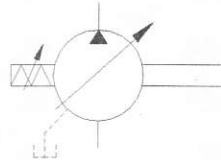
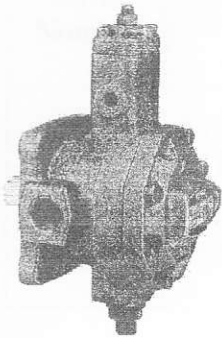


VARIABLE DISPLACEMENT VANE PUMP

The "SVP" series variable displacement single stage vane pump is widely used for machine tools etc.



Graphic Symbol

■ Rating

Model Number	Max. Operating Pressure kgf/cm ² (Mpa)	Delivery at unloading cm ³ /rev.	Flow (lpm)		Pr. Adj. Range kgf/cm ²	Shaft speed range rpm	
			1800 rpm	1500 rpm		Max.	Min.
SVP*-12-20-20	20 (2)	6.7	12	10	10 ~ 20	1800	800
SVP*-12-35-20	35 (3.5)				15 ~ 35		
SVP*-12-55-20	55 (5.5)				30 ~ 55		
SVP*-12-70-20	70 (7)				50 ~ 70		
SVP*-20-20-20	20 (2)	11.1	20	16.7	10 ~ 20		
SVP*-20-35-20	35 (3.5)				15 ~ 35		
SVP*-20-55-20	55 (5.5)				30 ~ 55		
SVP*-20-70-20	70 (7)				50 ~ 70		
SVPF-30-20-20	20 (2)	16.7	30	25	10 ~ 20		
SVPF-30-35-20	35 (3.5)				15 ~ 35		
SVPF-30-55-20	55 (5.5)				30 ~ 55		
SVPF-30-70-20	70 (7)				50 ~ 70		
SVPF-40-20-20	20 (2)	22.2	40	35	10 ~ 20		
SVPF-40-35-20	35 (3.5)				15 ~ 35		
SVPF-40-55-20	55 (5.5)				30 ~ 55		
SVPF-40-70-20	70 (7)				50 ~ 70		

16/10/03
CONTROLLED COPY
07/05/30

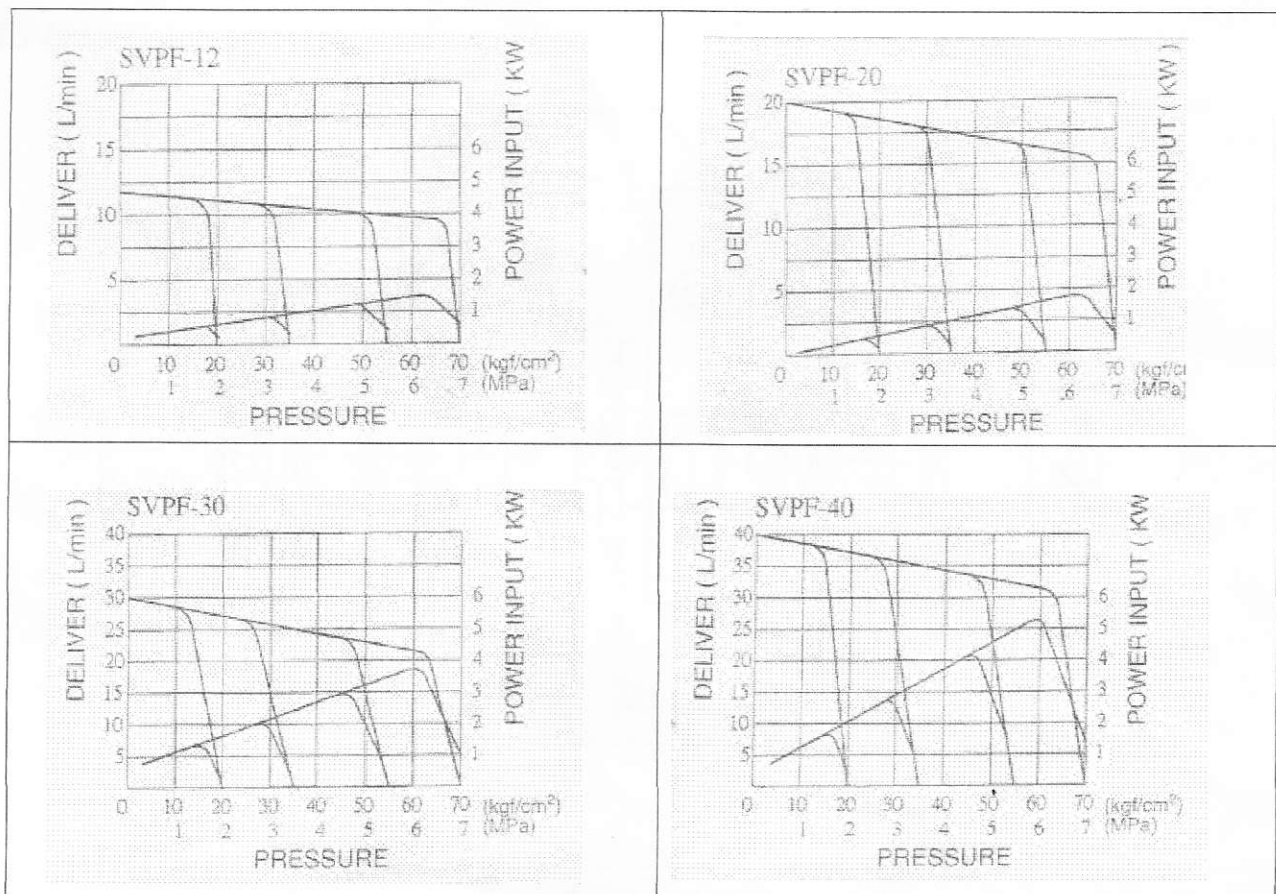
■ Model number designation


SVP	F	-30	-70	-20
Series Number	Mounting	Delivery at unloading l/min. 1800 rpm	Max. Operating Pressure	Design Number
SVP	L: Foot Mtg. F: Flange Mtg	12	20: 20 Kgf / cm ² (2 Mpa)	20
		20	35: 35 Kgf / cm ² (3.5 Mpa)	
	F: Flange Mtg	30	55: 55 Kgf / cm ² (5.5 Mpa)	
		40	70: 70 Kgf / cm ² (7 Mpa)	

■ Mounting Bolts

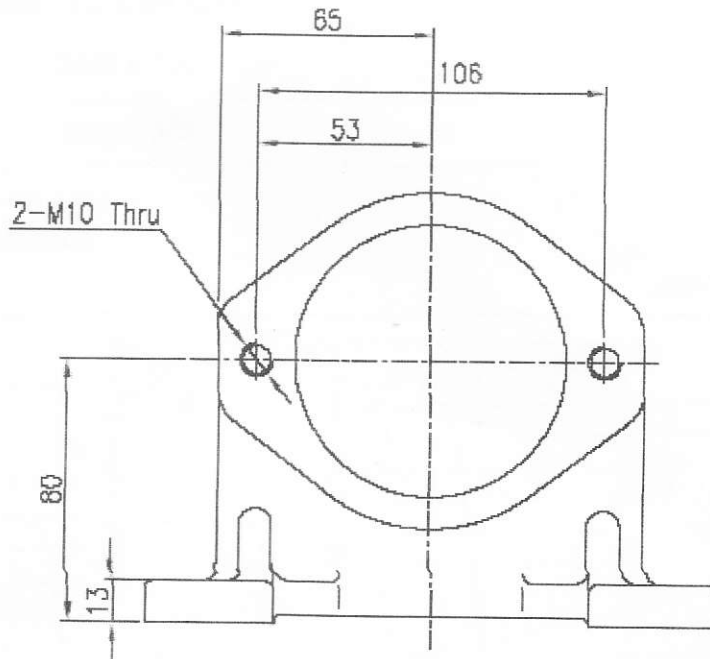
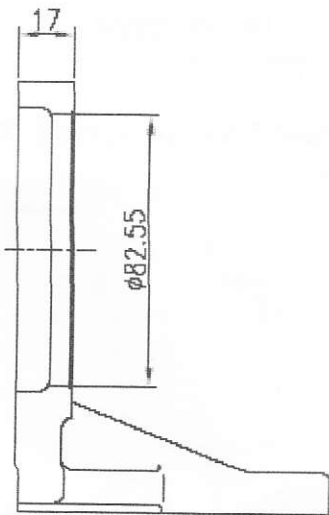
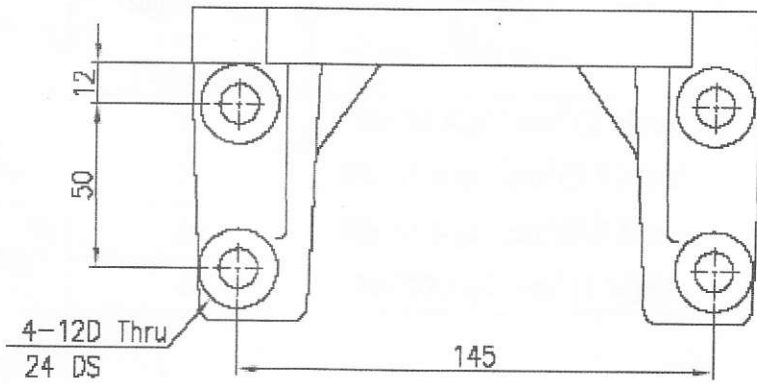
Model	Soc. Hd. Cap Screw	Qty.
SVP*-12 / 20	M10 x 20L	2
SVPF-30 / 40	M10 x 30L	4

■ Performance Characteristics




CONTROLLED COPY
 07/05/30

■ Mounting Bracket



Note: Mounting Bracket is available for flow capacity 12 & 20 only.

CONTROLLED COPY
07/05/30