



Description

Pressure compensated flow control in the direction of flow from port A to B.

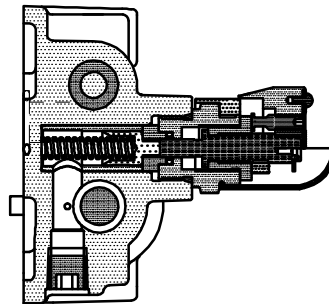
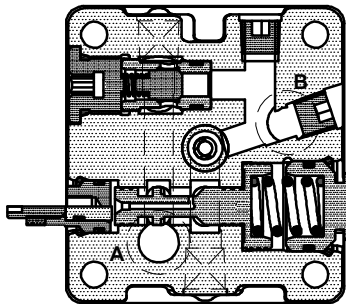
Check valve option for reverse free flow.

Seven rotations of hand knob over the controlling range to facilitate setting with ease.

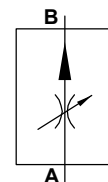
Stroke limiter option available for surge free start at any flow setting.



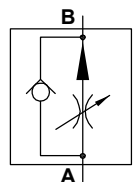
Section



Hydraulic symbol



Without
Check valve



With
Check valve

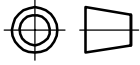
Technical specifications

Construction	:	Differential piston with sharp edge orifice.
Interface	:	ISO 6263-06-05.
Flow direction	:	Controlled flow from Port A to Port B with optional reverse free check valve.
Flow controlling capacity	:	Minimum 0.25 to 4 l/min, 0.5 to 8 l/min, 1 to 16 l/min or 2 to 32 l/min 3 to 40 l/min.
Flow controlling accuracy	:	± 3%. (At an average temperature of 40°C and Oil viscosity grade 46.)
Operating pressures	:	315 bar.
Minimum pressure differential required	:	7 bar from Port A to Port B.
Hydraulic medium	:	Mineral oil.
Temperature range	:	-20°C to + 80°C.
Viscosity range	:	10 cSt to 380 cSt.
Fluid cleanliness required	:	ISO 4406 20/18/15 or better.
Mass (approx)	:	2.4 Kg.

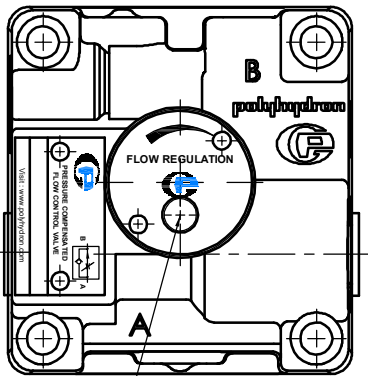
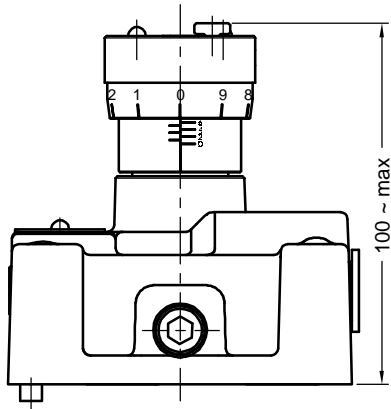


Unit dimensions

Dimensions in mm.

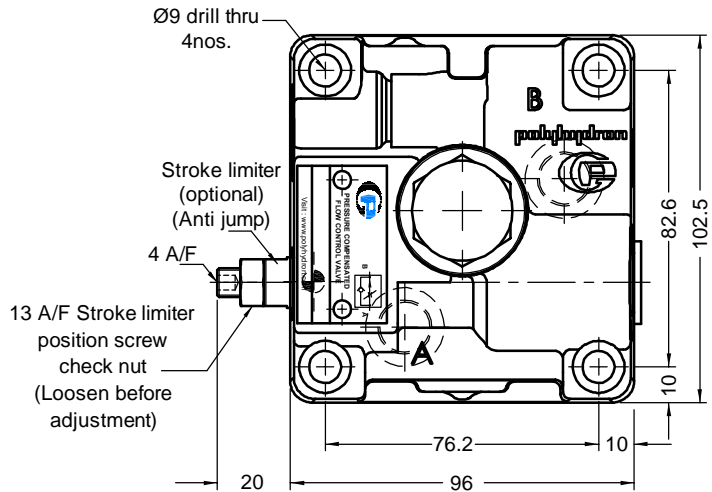
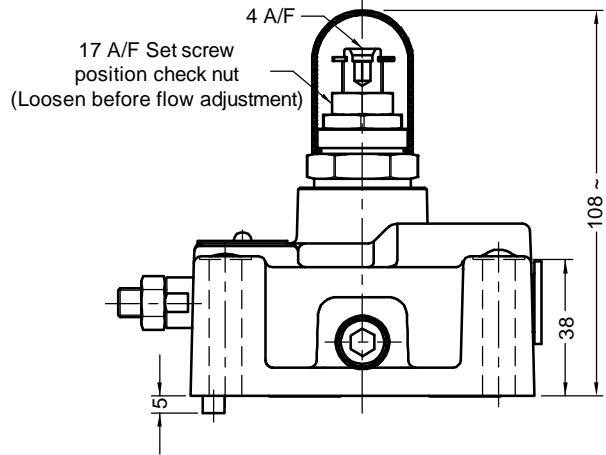


Hand knob type Model : 2PFH10****-14

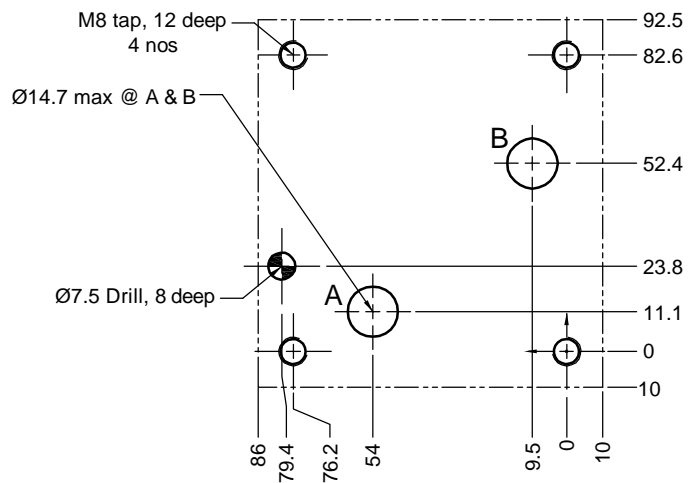


Hand Knob
position locking screw
(Loosen before flow adjustment)

Set screw type Model : 2PFS10****-14

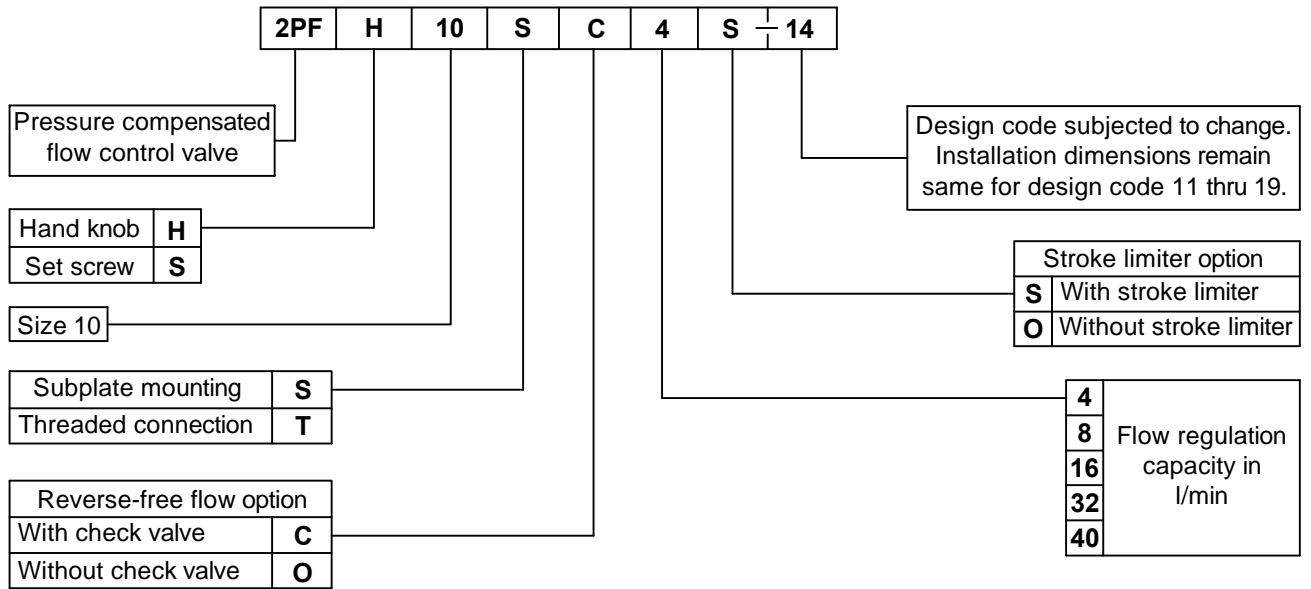


Valve mounting interface



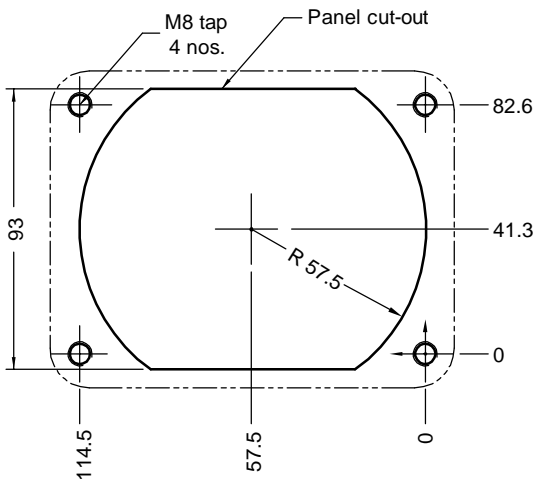


Ordering code

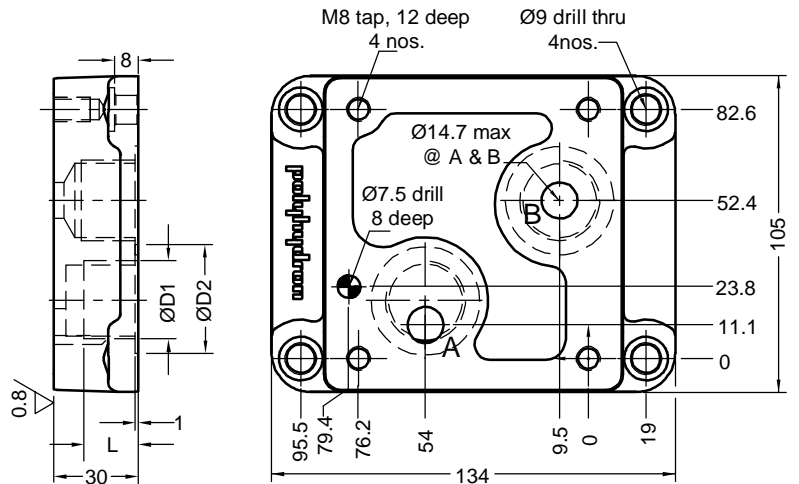


Note : Valve Subplate to be ordered separately.

Panel cut-out details for mounting subplate



Subplate



Subplate Ordering code	ØD1	ØD2	L
1SF06G03	G3/8	25	13
1SF06G04	G1/2	30	15
1SF06G06	G3/4	36	17

All rights reserved.

Subject to change without prior notice.

Due to continuous improvement in the design of the product, the actual product supplied may look different than shown above.

For critical applications, please ask for certified installation drawing.