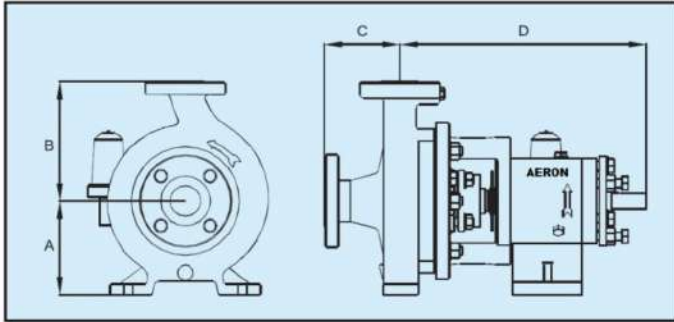




Manufacturing and Supplying Wide Range of Industrial Pumps and Industrial Products

DIMENSION



Series	Pump Size	Suction Size	Delivery Size	A	B	C	D	Flange Drilling As per ANSI-B-16.5 RF					
								Suction Hole			Delivery Hole		
								PCD	Size	No	PCD	Size	No
SS	32X25X130	32	25	100	125	75	315	85	16	4	79.4	16	4
	32X25X180	32	25	132	145			85	16		79.4	16	
	40X25X150	40	25	132	165	105	345	98.4	16		79.4	16	
	50X40X150	50	40					120.6	19		98.4	16	
	80X50X150	80	50	152.4	19	120.6	19						
	40X25X200	40	25	98.4	16	79.4	16						
	80X40X200	80	40	152.4	19	98.4	19						
	80X50X200	80	50	152.4	19	120.6	19						

SS 316 PUMP PERFORMANCE TABLE

Sr No	Model	HP	RPM	Suc X Dis	Imp Dia MM	Q= m ³ /hr & H= meter								Shut off head in meter
						Q	0	2	4	5	6	7	8	
1	SS 32X25X110	1	2900	32x25	110	Q	0	2	4	5	6	7	8	18
						H	18	13	11	8	5	2	0	
2	SS 32X25X120	2	2900	32x25	120	Q	0	2	5	8	10	12	15	20
						H	20	18	15	11	7	5	0	
3	SS 32X25X130	3	2900	32x25	130	Q	0	2	5	10	12	15	18	24
						H	24	23	22	21	17	15	0	
4	SS 50X40X150	3	2900	50x40	150	Q	0	7	9	11	13	17	19	25
						H	25	22	19	15	10	5	0	
5	SS 32X25X180	5	2900	32x25	180	Q	0	5	10	15	20	25	30	45
						H	45	42	40	36	32	22	0	
6	SS 50X40X150	5	2900	50x40	150	Q	0	7	16	22	25	27	30	36
						H	36	32	28	25	22	15	0	
7	SS 40X25X150	5	2900	40x25	150	Q	0	7	16	22	25	27	30	38
						H	38	34	31	27	24	20	0	
8	SS 80X50X150	7.5	2900	80x50	150	Q	0	25	35	45	65	85	95	32
						H	32	30	28	25	22	20	0	
9	SS 40X25X200	12.5	2900	40x25	200	Q	0	10	15	20	25	30	35	62
						H	62	60	57	55	50	45	0	
10	SS 80X40X200	20	2900	80x40	200	Q	0	25	30	40	50	55	65	54
						H	54	52	50	45	40	35	0	
11	SS 80X50X200	25	2900	80x50	200	Q	0	8	16	20	25	30	35	62
						H	62	50	40	30	20	10	0	



A2-105, Shubh Innovate Ind Co-op.Soc.Ltd, Gokhiware,
Opp Chinchpada Bus Stop, Waliv Road, Vasai (East),
Dist. Palghar - 401 208, Maharashtra, India.



+91-8097603866 /+91-9616032524



aeronpumps@gmail.com



www.aeronengineering.com

