



ProSeries 200™

ELECTRIC VALVES

Models 7201 / 7202 / 7215

PRODUCT FEATURES:

- Durable glass-filled nylon construction and reinforced rubber diaphragm ensures long life and reliable performance.
- Turn solenoid on/off handle for operation with no power.
- Flow control to adjust water flow as needed (#7201, 7215, 7202).
- Large internal openings and self-cleaning diaphragm during every cycle reduces maintenance time.
- Top flow indicator ensures proper installation every time.
- Electric or Manual operation.3.Solenoid on/off handle must be fully closed for proper valve operation.

INSTALLATION INSTRUCTIONS

SPECIFICATIONS

- Standard solenoid: 24 VAC
- Pressure range: 6-200 psi
- Voltage: 24 VAC, 60 Cycle, .43 Amps Inrush, .25 Amps Holding

BEFORE INSTALLATION

1. Flush system thoroughly before installing valves.
2. Make sure you have sufficient water supply, pressure & flow.

INSTALLING VALVE WITH ADAPTERS

1. Wrap adapters with 2 or 3 complete wraps of Teflon tape around threads.
2. Hand tighten adapters into valve.
3. Carefully tighten the adapters one additional turn past hand tight.
4. Do not use flow control handle as a lever.

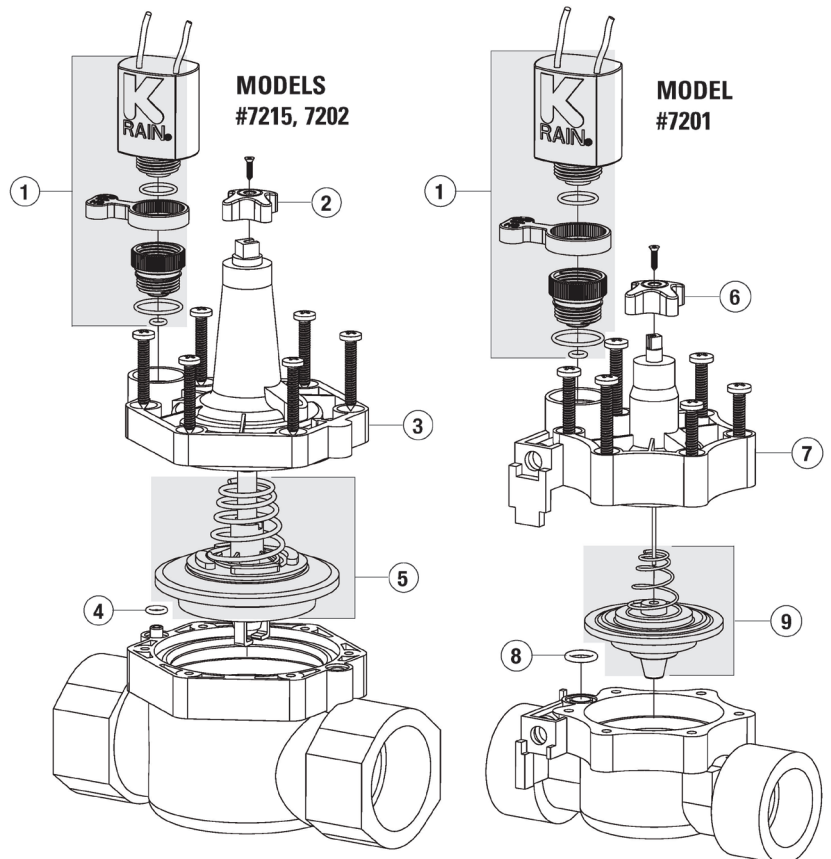
CAUTION: DO NOT OVER-TIGHTEN ADAPTERS!

OPERATING VALVE MANUALLY

1. Turn solenoid on/off handle 180 degrees counter-clockwise to open valve.
2. Turn solenoid on/off handle 180 degrees clockwise to close valve.
3. Solenoid on/off handle must be fully closed for proper valve operation.

ProSeries 200 Parts List

MODEL NO.	DESCRIPTION
P3008113-200	Solenoid w/Adapter Assembly
P0370210	Flow control Handle w/Screws
P0370211	Valve Bonnet (top) w/Screws (7215, 7202)
P0370212	O-ring (7215, 7202)
P0370230	Diaphragm Assembly w/Spring (7215, 7202)
P0370110	Flow control Handle w/Screws (7201)
P0370111	Valve Bonnet (top) w/Screws (7201)
P0370112	O-ring (7201)
P0370130	Diaphragm Assembly w/Spring (7201) T





ProSeries 200™ ELECTRIC VALVES

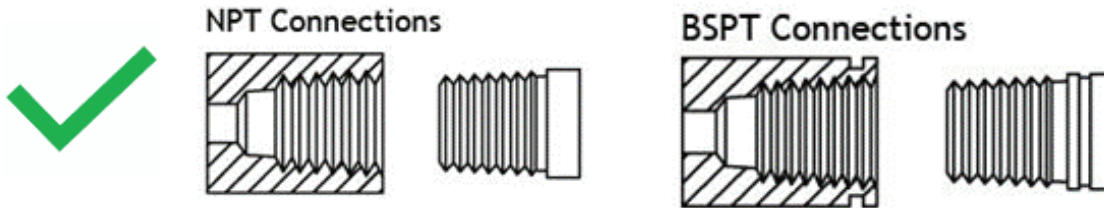
1. INLET / OUTLET CONNECTIONS

1.1 Threaded Valves:

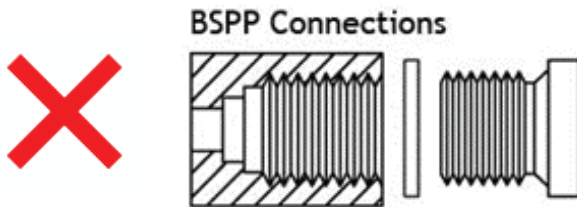
K-Rain electric valves are available with either NPT (National Pipe Thread) or BSPT (British Standard Pipe Thread). All valves with a BSPT thread will be marked as either BSPT or BSP on the valve body. Most valves with NPT thread are marked as such on the valve body. However some models of valve are not marked NPT and these will be NPT threaded by default.

Note: Though not typically used in the irrigation industry there is a BSPP (British Standard Parallel Pipe) thread. A BSPP fitting may cause damage and or not seal if threaded into a BSPT threaded valve.

PROPER FITTINGS / PIPE / NIPPLES – HAVE TAPER THREADED SECTION

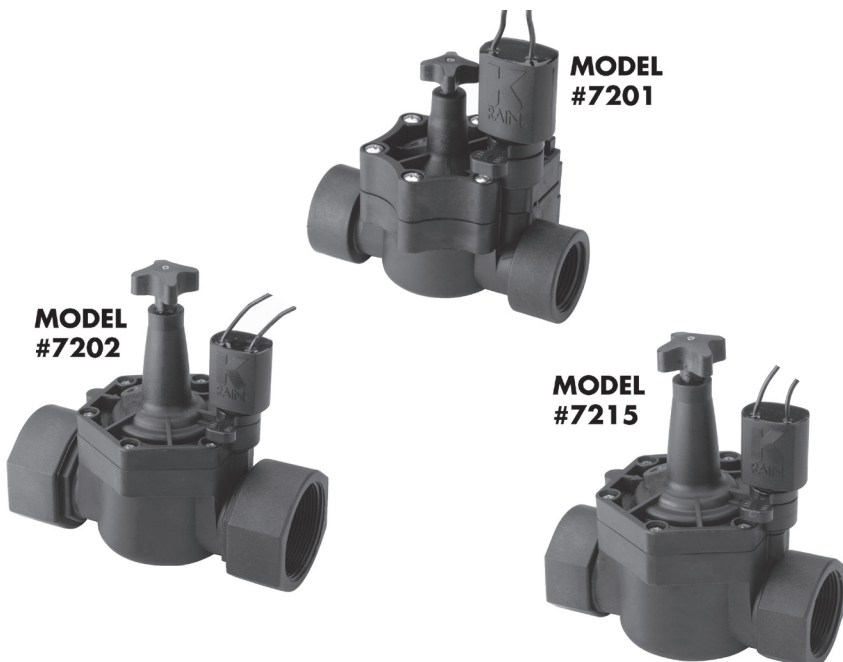


WRONG FITTING / PIPE / NIPPLES – HAVE STRAIGHT (PARALLEL) THREADED SECTION



2. TEFLON TAPE:

K-Rain recommends using white Teflon tape ONLY to seal the threads - wrapping the fitting with a maximum of 3 layers of tape clockwise in relation to the threads of the fitting facing you. Make sure that there is no tape hanging off the end of the fitting before inserting into the valve as this may cause the valve to malfunction. Hand tighten the fitting into the valve and then 1 1/2 additional turns with a pipe wrench or pliers.



K-Rain Manufacturing Corp.
1640 Australian Avenue
Riviera Beach, FL 33404 USA
PH: 561.844.1002 | 1.800.735.7246
FAX: 561.842.9493
www.krain.com