

## MRM / MTS SERIES Complete range of Radar level sensor FOR SOLIDS, LIQUIDS AND POWDERY MATERIAL

Principle of operation:

Radar Level Antenna emits narrow microwave pulses that transmitted down by the antenna. The microwave comes into contact with the measured medium surface then reflected back and receiving by the antenna system. The signal is transmitted to electronic circuit and partly concert to level signals.

**Application:** Solids, Liquids, Powdery material including corrosive material like Acids

**Measurement Span:** 15m/20m/35m (powder);  
20m/30m/45m (particle);  
35m/45m/55m(lump materials)  
0-1m...70m(liquids)

**Process Connection:** Multidirectional flange or Screw type

**Medium Temperature Span:** -40~250 °C

**Process Pressure:** -1Bar~1 Bar

**Accuracy:** ±15mm

**Proof Grade:** IP67

**Supply:** DC24V or 85-265VAC

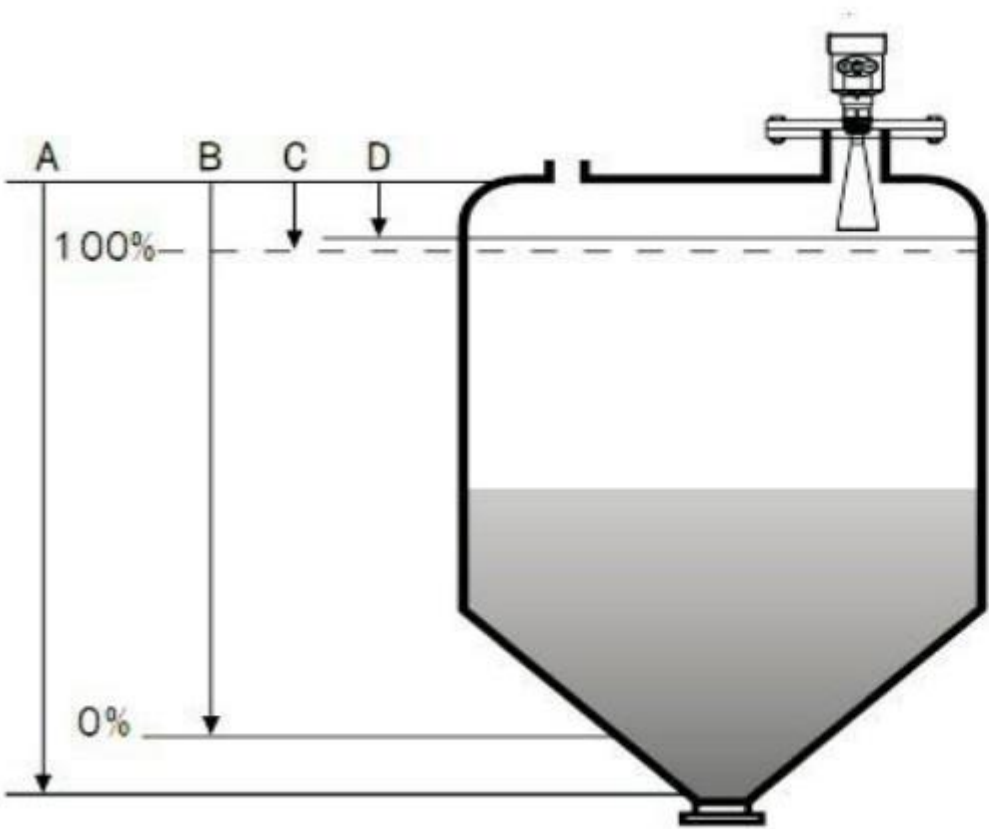
**The Frequency Span:** up to 26G Hz

**Explosion proof grade:** Exib II CT6 Gb

**Signal Output:** 4...20mA/HART (2 wires/4 wires)

RS485/Modbus





- A Measuring range setting
- B Min. adjustment
- C Max. adjustment
- D Near blanking

Parallel Display if PLC is not used at site

