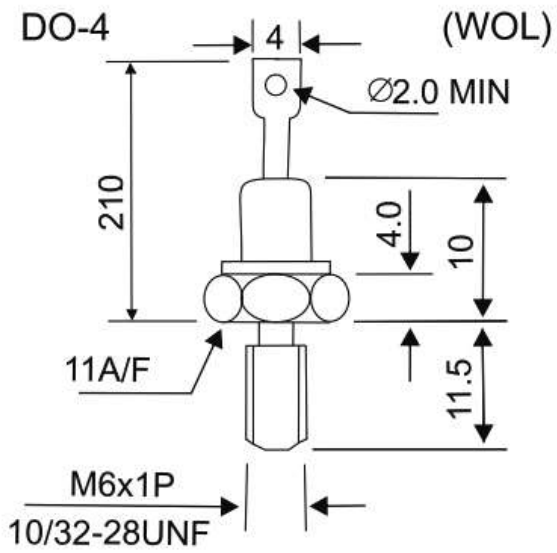


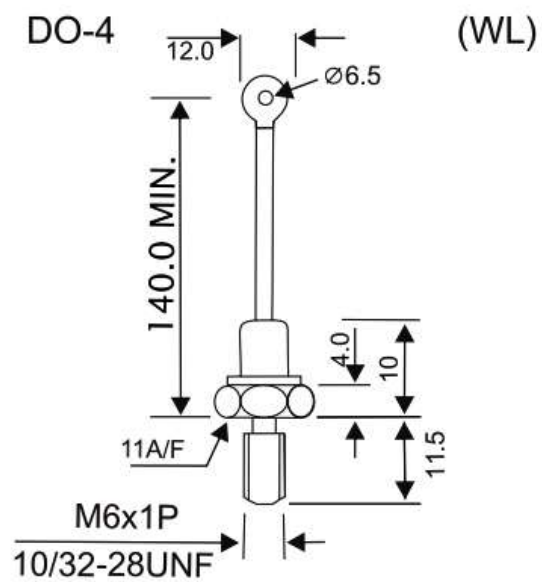
RECTIFIER DIODES

// STUD / FLAT / SQUARE BASE //

Device Type	V _{RRM} (V)	I _{F(AV)} (A)	T _C (°C)	V _{FM} @ I _{peak} (V)	I _{FSM} (A)	I ² A ² Sx10 ³	I _{RRM} (mA)	R _{th(j-c)} (°C/W)	Mounting Torque (Nm)	Heat Sink Rec	Thread	Package	Out- line
ES6N/R	400-1600	6	160	1.10	159	0.127	2	2.5	2	K1	M-6	DO-4	A
ES12N/R	400-1600	12	160	1.30	265	0.351	2	2.0	2	K1	M-6	DO-4	A
ES16N/R	400-1600	16	160	1.20	350	0.612	4	1.6	2	K1	M-6	DO-4	A
ES25N/R	400-1600	25	140	1.35	400	0.80	4	1.5	2	K1,K2	M-6,10/32"	DO-4,5	A,B
ES40N/R	400-1600	40	140	1.35	500	1.25	10	1.0	4	K2,K3	M-6,M-8, 1/4"	DO-5	B
ESPAO40A/C	800-1000	40	140	1.35	500	1.25	10	1.0	4	RRA	M-8	DO-5	B
ES70N/R	400-1600	70	140	1.35	1200	7.1	10	0.45	4	K3,K4	M-6,M-8, 1/4"	DO-5	C
ES100N/R	400-1600	100	130	1.50	2200	24.0	15	0.40	10	K4,K5	M-16,Flat	DO-8	E,D
ES150N/R	400-1600	150	130	1.40	3570	64.0	22	0.25	10	K4,K5	M-16,Flat	DO-8	E,D
ES200N/R	400-1600	200	130	1.35	3650	66.6	22	0.25	10	K4,K5	M-16,Flat	DO-8	E,D
ES250N/R	400-1600	250	130	1.35	4500	92.5	40	0.18	30	K5	M-20,Flat	DO-9	F,G
ES300N/R	400-1600	300	130	1.40	5000	125.0	50	0.12	30	K5	M-20,Flat	DO-9	F,G
ES320N/R	400-1600	320	130	1.65	5500	151.0	50	0.12	30	K5	M-20,Flat	DO-9	F,G
ES350N/R	400-1600	350	125	1.20	6000	180.0	50	0.12	30	K5	M-20,Flat	DO-9	F,G
ES400N/R	400-1600	400	120	1.62*	8250	340.0	50	0.12	50	K5	M-24,Flat	DO-9	J,F
ES410N/R	1200-3600	410	120	1.15*	7000	245.0	50	0.15	15/Bolt	ED,K5	Flat	U	U
ES570N/R	1200-4300	570	80	1.65*	12000	725.0	50	0.065	15/Bolt	ED	Flat	U	U
ES860N/R	1200-1800	860	80	1.65*	16000	725.0	50	0.065	15/Bolt	ED	Flat	U	U

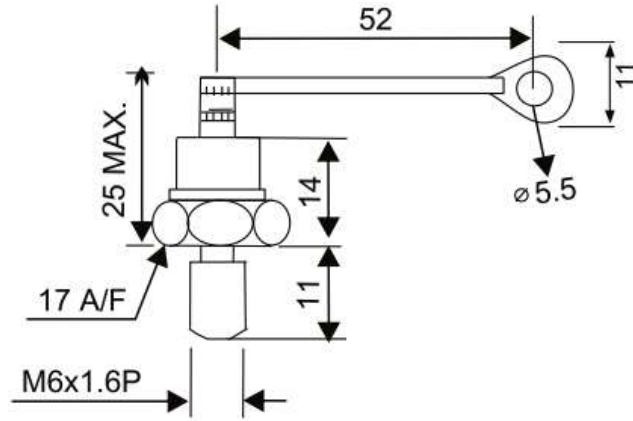


AD

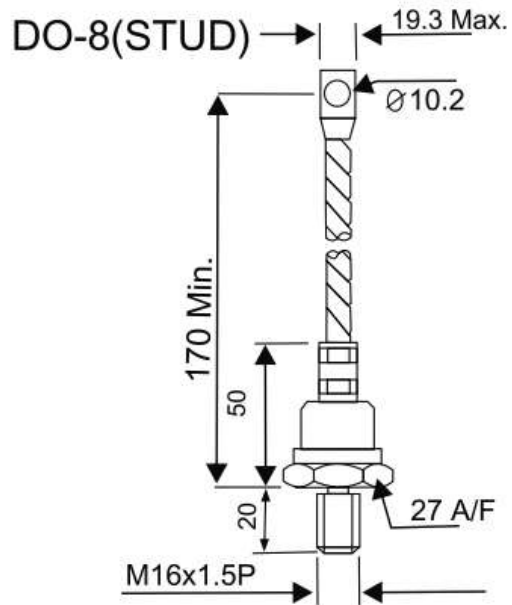


AD

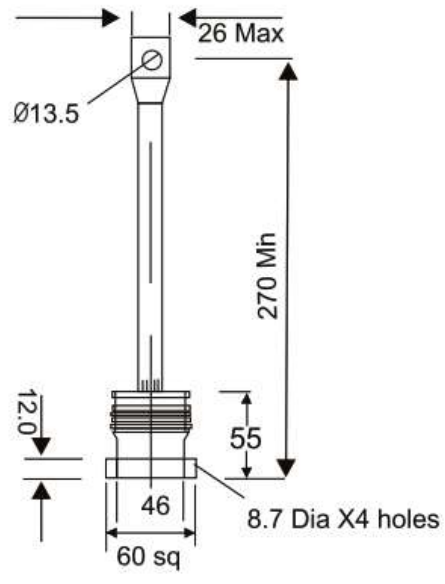
ND 40



ND



DD



UD