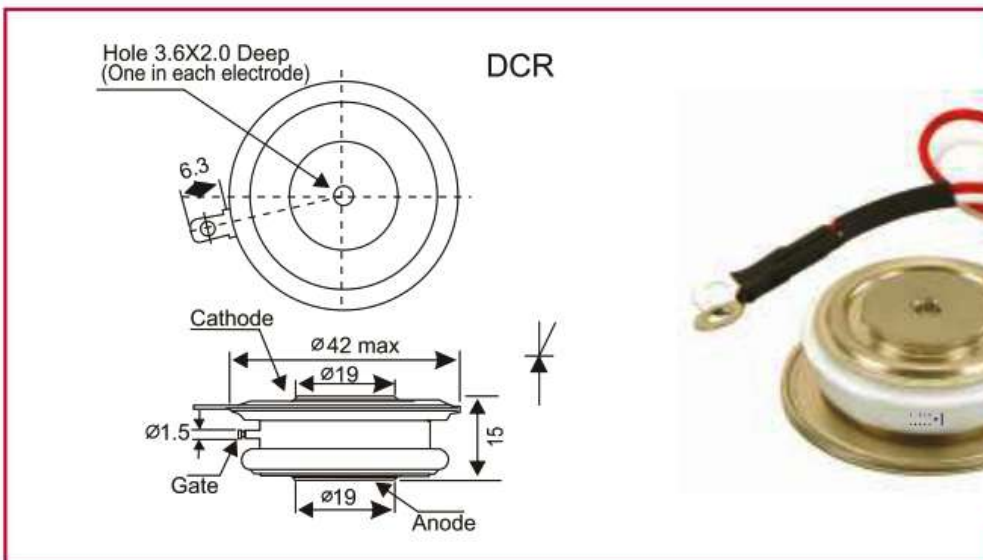


# PHASE CONTROL THYRISTORS

// CAPSULE TYPE //

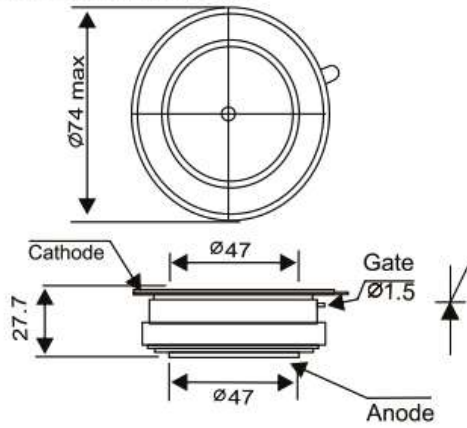
Device Type	$V_{RRM}/V_{DRM}$ (V)	$I_{T(AV)}$ (A)	$T_c$ (°C)	$V_{TM}$ (V)	$I_{TM}$ (A)	$I_{TSM}$ (A)	$di/dt$ (A/mS)	$dv/dt$ (V/mS)	$I_{GT}$ (mA)	$V_{GT}$ (V)	$I_{RRM}/I_{DRM}$ (mA)	$T_{VJ}$ (°C)	$R_{th(j-a)}$ (°C/W)	Mounting Force (KN)	Out-line
DCR504	1200-1800	456	60	1.75	1000	5500	350	200	150	3.0	30	125	0.0830	4.5	T
DCR604	1400-2100	706	60	1.625	1000	6500	350	1000	150	3.0	30	125	0.0590	8.0	E
DCR807	1600-2900	670	80	2.00	1600	9000	300	300	200	3.5	50	125	0.0420	12.5	G
DCR804	1600-2100	1045	60	1.625	1600	11200	500	1000	200	3.5	50	125	0.0420	12.5	G
DCR1278	3200-4200	1100	60	2.125	2900	16400	100	300	400	4.0	100	125	0.0260	20.0	D
DCR1006	1400-2900	1255	60	1.875	2900	16400	250	300	200	3.5	100	125	0.0260	20.0	D
DCR1277	3200-3600	1259	60	2.025	2900	19000	100	300	400	4.0	150	125	0.0240	20.0	D
DCR1004	1600-2100	1511	60	1.65	2900	21000	500	1000	200	3.5	100	125	0.0260	20.0	D
DCR1279	4400-4800	1088	60	2.40	2900	15000	100	200	400	4.0	150	125	0.0240	20.0	D
DCR1002	1000-1800	1850	60	1.30	2900	26000	500	1000	200	3.5	100	125	0.021	20.0	D
DCR1476	3400-3800	2500	60	1.875	2900	29000	150	500	400	4.0	250	125	0.0115	43.0	Y
DCR1474	1400-1800	3600	60	1.300	2900	49000	150	1000	400	4.0	250	125	0.0115	43.0	Y



T

2 holes  $\varnothing 3.6$  X 2.0 Deep  
(One in each electrode)

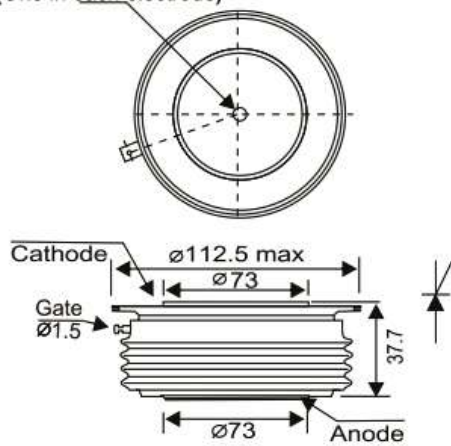
R1275



N

2 holes  $\varnothing 3.6$  X 2.0 Deep  
(One in each electrode)

DCR



Y