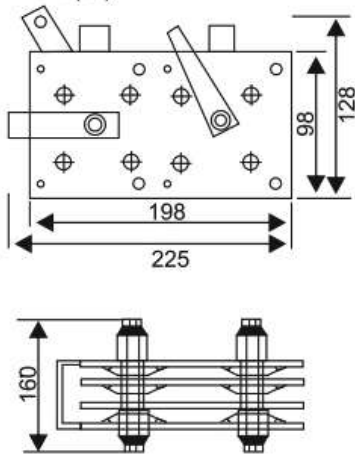


WELDING STACKS

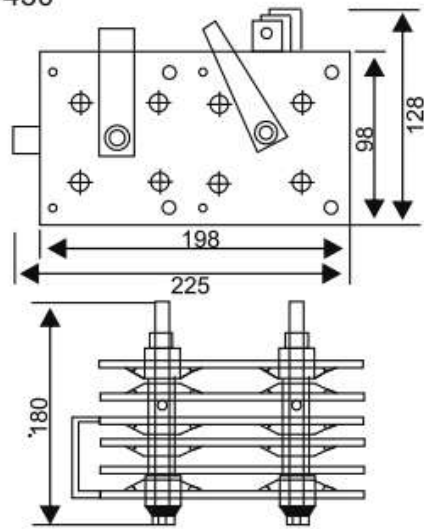
// BUTTON DIODE TYPE //

Device Type	V _{RRM} (V)	Phase	I _{T(AV)} (A)	T _C (°C)	I _{RRM} (mA)	V _{FM} (V)	I _{FM} (A)	I _{FSM} (A)	Duty Cycle @ 60% (A)	Wind Speed (M/S)	Outline
ESPTB-450(S)	400-600	1-f	450	100	20	1.3	450	3600	270	3.0	ES-22
ESPTB-450	400-600	3-f	450	100	20	1.3	450	3600	270	3.0	ES-23
ESPTB-600	400-600	3-f	600	100	22	1.3	600	4500	360	3.0	ES-24
ESPTB-900	400-600	3-f	900	100	25	1.3	900	5500	540	3.0	ES-25
ES PTB-1200	400-600	3-f	1200	100	30	1.3	1200	6500	720	3.0	ES-25

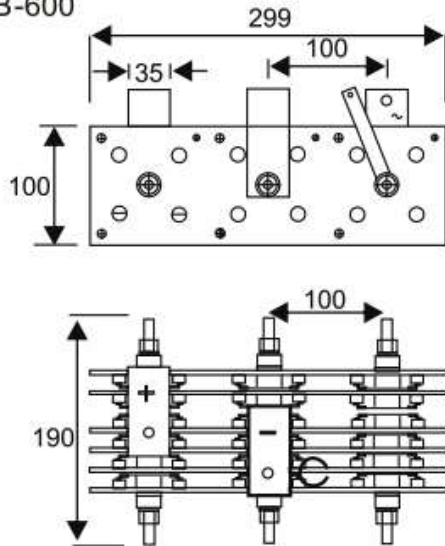
ESPTB-450(S)



ESPTB-450



ESPTB-600



ESPTB-900|1200

