

Optimised Fabric Mending



www.yashtex.com

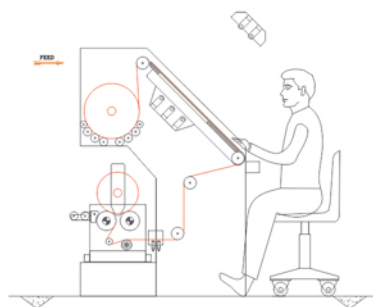
Features & Options

- Uniform fabric tension
- Full forward & Reverse run
- Top & Bottom illumination
- Counter meter for length measurement
- Selvege guider for winding straight rolls



Mending

Indiana Mend



MM