

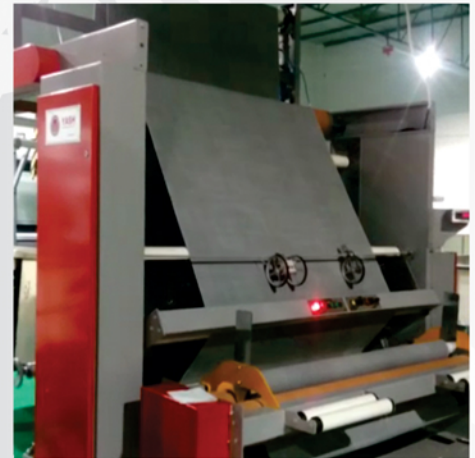
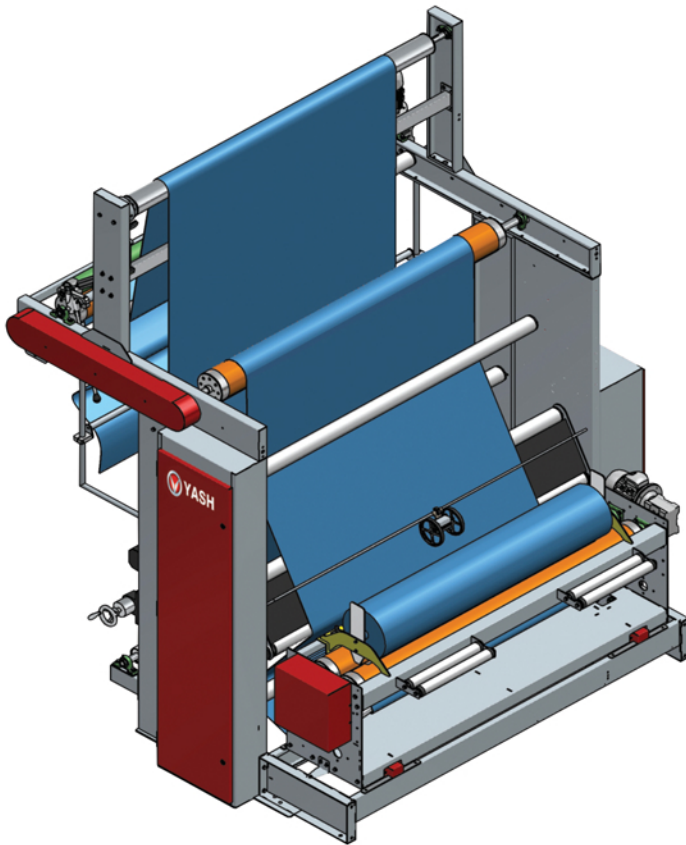
# Efficient Fabric Rolling



www.yashtex.com

## Features & Options

- Uniform fabric tension
- Full forward & Reverse run
- Counter meter for length measurement
- Edge and Center Slitting
- Selvage shifting device for thick selvage.
- Selvage guider for winding straight rolls
- Variable roll compactness
- Rolling face-In or face-out possibility
- Single or twin auto cross cutting system
- Auto roll weighing, taping, wrapping system
- Adaptable to logistics and packing system



Fabric Rolling

Rollmatic Premier

