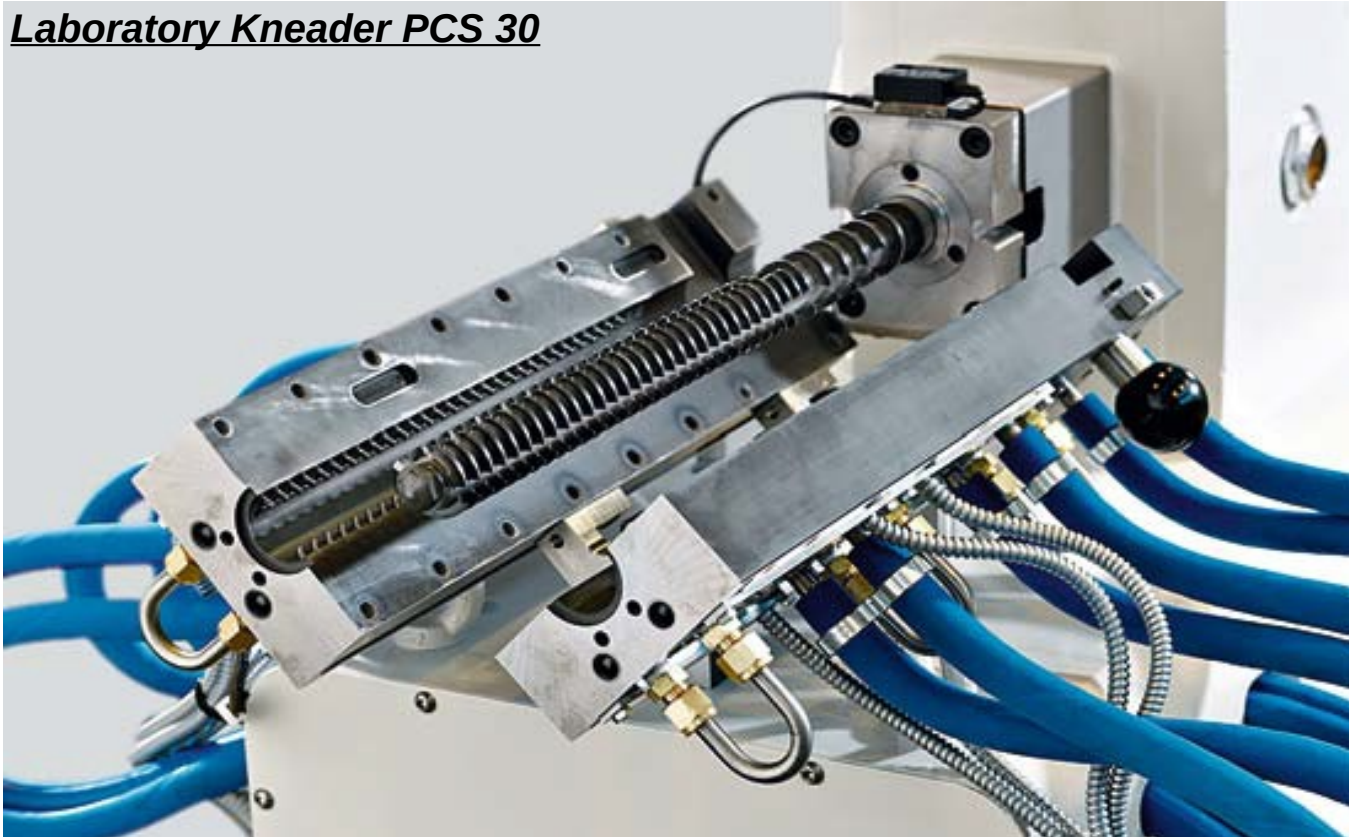


Laboratory Kneader PCS 30



The Clarion make laboratory Kneader PCS 30 is a versatile, compact small scale compounding extruder for research and development, color / shade matching and customer sampling. This easy, economical, user-friendly laboratory kneader offers similar process characteristics as production scale PCS series machines. Samples from 300gms up to 40 kg/h. Based on its process scale-up capabilities it qualifies as a universal laboratory compounder offering a high grade of efficiency and flexibility.

Standard Features and Advantages

- Representative data from laboratory samples
- Throughput rates up to 20 - 40 kg/h
- Standard Split barrel design for easy access and cleaning, easy maintenance
- Fine temperature control with independent heating Cooling Zones
- Standard segmented screw, Liners for easy replacement of wear parts
- Variable screw speed to match desired properties
- Optional - Feed Screw with hopper can be installed for small batches
- Optional – Cooling Roller with belt for the small batch production

Technical Data

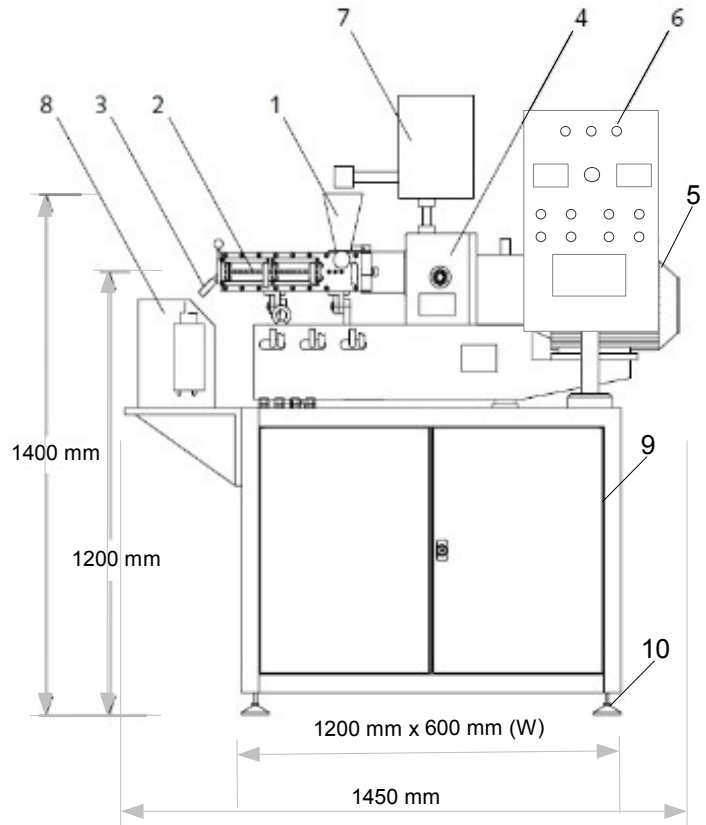
Inlet Hopper volume	1 litre
Process length ratio	11 L/D
Screw diameter	30 mm
Screw speed up to	500 rpm
Drive capacity	5.5 kW

Temperature control

Temperature Max up to	140°C
Heating capacity	6 kW
Heating media	Electrical
Cooling media	Water

Dimensional data (without Chill Rolls & without volumetric feeder, refer dimensional Drg.)

Feeding height	1400 mm
Discharge height	1200 mm
Overall sizes (LxWxH) mm	1450 x 600 x 1400



Machine Mounted on Table

Table Sizes (LxWxH) mm	1200 x 600 x 600
------------------------	------------------

Detailed List of Basic Components

- 1 - Inlet hopper
- 2 - Complete barrel assembly with Screw Elements & Liners set fitted on barrel
- 3 - Discharge die with cooled chute
- 4 - Gearbox with Motor drive
- 5 - Main Drive Motor
- 6 - Operator panel with all standard accessories
- 7 - Volumetric Feeder Assembly (Optional)
- 8 - Chill Rolls (Optional)
- 9 - Base Table with Heat Cool Unit
- 10 - Leveling Screws

Please note that the dimensions may vary or change as a part continual improvement in our machines. Also Special Designs / Special Applications like plastic PVD Compounding machines are also available on request.

Please contact us for your trade inquiry.