

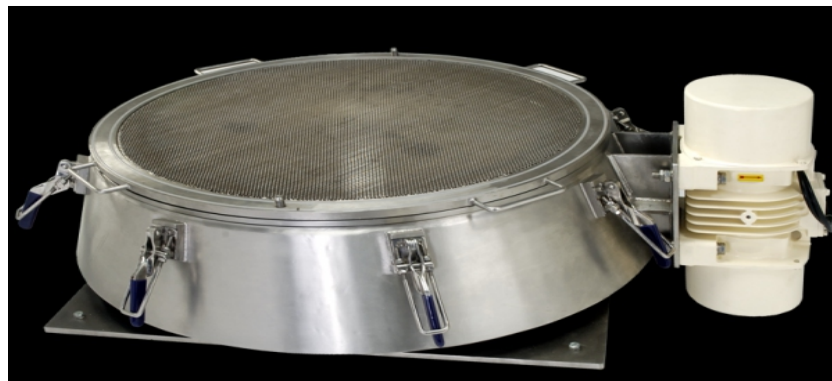
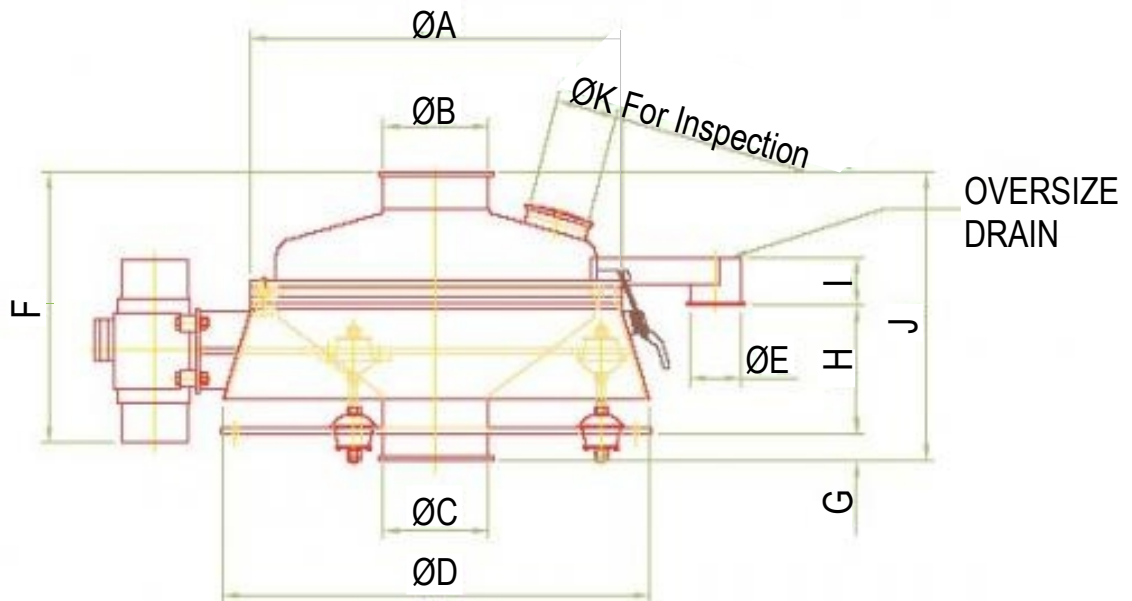
Basic Features of CVS Series Vibro-Seivers by Clarion Enterprises

1. Light weight & easy to handle.
2. Easy Assemble & very low time for cleaning.
3. Efficient & Clean Operations.
4. Can be fitted online with other machines, addition of additives, dust pipeline.
5. Single Deck or Multiple deck design, even customised solutions.
6. Very low Metainenace as compared with other options of sievers.
7. Can Handle almost all types dry & wet materials.
8. Direct Vibrations to screen results in self cleaning of screen during operations.



Contact us for your specific requirements, we will provide the best solutions for screening & grading of dry & wet materials.

CVS Series Vibro Seiver



Specifications of CVS Series Vibro Seiver

Model No.	$\varnothing A$	$\varnothing B$	$\varnothing C$	$\varnothing D$	$\varnothing E$	F	G	H	I	J	K	Motor HP
CVS - 05	560	168	198	668	76	400	50	125	90	450	100	0.5
CVS - 1	730	204	204	840	100	500	50	245	90	550	100	1
CVS - 2	1010	300	300	1180	100	600	75	275	90	675	100	2

Please note that the sizes may vary / design may change as apart of continual improvement.

Models above CVS-2 are also available on specific request, OR customised solutions can be offered.

Customised Solutions in vibro-seiver

1. Multiple motors for high power
2. Multi Deck with Hinge
3. Multiple Mounting Options
4. Various MOC
5. Mesh with Bouncing Balls
6. Mesh with magnetic separator
7. Addition of additives online
8. Fix mesh / removable type
9. Dust suction pipeline
10. Food / Chemical Grade seals



11. Design of Seiver can be Square OR rectangular with various levels & screens
12. Screens with ultrasonic system can be provided
13. Customised solutions can be offered on specific request.