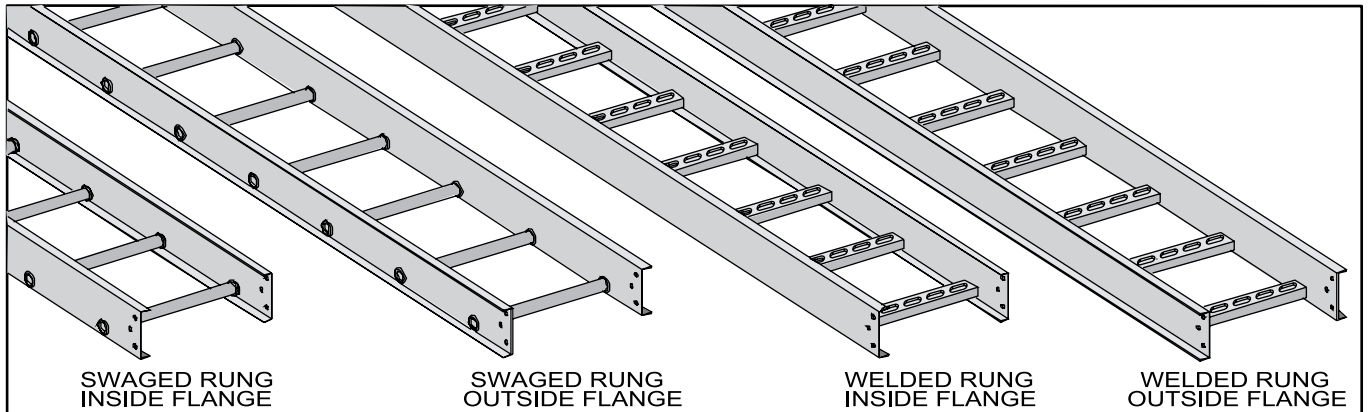


CABLE LADDER

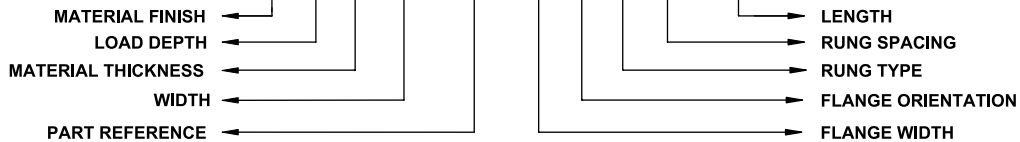
MID-EAST CABLE SUPPORT SOLUTIONS (MECSS) CABLE LADDERS are designed for Light Duty, Medium Duty and Heavy Duty cable loading requirements with your choice of SWAGED TUBULAR or C-PROFILE Rungs. Both provide the advantages to cross long unsupported spans with fewer supports. Available lengths are 2.44, 3.00, 3.657, 6.00 and 7.315 meters respectively. Standard finishes are Hot Dip Galvanized After Fabrication (HDGAF) finish and 6063-T6 Extruded Aluminum. Other materials and finishes can be supplied on request.



HOW TO ORDER BY CATALOG NUMBER

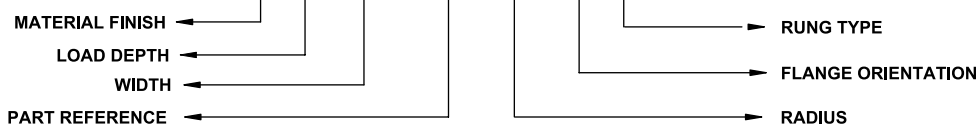
STRAIGHT SECTION

H 1 1 30 ST / 2 O P 1 - 24



FITTINGS

H 1 30 9HB 3 / O P



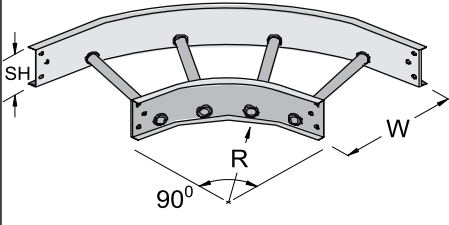
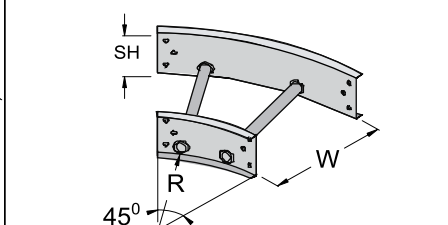
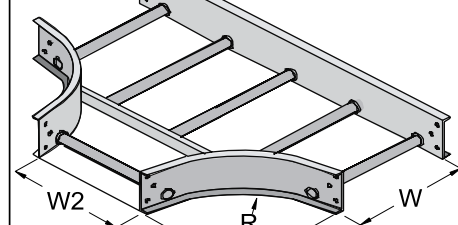
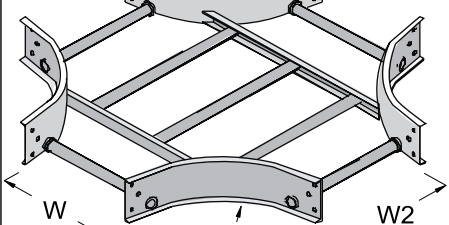
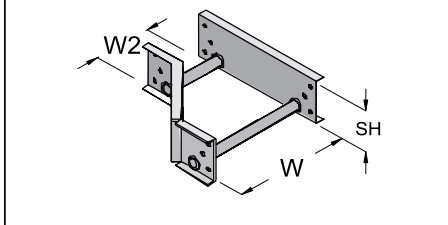
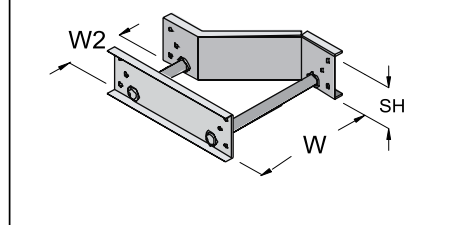
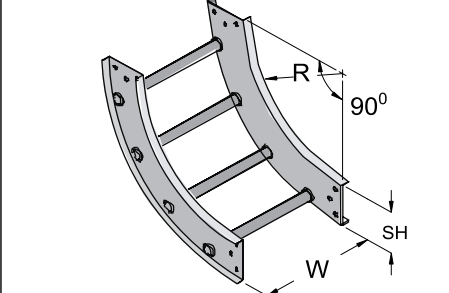
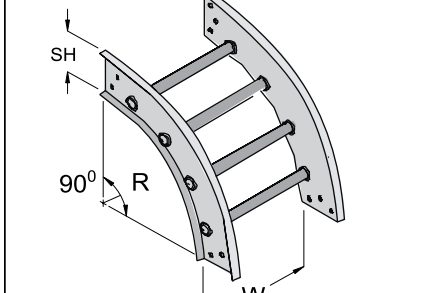
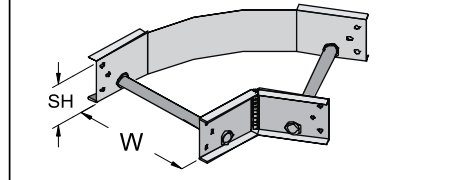
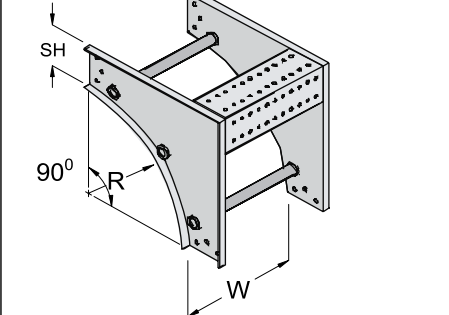
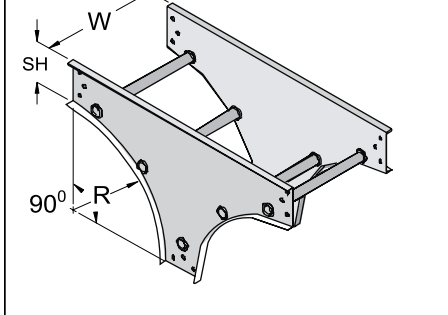
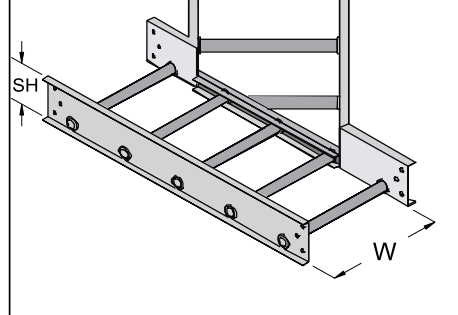
ORDERING INFORMATION

MATERIAL FINISH	LOADING DEPTH	MATERIAL THICKNESS	WIDTH	PART REFERENCE
H - HDGAF	1 - 75mm 3 - 125mm	1 - 1.0mm 4 - 2.0mm	10 cm 45 cm	ST - STRAIGHT
A - ALUMINUM	2 - 100mm 4 - 150mm	2 - 1.2mm 5 - 2.5mm	15 cm 60 cm	9HB - 90 DEG HORIZONTAL BEND
P - PAINTED		3 - 1.5mm	25 cm 75 cm	TH - HORIZONTAL TEE
S - STAINLESS STEEL		FOR HEAVY DUTY ALUMINUM	30 cm 90 cm	XH - HORIZONTAL CROSS
		6 - 3.5mm		SR - STRAIGHT REDUCER
		7 - 4.8mm		
FLANGE WIDTH		FLANGE ORIENTATION	RUNG SPACING	LENGTH
PLAIN TYPE	RETURNED	O - OUTWARD	1 - 150mm	24 - 2440mm 60 - 6000mm
1 = 20mm 4 = 40mm	A = 20mm D = 40mm	I - INWARD	2 - 250mm	30 - 3000mm 73 - 7315mm
2 = 32mm 5 = 50mm	B = 32mm E = 50mm	RUNG TYPE	3 - 300mm	36 - 3657mm
3 = 38mm	C = 38mm	P - PIPE RUNG		RADIUS (for Fittings)
		C - SLOTTED C-TYPE RUNG		3 - 300mm
				6 - 600mm
				9 - 900mm

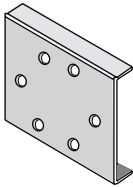
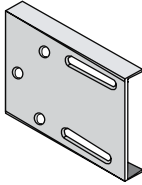
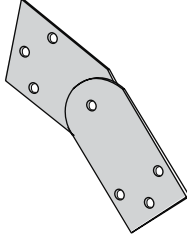
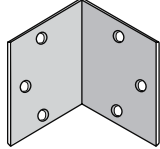
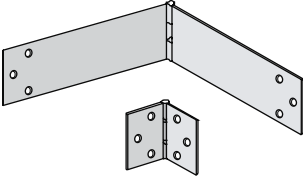
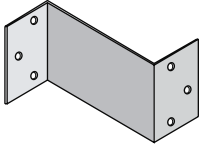
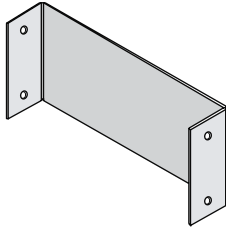
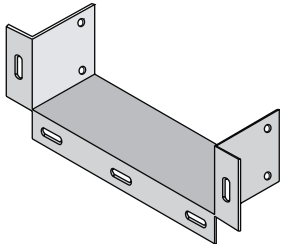
NOTE : Please consult factory for other sizes / dimensions and weights that are not in this catalogue.

CABLE LADDER

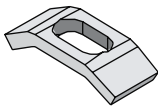
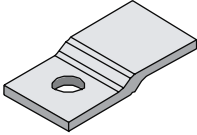
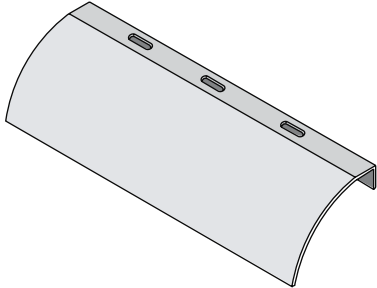
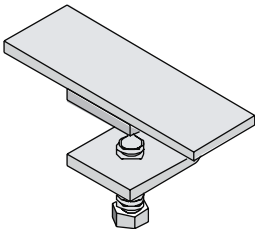
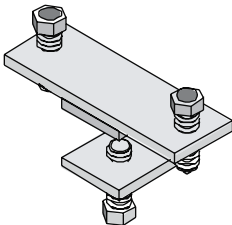

FITTINGS

<p>Part Ref. : 9HB</p>  <p>90° HORIZONTAL BEND</p>	<p>Part Ref. : 4HB</p>  <p>45° HORIZONTAL BEND</p>	<p>Part Ref. : TH</p>  <p>HORIZONTAL TEE</p>
<p>Part Ref. : XH</p>  <p>HORIZONTAL CROSS</p>	<p>Part Ref. : RH</p>  <p>RIGHT HAND REDUCER</p>	<p>Part Ref. : LH</p>  <p>LEFT HAND REDUCER</p>
<p>Part Ref. : 9RI</p>  <p>90° INTERNAL RISER</p>	<p>Part Ref. : 9RE</p>  <p>90° EXTERNAL RISER</p>	<p>Part Ref. : HAB</p>  <p>HORIZONTAL ADJUSTABLE BEND</p>
<p>Part Ref. : 9VSB</p>  <p>90° VERTICAL SUPPORT BEND</p>	<p>Part Ref. : VT</p>  <p>VERTICAL TEE</p>	<p>Part Ref. : YBR</p>  <p>WYE BRANCH, RIGHT HAND</p>

CONNECTORS

<p>Part Ref. : CS</p>  <p>STANDARD CONNECTOR</p>	<p>Part Ref. : EXC</p>  <p>EXPANSION CONNECTOR</p>	<p>Part Ref. : VAC</p>  <p>VERTICAL ADJUSTABLE CONNECTOR</p>	<p>Part Ref. : RAC</p>  <p>RIGHT ANGLE CONNECTOR</p>
<p>Part Ref. : HAC</p>  <p>HORIZONTAL ADJUSTABLE CONNECTOR</p>	<p>Part Ref. : RC</p>  <p>REDUCING CONNECTOR</p>	<p>Part Ref. : SE</p>  <p>STOP END</p>	<p>Part Ref. : CB</p>  <p>BOX CONNECTOR</p>

ACCESSORIES

<p>Part Ref. : CHD</p>  <p>HOLD DOWN CLAMP</p>	<p>Part Ref. : CEG</p>  <p>EXPANSION GUIDE</p>	<p>Part Ref. : FO</p>  <p>FALL OUT PIECE</p>
<p>Part Ref. : CEG 2B</p>  <p>EXPANSION GUIDE BEAM CLAMP TYPE</p>	<p>Part Ref. : CHD 3B</p>  <p>HOLD DOWN CLAMP BEAM CLAMP TYPE</p>	<p>Part Ref. : EJJ</p>  <p>EARTHING JUMPER</p>