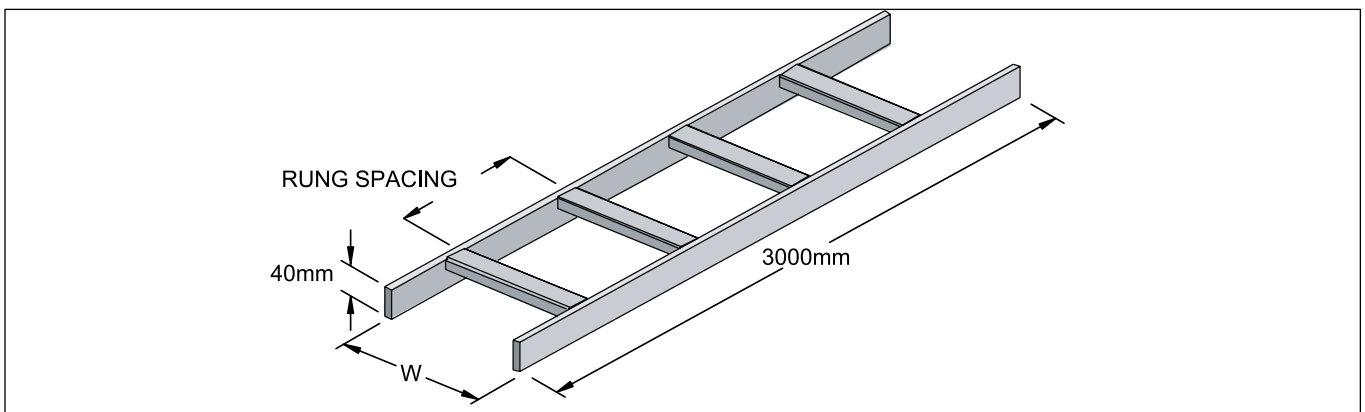
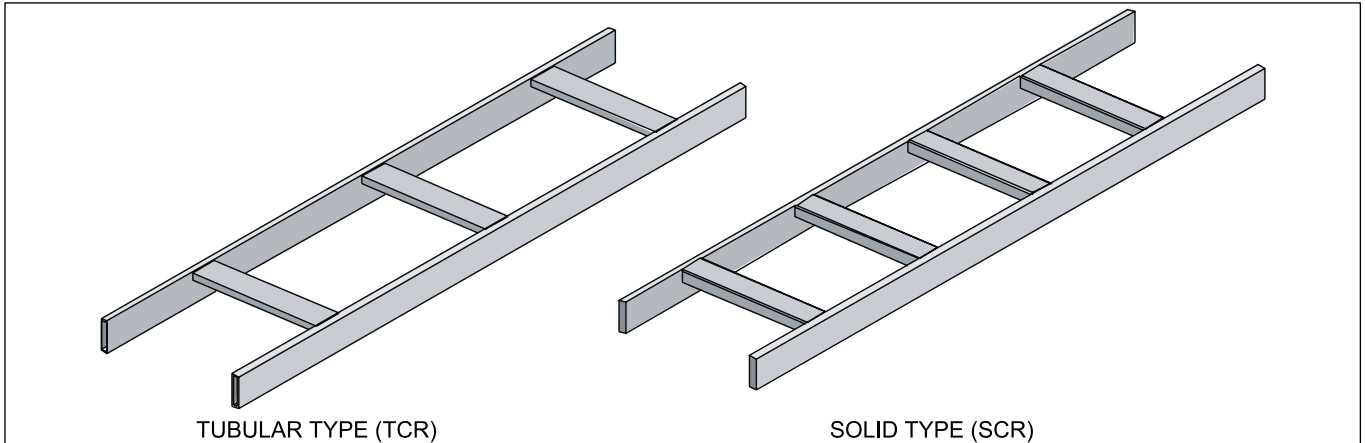


MECSS CABLE RUNWAY comes in two different designs, the TUBULAR TYPE (side members and rung materials are 40mm x 10mm x 1.5mm thick rectangular tube) and the SOLID TYPE (side members are 40mm x 10mm flat bar with 30mm x 15mm x 2.0mm thick U-type rungs. Rungs are welded into the side members. Standard material finishes are Hot Dip Galvanized After Fabrication (HDGAF) finish and Epoxy painted to RAL 7033 finish.



HOW TO ORDER BY CATALOG NUMBER

TUBULAR TYPE
PART REFERENCE : TCR_ / X

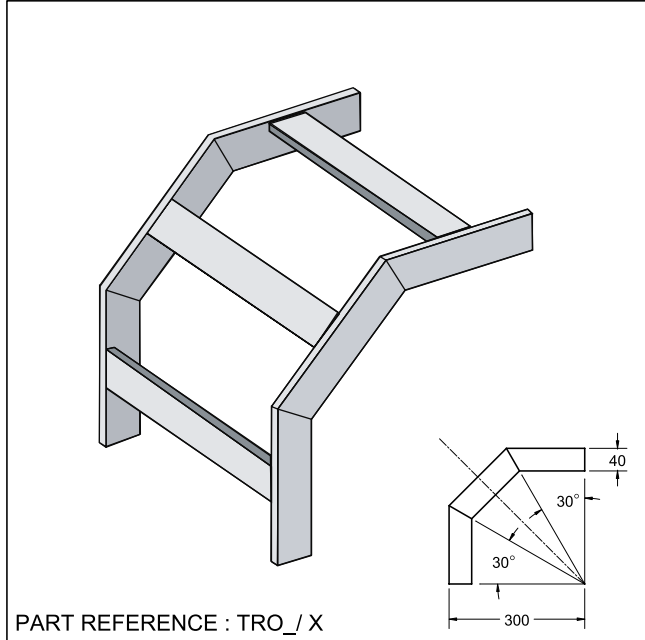
CATALOG No.	WIDTH (mm)	FINISH
TCR 15 / P	150	EPOXY PAINTED
TCR 30 / P	300	EPOXY PAINTED
TCR 45 / P	450	EPOXY PAINTED
TCR 60 / P	600	EPOXY PAINTED
TCR 75 / P	750	EPOXY PAINTED
TCR 15 / H	150	HDGAF FINISH
TCR 30 / H	300	HDGAF FINISH
TCR 45 / H	450	HDGAF FINISH
TCR 60 / H	600	HDGAF FINISH
TCR 75 / H	750	HDGAF FINISH

SOLID TYPE
PART REFERENCE : SCR_ / X

CATALOG No.	WIDTH (mm)	FINISH
SCR 15 / P	150	EPOXY PAINTED
SCR 30 / P	300	EPOXY PAINTED
SCR 45 / P	450	EPOXY PAINTED
SCR 60 / P	600	EPOXY PAINTED
SCR 75 / P	750	EPOXY PAINTED
SCR 15 / H	150	HDGAF FINISH
SCR 30 / H	300	HDGAF FINISH
SCR 45 / H	450	HDGAF FINISH
SCR 60 / H	600	HDGAF FINISH
SCR 75 / H	750	HDGAF FINISH

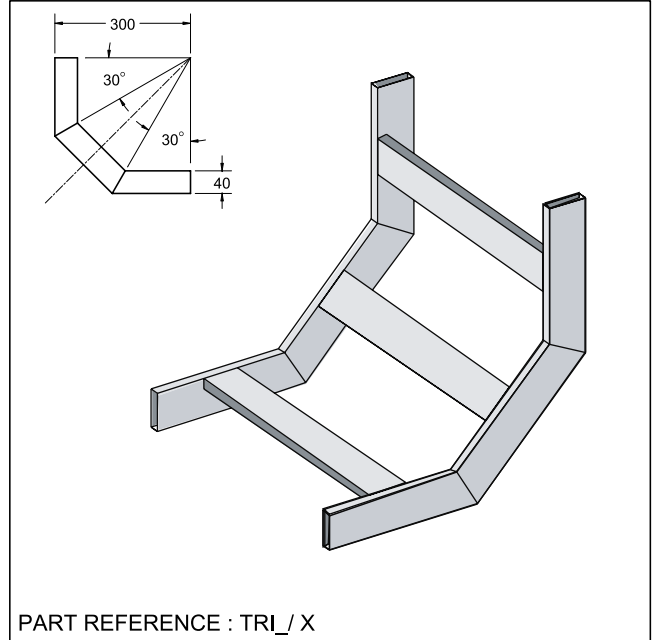
CABLE RUNWAY

OUTSIDE RISER



CATALOG No.	WIDTH mm	CATALOG No.	WIDTH mm
TRO 15 / X	150	SRO 15 / X	150
TRO 30 / X	300	SRO 30 / X	300
TRO 45 / X	450	SRO 45 / X	450
TRO 60 / X	600	SRO 60 / X	600
TRO 75 / X	750	SRO 75 / X	750

INSIDE RISER



CATALOG No.	WIDTH mm	CATALOG No.	WIDTH mm
TRI 15 / X	150	SRI 15 / X	150
TRI 30 / X	300	SRI 30 / X	300
TRI 45 / X	450	SRI 45 / X	450
TRI 60 / X	600	SRI 60 / X	600
TRI 75 / X	750	SRI 75 / X	750

ACCESSORIES

<p>PART REF: RSC</p> <p>RUNWAY SPLICE CLAMP</p>	<p>PART REF: RCC</p> <p>RUNWAY CORNER CLIP</p>	<p>PART REF: CRF</p> <p>CABLE RUNWAY FOOT</p>	<p>PART REF:</p> <p>CRH1</p> <p>CRH2</p> <p>CABLE RUNWAY HANGER</p>
<p>PART REF: AWS</p> <p>ANGLE WALL SUPPORT</p>	<p>PART REF: BWB</p> <p>BRACED WALL BRACKET</p>	<p>PART REF: 9SC</p> <p>90° SPLICE CONNECTOR</p>	