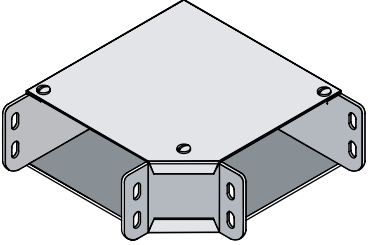
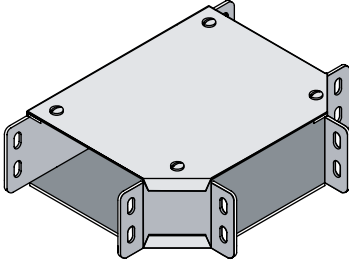
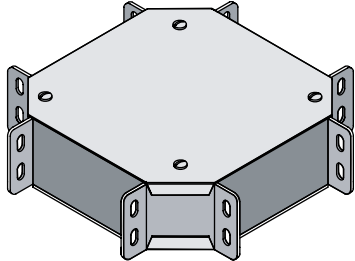
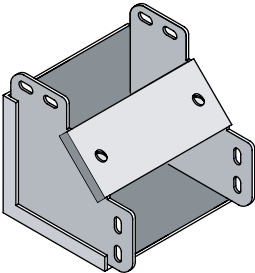
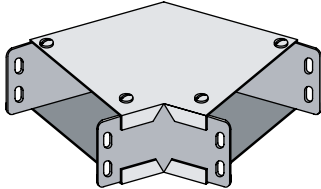
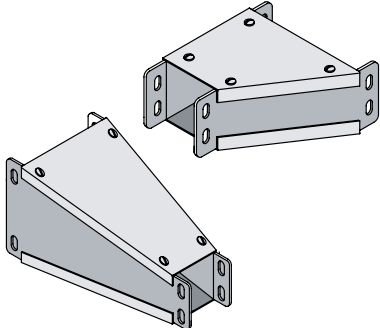
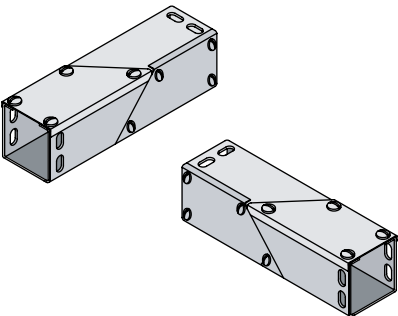
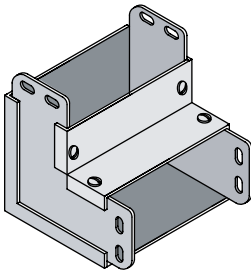
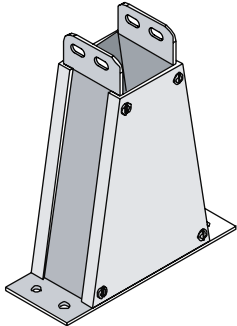


CABLE TRUNKING

FITTINGS

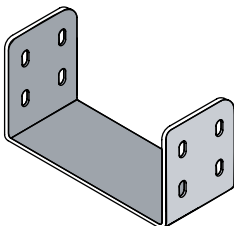
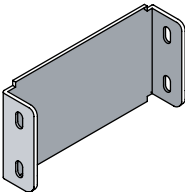
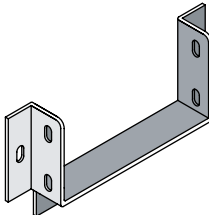
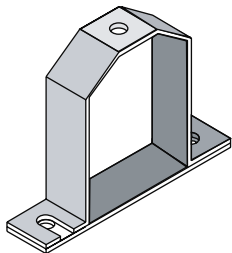
<p>Part Ref. : 9HB</p>  <p>90° HORIZONTAL BEND</p>	<p>Part Ref. : TH</p>  <p>HORIZONTAL TEE</p>	<p>Part Ref. : XH</p>  <p>HORIZONTAL CROSS</p>
---	---	---

<p>Part Ref. : 9R</p>  <p>90° INTERNAL RISER</p>	<p>Part Ref. : 4HB</p>  <p>45° HORIZONTAL BEND</p>	<p>Part Ref. : RH, LH & SR</p>  <p>REDUCER</p>
--	--	--

<p>Part Ref. : CFJ</p>  <p>CHANGE FACE JOINT</p>	<p>Part Ref. : 9NRE & 9NRI</p>  <p>90° NON-GUSSET RISERS</p>	<p>Part Ref. : BMA</p>  <p>BELL MOUNT ADAPTOR</p>
---	---	--

NOTE : ALL FITTINGS ARE SCREWFIX TYPE

ACCESSORIES

<p>Part Ref. : CS</p>  <p>STANDARD CONNECTOR</p>	<p>Part Ref. : SE</p>  <p>STOP END</p>	<p>Part Ref. : CB</p>  <p>BOX CONNECTOR</p>	<p>Part Ref. : HT</p>  <p>TRUNKING HANGER</p>
---	---	---	--