

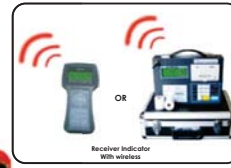
Crane Scale HA Series



Capacity 1T - 5T



Anti Heat Shield



Capacity 10T - 50T

Accurate and stable High safety and durability :

Upper ring stand with ductile cast steel made load cell is made from material whole piece with good toughness & elastic deformability tool steel for better safety characteristics.

Capacity Range : 300kg - 50Ton Accuracy up to 1/3000 safety overload 250% of the rated capacity ultimate overload 500% of the capacity super bright red led display, Clear, Bright and easy viewing.

Good supply with fast and stable display when under swinging. Attached with battery, No wire obstacle, easy & convenient for loading. 360° swivel Hook, reliable & stable when weighing.

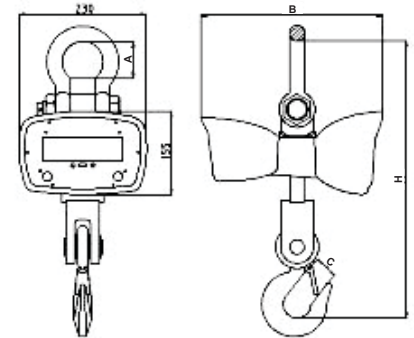
Standard Features

- Rugged Heavy duty design, cast Aluminium alloyed housing.
- Remote control, Heat shield (100° to 1600°)

Function

- ON/OFF, Change, Zero Set
- Display : 5 digit, 1.2" RED LED
- Zero Range : 4%FS.
- Max Safety Load : 125%FS.
- Ultimate load : 400%FS.

Capacity	5 Ton and over
Safe Distance	1000°C 1.5 Meters
Form Melting Objects	1200°C 1.5 Meters 1400°C 2.0 Meters 1600°C 2.5 Meters
Features	Use in high heat application



Model	A (mm)	B (mm)	C (mm)	H (mm)	Net Weight
HA 33-1T	90	280	40	580	16 kg
HA 33-2T	90	280	40	580	16 kg
HA 33-3T	90	280	40	580	16 kg
HA 33-5T	110	280	45	670	18 kg
HA 33-10T	130	280	60	700	20 kg

Construction

1. High special safety construction Load cell design to protect damage or in-accurate from overload : Both patented in Taiwan and U.S.A.
2. Load Cell connects to upper ring & Bottom Hook, with Non-screw safety design to prevent loosen or breakage problems.
3. Easy operated wireless remote control. (distance 15m)

Power Supply

- AC 230V +10% 50-30Hz & with built-in rechargeable battery backup.

Optional

Wireless communicator :

Can be connected to Indicator JX280 or JX680

Model	HA 600	HA 1T	HA 2T	HA 3T	HA 5T	HA 10T	HA 15T	HA 20T	HA 30T	HA 50T
Capacity	600 kg	1 Ton	2 Ton	3 Ton	5 Ton	10 Ton	15 Ton	20 Ton	30 Ton	50 Ton
Graduation	200 gm	200 gm	1 kg	1 kg	2 kg	5 kg	5 kg	10 kg	10 kg	20 kg
Display	Rechargeable Battery 6V/10Ah, Approx 100 Hours backup time.									
Power Supply	AC 230V + 10% 50-60Hz									

Specification are subject to change without prior notice. Images shown are for illustrations purpose only.

WORLD WIDE MARKETING

ACZET PVT. LTD.

Unit E2, Plot No. 15, WICEL Estate, Opp Seepz Gate Nol. 1, Andheri (E), Mumbai 400 093. (INDIA)
Tel. : +91-22-4243 7700 • Fax : +91-22-4243 7800 • E-mail : sales@aczel.com • Web : www.aczel.com