

Cast Steel Gate Valve

Product Range:

| | |
|--------------------------|---|
| Sizes | 2"-12" |
| Pressure Class / Rating | Standard |
| Material of Construction | ASTM A216 WCB, ASTM A217 WC6, ASTM A351 CF8, ASTM A351 CF8M, ASTM A351 CF3, ASTM A351 CF3M |
| Trim | 1 / 2 / 5 / 8 / 10 / 12 |
| Mode of Operation | Manual (Hand Wheel) |

Figure:

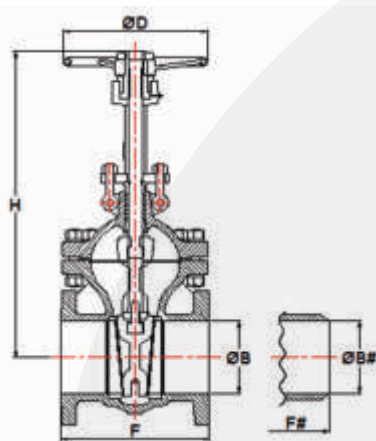


Table:

| Gate Valve (Cast) | | | | | | | |
|-------------------|-------|-----|-----|------|-----|-----|-------|
| Class | Sizes | F | Ø B | H | Ø D | F# | ØB# |
| 150 | 2" | 178 | 51 | 385 | 203 | 216 | 51 |
| | 3" | 203 | 77 | 460 | 254 | 282 | 78 |
| | 4" | 229 | 102 | 555 | 254 | 350 | 102 |
| | 6" | 267 | 153 | 812 | 356 | 403 | 154 |
| | 8" | 292 | 204 | 955 | 356 | 419 | 203 |
| | 10" | 330 | 254 | 1175 | 457 | 457 | 254.5 |
| | 12" | 356 | 305 | 1420 | 508 | 502 | 305 |
| 300 | 2" | 216 | 51 | 422 | 203 | 216 | 51 |
| | 3" | 282 | 77 | 525 | 254 | 282 | 78 |
| | 4" | 305 | 102 | 635 | 254 | 305 | 102 |
| | 6" | 403 | 153 | 856 | 356 | 403 | 154 |
| | 8" | 419 | 204 | 1076 | 356 | 419 | 203 |
| | 10" | 457 | 254 | 1270 | 457 | 457 | 254.5 |
| | 12" | 502 | 305 | 1455 | 508 | 502 | 305 |
| 600 | 2" | 292 | 51 | 450 | 203 | 292 | 51 |
| | 3" | 356 | 77 | 552 | 254 | 356 | 73.5 |
| | 4" | 432 | 102 | 659 | 254 | 432 | 97 |
| | 6" | 559 | 153 | 902 | 356 | 559 | 146.5 |
| | 8" | 660 | 204 | 1088 | 356 | 660 | 193.5 |
| | 10" | 787 | 254 | 1289 | 457 | 787 | 243 |
| | 12" | 838 | 305 | 1572 | 508 | 838 | 289 |

Note: Class 900, 1500 & 2500 and sizes above 12" can be offered, Details shall be provided on request



Design Features:

- ▲ Pressure Rating Class 150, 300, 600 as per ASME B16.34
- ▲ Bolted Bonnet Construction
- ▲ Complies to API 600
- ▲ Flexible Wedge
- ▲ Deep Stuffing Box
- ▲ Wedge guide throughout stroke
- ▲ Offer Carbon Steel, Stainless Steel, Alloy steel & Low temperature steel Material.
- ▲ 13%CR/Stellite Hard faced seats.
- ▲ Spiral Wound Gasket & Packing
- ▲ Testing as per API 598
- ▲ Corrugated / Graphite Gasket for #150

Variants on Request:

- ▲ Lantern Ring Arrangement
- ▲ Special Class
- ▲ Stem Protector
- ▲ Drain Plug
- ▲ Position Indicator
- ▲ Locking Arrangement
- ▲ Motorized Operation

Forged Steel Gate Valve

Product Range:

| | |
|--------------------------|---|
| Sizes | ½" - 2" |
| Pressure Class / Rating | Standard |
| Material of Construction | ASTM A105, ASTM A182 F22, ASTM A182 F304, ASTM A182 F304L, ASTM A182 F316, ASTM A182 F316L, ASTM A182 F51 |
| Trim | 1 / 2 / 5 / 8 / 10 / 12 |
| Mode of Operation | Manual (Hand Wheel) |

Figure:

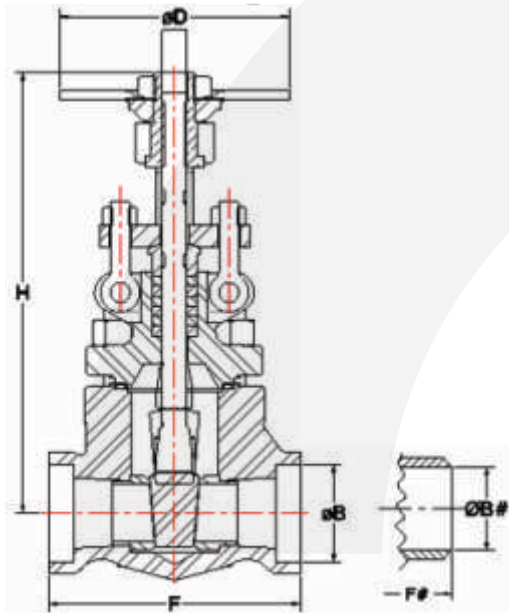


Table:

| Gate Valve (Forged) | | | | | | | |
|---------------------|-------|-----|------|-----|-----|-----|------|
| Class | Sizes | F | ØB | H | ØD | F# | B# |
| 800 | 1/2 | 78 | 21.8 | 179 | 110 | 78 | 12.7 |
| | 3/4 | 78 | 27.2 | 186 | 110 | 78 | 19.1 |
| | 1 | 100 | 33.9 | 200 | 110 | 100 | 25.4 |
| | 1¼ | 135 | 42.7 | 282 | 160 | 135 | 31.8 |
| | 1½ | 135 | 48.8 | 281 | 160 | 135 | 38.1 |
| | 2 | 160 | 61.2 | 308 | 160 | 160 | 50.8 |

Note: Class 1500 & 2500 can be offered, Details shall be Provided on request



Design Features:

- ▲ Pressure Rating Class 800, 1500, 2500 as per ASME B16.34
- ▲ Bolted Bonnet Construction for class 800 & 1500
- ▲ Screwed, welded or pressure seal bonnet construction for Class 1500 & 2500
- ▲ Complies to API 602 & ISO-15761
- ▲ Solid Wedge
- ▲ Deep Stuffing Box
- ▲ Wedge guide throughout stroke
- ▲ Offer Carbon Steel, Stainless Steel, Alloy steel Material.
- ▲ 13%CR/Stellite Hard faced seats.
- ▲ Spiral Wound Gasket & Packing
- ▲ Testing as per API 598

Variants on Request:

- ▲ Flanged End Design to # 150/300 & 600
- ▲ Special Class
- ▲ Stem Protector
- ▲ Position Indicator
- ▲ Locking Arrangement
- ▲ Motorized Operation