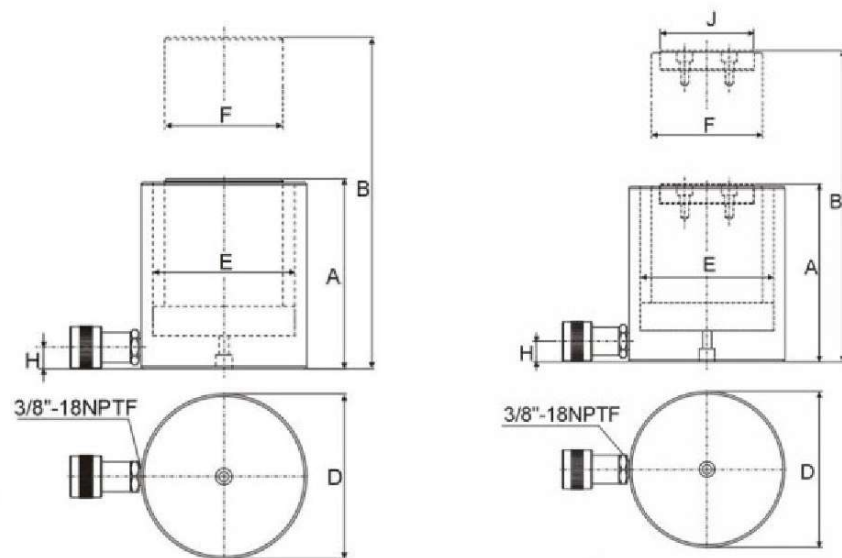


GENERAL PURPOSE JACKS



MT - G Series Jacks (Single Acting)

- ※ Designed for use in all positions.
- ※ Hard chrome plated plunger and inner of barrel resists wear and corrosion, it also be more closed and extending cylinder life.
- ※ Maximum sized springs speed piston return and increase spring life.
- ※ Plunger wiper reduces contaminant.
- ※ Stop ring for piston blow-out protection.
- ※ Powder coat finish for increased corrosion resistance and antirust.
- ※ SQB-3/8UF coupler and dust cap are included on all models.



Stroke above to 50mm model.



Removable strap handles

Handle type	
(S)	: standard equipped
(O)	: option
●	Weldable
★	Eyebolt
▲	Removable strap handle
■	Thread



Handle type	Model Number	Cylinder Capacity	Stroke	Effective Area	Oil Capacity	Collapsed Height	Extended Height	Outside Diam.	Cylinder Bore Diam.	Plunger Diam.	Base to Adv. Port	Saddle Diam.	Weight
(O) (S)	MT	ton (kN)	(mm)	(cm ²)	(cm ³)	A (mm)	B (mm)	D (mm)	E (mm)	F (mm)	H (mm)	J (mm)	(kg)
	G 10-25	10 (101)	25.0	14.46	36.1	80.0	105.0	70.0	42.93	38.1	19.5	—	2.4
	G 10-50		50.0	14.46	72.3	130.0	180.0	57.0	42.93	38.1	19.5	—	2.5
	G 10-75		75.0	14.46	108.4	155.0	230.0	57.0	42.93	38.1	19.5	35	3.1
	G 10-100		100.0	14.46	144.6	180.0	280.0	57.0	42.93	38.1	19.5	35	3.4
	G 10-125		125.0	14.46	180.7	205.0	330.0	57.0	42.93	38.1	19.5	35	4.0
	G 10-150		150.0	14.46	216.9	230.0	380.0	57.0	42.93	38.1	19.5	35	4.2
	G 20-25	20 (198)	25.0	28.26	70.7	80.0	105.0	90.0	60.00	50.00	17.0	—	3.7
●	G 20-50		50.0	28.26	141.3	135.0	185.0	79.0	60.00	50.00	22.0	—	4.9
●	G 20-75		75.0	28.26	212.0	160.0	235.0	79.0	60.00	50.00	22.0	40	5.6
●	G 20-100		100.0	28.26	282.6	185.0	285.0	79.0	60.00	50.00	22.0	40	6.3
●	G 20-125		125.0	28.26	353.3	210.0	335.0	79.0	60.00	50.00	22.0	40	7.0
●	G 20-150		150.0	28.26	423.9	235.0	385.0	79.0	60.00	50.00	22.0	40	7.7
	G 30-25	30 (294)	25.0	42.00	105.0	85.0	110.0	100.0	73.15	57.15	18.0	—	5.0
●	G 30-50		50.0	42.00	210.0	145.0	195.0	100.0	73.15	57.15	22.5	—	7.6
●	G 30-75		75.0	42.00	315.0	170.0	245.0	100.0	73.15	57.15	22.5	49.5	7.8
●	G 30-100		100.0	42.00	420.0	195.0	295.0	100.0	73.15	57.15	22.5	49.5	8.9
●	G 30-125		125.0	42.00	525.0	220.0	345.0	100.0	73.15	57.15	22.5	49.5	10.0
●	G 30-150		150.0	42.00	630.0	245.0	395.0	100.0	73.15	57.15	22.5	49.5	11.0
●	G 50-25	50 (498)	25.0	71.21	178.0	95.0	120.0	127.0	95.25	79.50	24.0	—	8.8
●	G 50-50		50.0	71.21	356.0	120.0	170.0	127.0	95.25	79.50	24.0	—	10.5
●	G 50-75		75.0	71.21	534.0	190.0	265.0	127.0	95.25	79.50	32.0	70	16.8
●	G 50-100		100.0	71.21	712.0	215.0	315.0	127.0	95.25	79.50	32.0	70	18.2
●	G 50-125		125.0	71.21	890.1	240.0	365.0	127.0	95.25	79.50	32.0	70	19.9
●	G 50-150		150.0	71.21	1068.1	265.0	415.0	127.0	95.25	79.50	32.0	70	21.4
▲	G 100-25	100 (933)	25.0	133.27	333.1	100.0	125.0	177.0	130.30	104.90	20.0	—	16.9
▲	G 100-50		50.0	133.27	666.3	160.0	210.0	177.0	130.30	104.90	30.0	84	26.8
▲	G 100-100		100.0	133.27	1332.7	204.0	304.0	177.0	130.30	104.90	30.0	84	36.8
▲	G 100-125		125.0	133.27	1666.8	235.0	360.0	177.0	130.30	104.90	30.0	84	40.6
▲	G 100-150		150.0	133.27	1999.0	260.0	410.0	177.0	130.30	104.90	30.0	84	44.3
▲	★ G 150-50	150 (1407)	50.0	200.96	1004.8	200.0	250.0	215.0	160.00	115.00	50.0	99	50.2
▲	★ G 150-100		100.0	200.96	2009.6	250.0	350.0	215.0	160.00	115.00	50.0	99	60.0
▲	★ G 150-150		150.0	200.96	3014.4	300.0	450.0	215.0	160.00	115.00	50.0	99	68.9
▲	★ G 200-50	200 (1984)	50.0	283.38	1416.9	200.0	250.0	255.0	190.00	135.00	50.0	115	71.6
▲	★ G 200-100		100.0	283.38	2833.0	250.0	350.0	255.0	190.00	135.00	50.0	115	85.0
▲	★ G 200-150		150.0	283.38	4250.7	300.0	450.0	255.0	190.00	135.00	50.0	115	98.5