

QUIET-RUNNING COUNTERFLOW SYSTEM PUMPS

Applications:
Adjustable counterflow for swimming training



Front Panel Can Be Chosen

Air pipe

Control switch

STP

Single-stage centrifugal pumps with complete drainage device.

Inbuilt counterflow system:

This jet stream is ready for easy installation. It is possible to regulate the jet strength and air suction on the nozzle of 40 mm in diameter, which is directionally adjustable. The nozzle, suction and pneumatic switch are positioned in the front cover panel of the equipment. Complete counterflow system includes:
Counterflow nozzle 40 mm (regulation water-air)
Front cover panel-attractive design
Pool wall lead-through
Pump
Electropneumatic switch with safety element
PVC fitting

Motor:

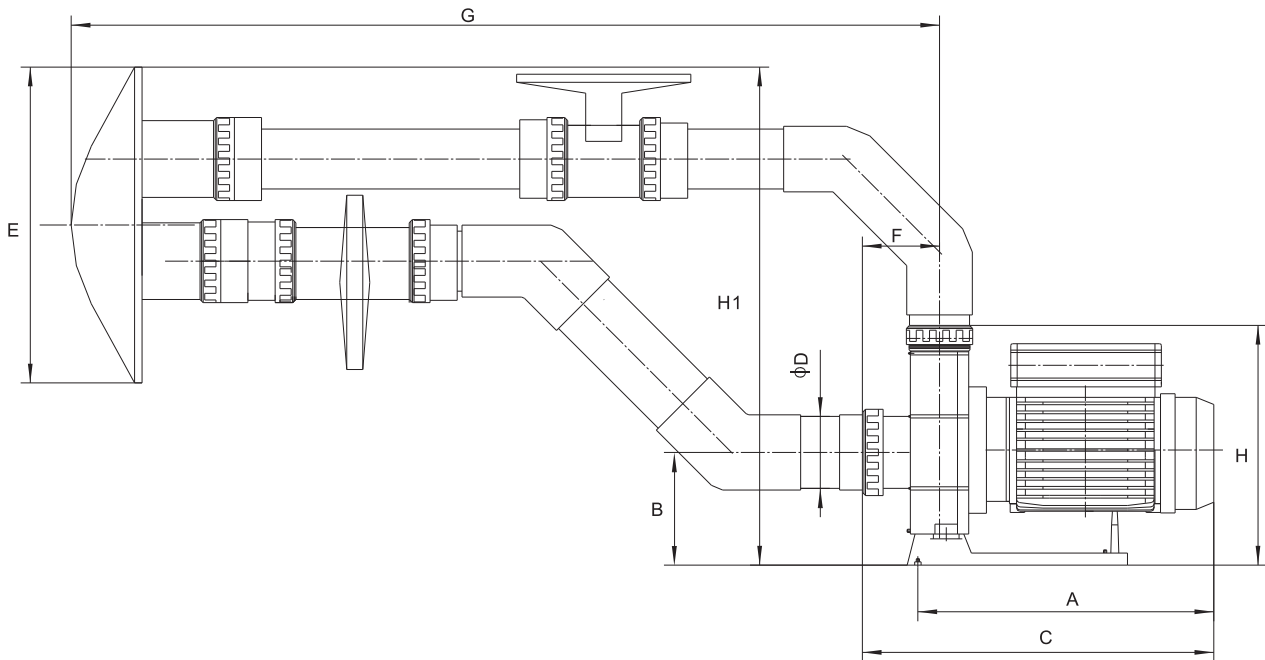
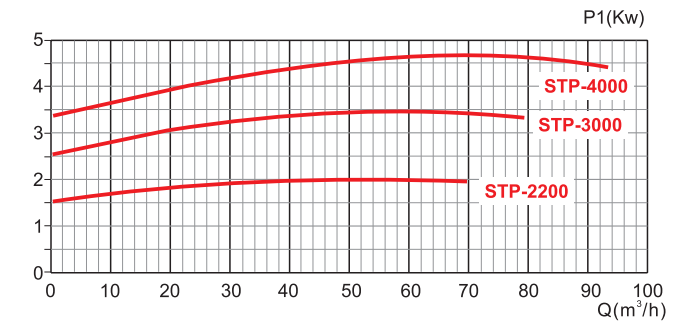
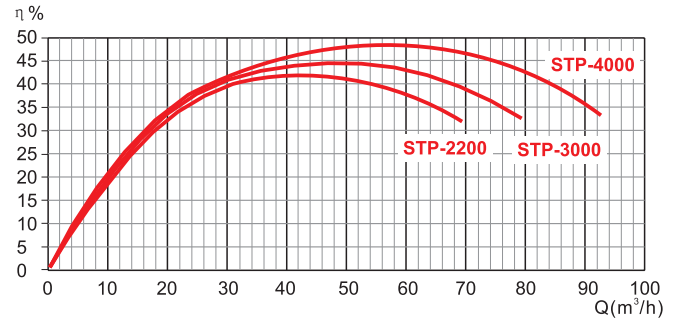
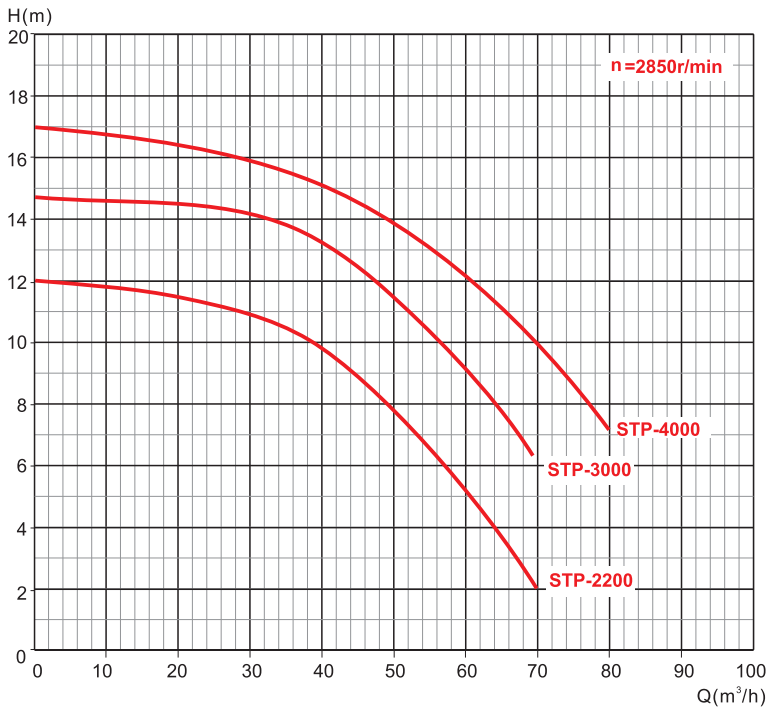
Asynchronous, two poles.
IP 55 protection.
Class F insulation.
Continuous operation.

Materials:

Suction and discharge mountings in polypropylene.
Motor shaft in stainless steel AISI-304.
Impeller in PPO.
Mechanical seal in graphite and steatite.
Motor housing in aluminum L-2521.

TECHNICAL DATA

Model	HP	KW	V		A		P1(KW)	Q	L/min m³/h	H(m)	0	333.3	500	666.7	833.3	1000	1166.7	1333.3	
			1~	3~	1~	3~					0	20	30	40	50	60	70	80	
			50HZ	50HZ	220	380													
STP-2200	3	2.2	220	380	15	4.9	2.8		12	11.7	10.5	9.8	7.9	5.8	2.1				
STP-3000	4	3		380		6.4	3.6		14.5	14.2	14	13.4	11.5	9.5	6.7				
STP-4000	5.5	4		380		8.3	4.7		17	16.2	16	15.3	13.8	12.5	9.5	7.5			

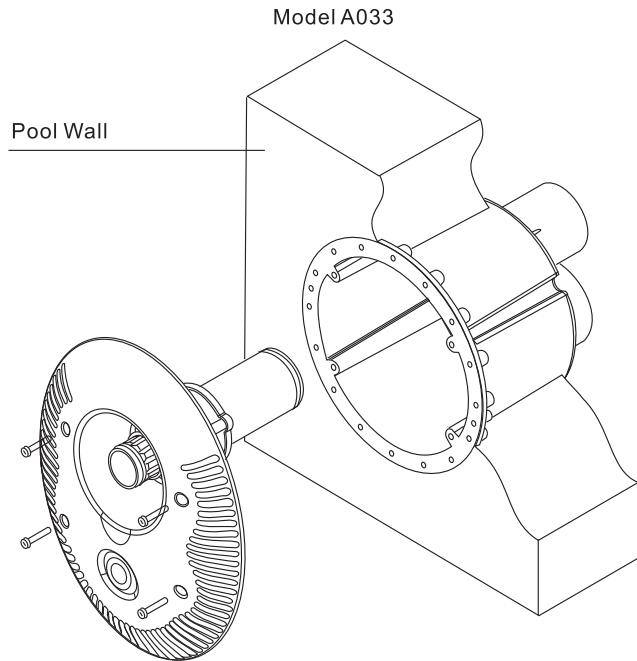


DIMENSIONS

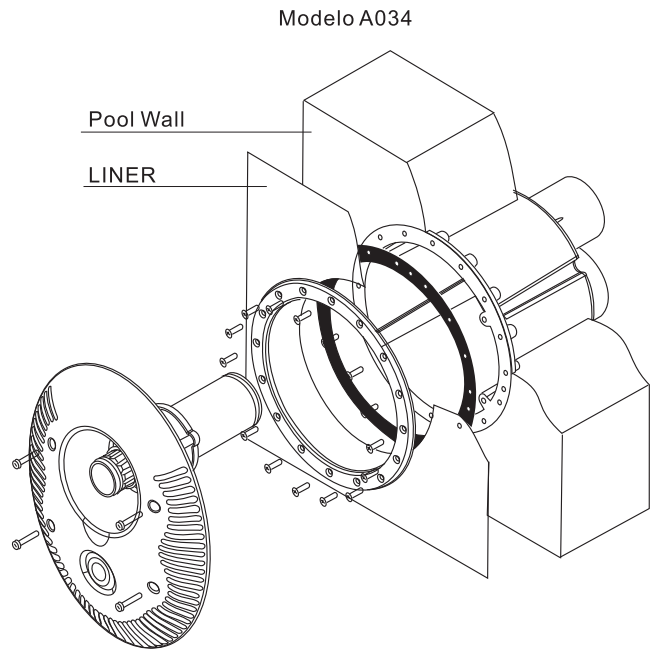
Model	A	B	C	D	E	F	G	H	H1
STP-2200	370	156	440	Φ 75	395	77	1110	340	635
STP-3000	410	156	470	Φ 75	395	77	1110	340	635
STP-4000	440	156	500	Φ 75	395	77	1110	340	635

STP COUNTERGLOW JET

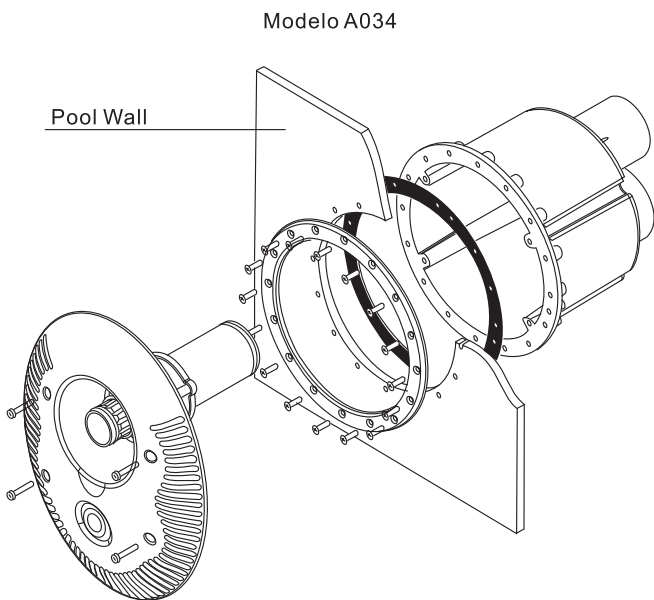
INSTALLATION IN CONCRETE SWIMMING POOLS



INSTALLATION IN CONCRETE SWIMMING POOLS WITH LINER



INSTALLATION IN PREFABRICATED SWIMMING POOLS



INSTALLATION IN PANELLED SWIMMING POOLS WITH LINER

