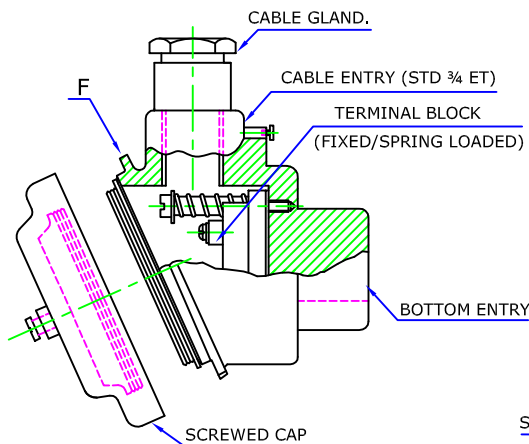
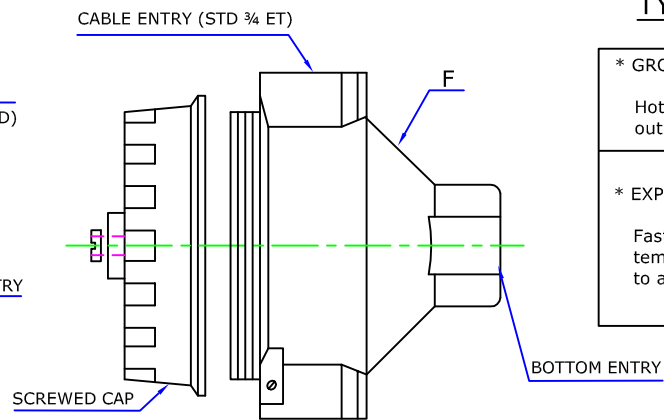


MINERAL INSULATED METAL SHEATHED ASSEMBLIES



WEATHERPROOF HEAD
IP-65 APPROVED



PROTECTION HEAD
FLAMEPROOF SUITABLE FOR
GAS GROUP GR I, IIA & IIB.

TYPE OF MEASURING JUNCTION CONFIGURATION

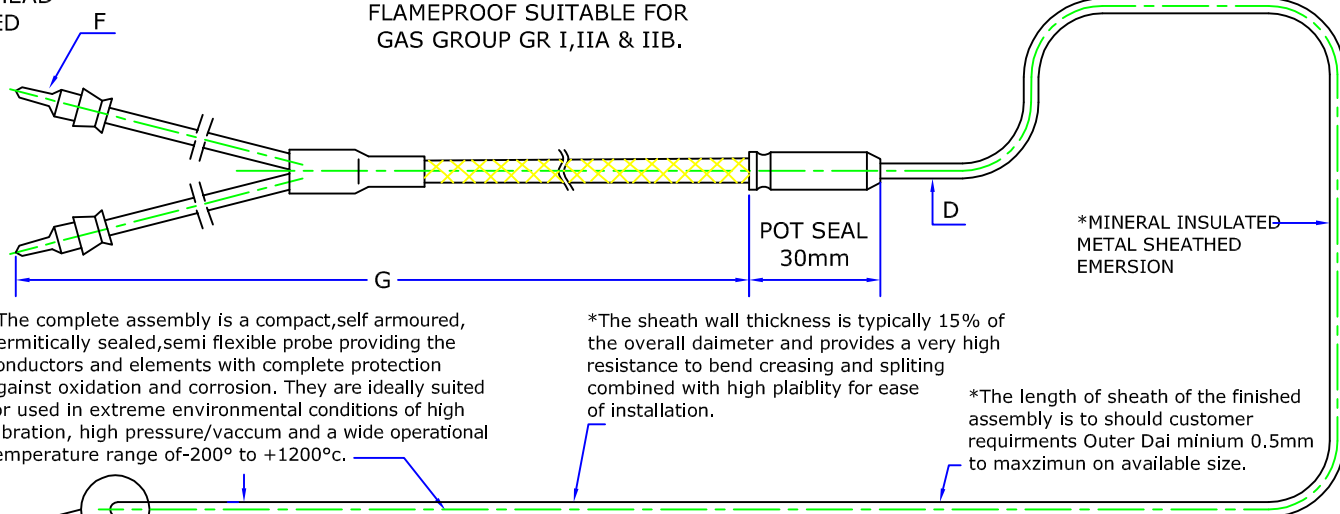
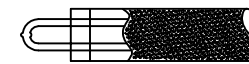
* GROUNDED:

Hot junction welded to sheath tip giving earthed output and faster response to temperature changes.



* EXPOSED:

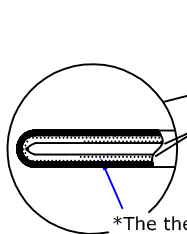
Fasted response mainly for the measurement of air temperature in ducts and continuous ovens. Restricted to a maximum operating temperature of 600°C.



*The complete assembly is a compact, self armoured, hermetically sealed, semi flexible probe providing the conductors and elements with complete protection against oxidation and corrosion. They are ideally suited for used in extreme environmental conditions of high vibration, high pressure/vacuum and a wide operational temperature range of -200° to +1200°C.

*The sheath wall thickness is typically 15% of the overall diameter and provides a very high resistance to bend creasing and splitting combined with high pliability for ease of installation.

*The length of sheath of the finished assembly is to should customer requirements Outer Dia minimum 0.5mm to maximum on available size.



*The thermocouple junction is arc welded in an inert atmosphere the junction may be insulated from the sheath, bonded to it or may be exposed from the sheath depending upon the application.

*The conductors and element are insulated by very highly compact magnesium oxide powder the insulation resistance between the sheath & conductors is in excess of 100 mega ohms

- * High integrity construction suited to hazardous operation conditions at temperature from - 200°C to 1200°C.
- * High accuracy and stability maintained throughout operation life.
- * Wide variety of termination options. (Extension cable WP/FLP/SS Head etc.)
- * Fast response and high insulating resistance.
- * Low cost and prompt delivery of single and duplex assemblies.
- * Available in K, T, J, R, S & B with sheath diameters from 0.5 mm to availability and lengths from a few mm to as per customer requirement.
- * Sheaths can be bent, twisted and flattened to suit particular installations without impairing performance.

- A. Type of sensor.
- B. Operating temp.
- C. Immersion Dia.
- D. Immersion length.
- E. Sheath Material.
- F. Termination head or Extension cable.
- G. Cable length & Insulation Type.
- H. Type of Junction.